

# Instructions for Parts Books

The heading at the top of the page will be the same for the picture of the parts as it is for the page with the part numbers.

Definition of column headings on part number pages:

**REF.No** → The number referring to the part on the picture page of the parts book.

**Part No.** → The number assigned to this part at the time of printing the parts book.

**Description** → Description of part.

**Q'ty** → Quantity of part used on that page.

**S.No.** → Serial number range of the equipment that this part will fit.

>= Your serial number should be greater than or equal to the number shown.

<= Your serial number should be lesser than or equal to the serial number shown.

**I/C** → Interchangeability of part shown.

↔ The part shown will work for the older and later serial number.

# The part shown is not interchangeable with the other serial number.

← new for old

→ old for new

**Remarks** → Notes about this particular part. Sometimes this may say except [FR] or [CA]

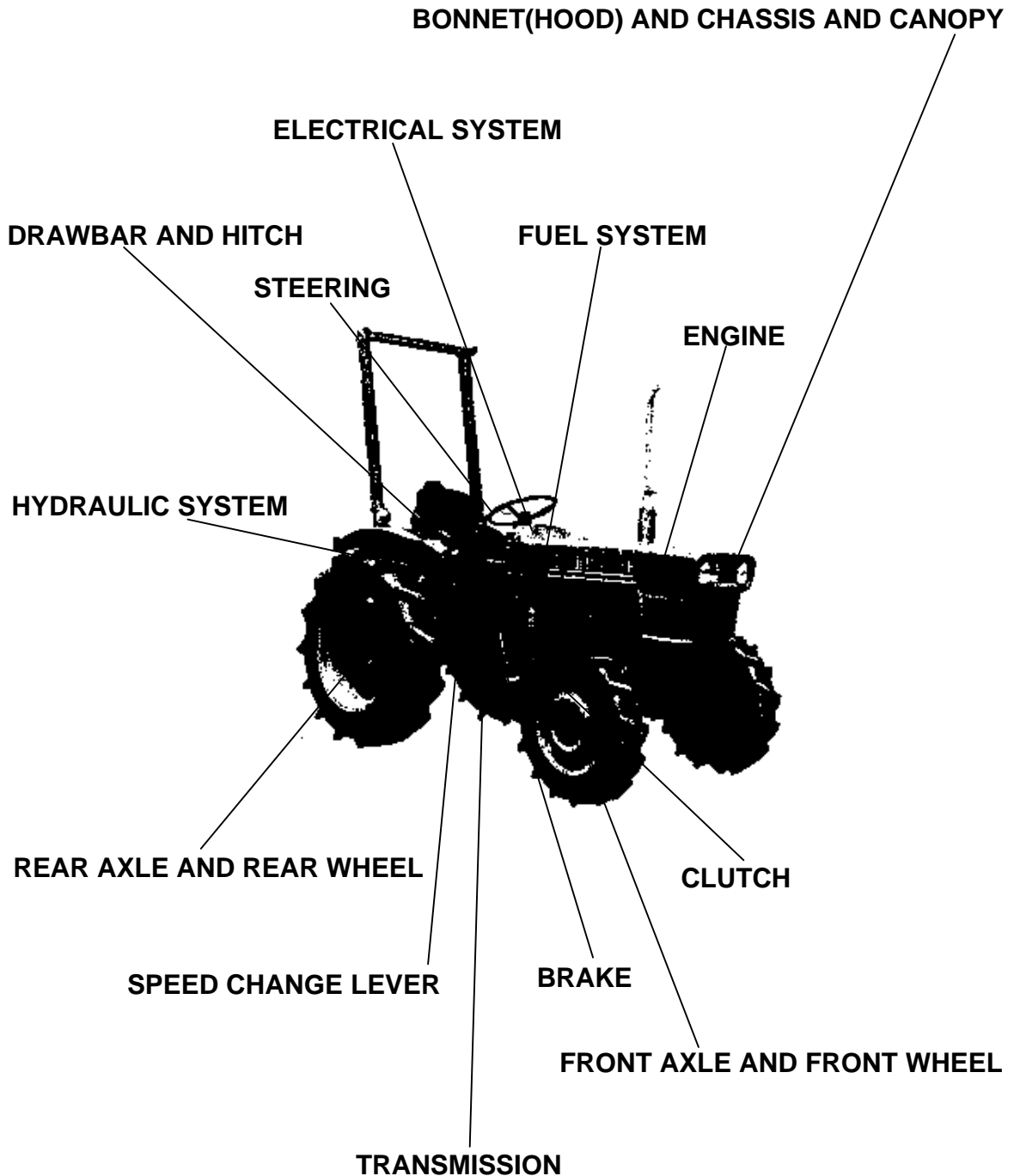
## Note about Country Codes:

The parts books we use in the United States of America may also contain information about a part that would be different in another country. It is important that you are aware of the country codes in some instances.

Symbol	Country
A	United States of America
CA	Canada
FR	France
GR	Greece
PO	Portugal
AU	Australia

If the remarks column says for example EXCEPT [FR] this part works in all countries except France. That means it will work here in the USA.

ALL PRODUCT INDEX  
L245F

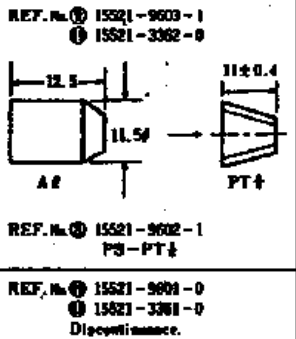
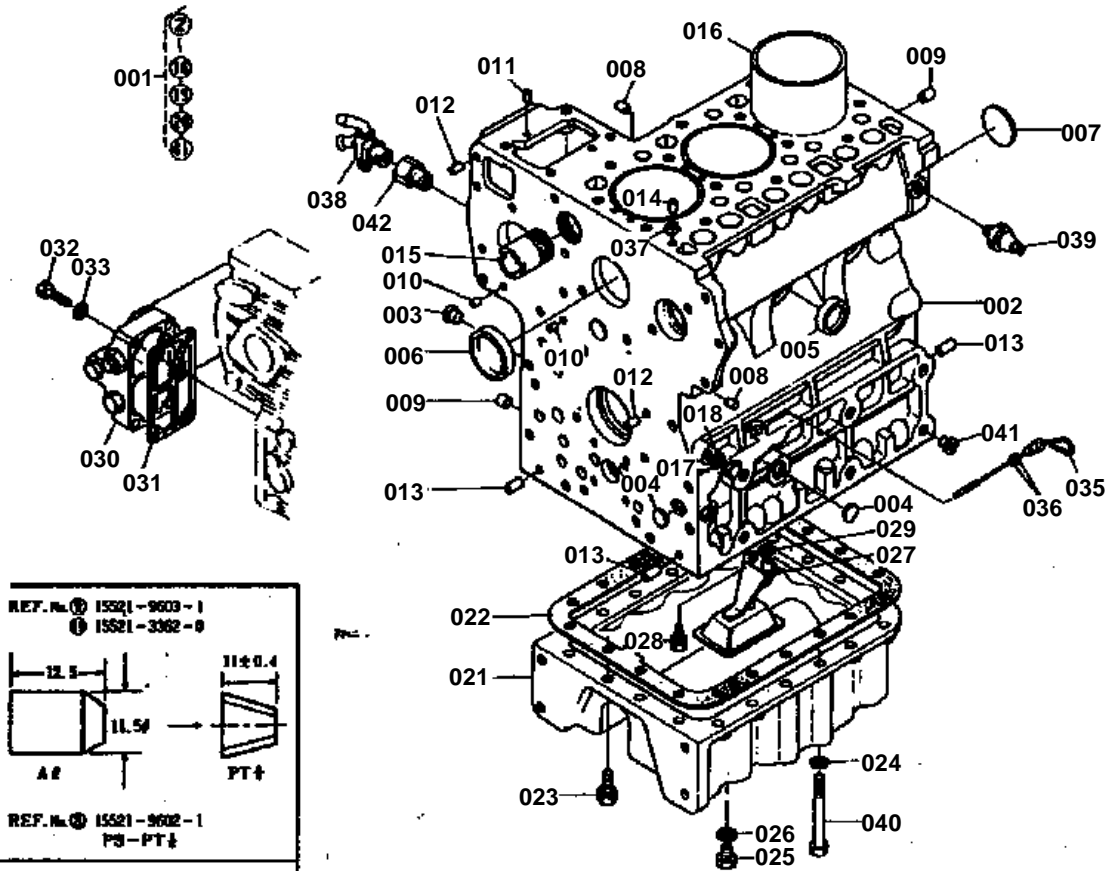


ACCESSORIES

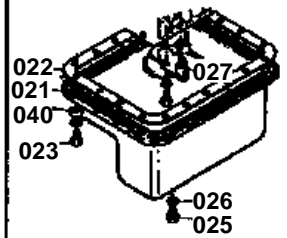
Item	Part No.	Description	Book	
ENGINE	01001	CRANKCASE	100K0130	
	01002	CYLINDER HEAD	100K0130	
	01003	GEAR CASE	100K0130	
	01004	BEARING CASE	100K0130	
	01005	BREATHER	100K0130	
	01006	AIR CLEANER	100K0130	
	0100701	MUFFLER [L245DT]	100K0130	
	0100702	MUFFLER [L245]	100K0130	
	01008	VALVE,ROCKER ARM	100K0130	
	01009	HEAD COVER	100K0130	
	01010	CAMSHAFT	100K0130	
	01011	PISTON CRANKSHAFT	100K0130	
	01012	FLYWHEEL	100K0130	
	01013	NOZZLE HOLDER	100K0130	
	01014	FUEL CAMSHAFT	100K0130	
	01015	SPEED CONTROL PLATE	100K0130	
	01016	GOVERNOR	100K0130	
	01017	DYNAMO	100K0130	
	01018	RADIATOR	100K0130	
	01019	WATER PUMP	100K0130	
	01020	NAME PLATE	100K0130	
	01063	OIL FILTER 2 [SECTION PARTS]	100K0130	
	01064	STARTER	100K0130	
	01065	NOZZLE HOLDER	100K0130	
	01066	INJECTION PUMP	100K0130	
	01067	DYNAMO	100K0130	
	FRONT AXLE AND FRONT WHEEL	01021	FRONT WHEEL [L245]	100K0130
		01022	FRONT WHEEL DRIVE	100K0130
		01023	FRONT AXLE	100K0130
	ELECTRICAL SYSTEM CLUTCH	01024	BATTERY	100K0130
		01025	CLUTCH HOUSING	100K0130
	STEERING	01026	CLUTCH	100K0130
		01027	CLUTCH PEDAL	100K0130
	SPEED CHANGE LEVER	01028	STEERING	100K0130
	BONNET(HOOD) AND CHASSIS AND CANOPY	01029	HAND ACCEL	100K0130
	ELECTRICAL SYSTEM	01030	BONNET	100K0130
BONNET(HOOD) AND CHASSIS AND CANOPY	01031	MIRROR LAMP	100K0130	
TRANSMISSION	01032	SEAT	100K0130	
SPEED CHANGE LEVER	01033	TRANSMISSION CASE	100K0130	
	01034	GEAR DRIVE SYSTEM 1	100K0130	
	01035	GEAR DRIVE SYSTEM 2	100K0130	
	01036	GEAR DRIVE SYSTEM 3	100K0130	
	01037	SPEED CHANGE SYSTEM 1	100K0130	
	01038	SPEED CHANGE SYSTEM 2	100K0130	
REAR AXLE AND REAR WHEEL	01039	CHANGE LAVER	100K0130	
	01040	DIFFERENTIAL SYSTEM 1	100K0130	
	01041	DIFFERENTIAL SYSTEM 2	100K0130	
	01042	REAR AXLE	100K0130	
BRAKE	01043	AXLE CASE	100K0130	
	01044	BRAKE	100K0130	
	01045	BRAKE PEDAL	100K0130	
BONNET(HOOD) AND CHASSIS AND CANOPY	0104602	FENDER [U.S.A]	100K0130	
ELECTRICAL SYSTEM	01047	ELECTICAL 1	100K0130	
	01048	ELECTICAL 2	100K0130	
	01049	ELECTICAL 3	100K0130	
FUEL SYSTEM	01050	FUEL TANK	100K0130	
HYDRAULIC SYSTEM	01051	FUEL FILTER	100K0130	
	01052	OIL PRESSURE 1	100K0130	
	01053	OIL PRESSURE 2	100K0130	
	01054	O/P CYLINDER	100K0130	

Item	Part No.	Description	Book
HYDRAULIC SYSTEM	01055	O/P LIFT ARM SYSTEM	100K0130
	01068	OIL PRESSURE PUMP	100K0130
	01069	CONTROL VALVE	100K0130
	01070	RELIEF VALVE	100K0130
STEERING	01071	DRAG LINK [INTEGRAL POWER STEERING]	100K0130
	01073	POWER STEERING [INTEGRAL POWER STEERING]	100K0130
	01074	FLOW PRIORITY VALVE [INTEGRAL POWER STEERING]	100K0130
	01075	FUEL TANK [INTEGRAL POWER STEERING]	100K0130
	01076	OIL PRESSURE [INTEGRAL POWER STEERING]	100K0130
	01077	STEERING JOINT [INTEGRAL POWER STEERING]	100K0130
DRAWBAR AND HITCH	01078	3-POINT LINKAGE [3P]	100K0130
ACCESSORIES	01079	ACCESSORIES AND SERVICE PARTS	100K0130

# CRANKCASE



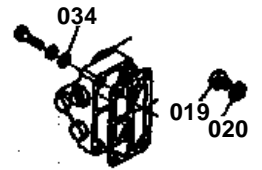
REF. No. ① SPCC-FC25  
 ② 15341-0182-0  
 ③ 25F-334  
 ④ 15291-3211-0



REF. No. ① 15341-0181-0



REF. No. ① 15221-3375-0  
 ② 15100-3396-0  
 ③ 04012-50000



Discontinua.

**CRANKCASE**

↔ Interchangeable; ≠ not interchangeable; ← new for old; → old for new

REF.No	Part No.	Description	Q'ty	S.No.	I/C	REMARKS	Weight (kgf)	Weight (lb)
001	15341-01010	ASSY CRANKCASE	1	<=14147			0	0
001	15341-01013	ASSY CRANKCASE	1	>=14148			55	121
002	99999-99999	BLANK	0			ORDER BY REF.No.001	0	0
003	34150-27580	PLUG	5	<=14147			0.001	0.0022
003	34150-27580	PLUG	1	>=14148			0.001	0.0022
004	06311-75015	PLUG,EXPANSION	3				0.002	0.0044
005	15221-03380	CAP,SEALING	5				0.017	0.0374
006	15221-03390	CAP,SEALING	2				0.03	0.066
007	06311-75045	PLUG,EXPANSION	1				0.026	0.0572
008	15221-33630	PLUG,PIN	5	<=14147			0.001	0.0022
008	15221-33630	PLUG,PIN	4	>=14148			0.001	0.0022
008	15521-96020	PLUG,PIN	5				0.003	0.0066
009	15221-33640	PLUG,PIN	1				0.003	0.0066
009	15521-96030	PLUG	2				0.007	0.0154
010	05012-00408	PIN,STRAIGHT	2				0.001	0.0022
011	05012-00609	PIN,STRAIGHT	2				0.003	0.0066
012	05012-00612	PIN,STRAIGHT	2				0.003	0.0066
013	05012-01018	PIN,STRAIGHT	3				0.012	0.0264
014	15221-33650	PIN,PIPE	1				0.004	0.0088
015	15221-72840	PIPE,WATER	1				0.078	0.1716
016	15221-02310	LINER,CYLINDER	3				0.58	1.276
017	15221-33610	PLUG	1				0.009	0.0198
018	15021-33660	GASKET	1				0.001	0.0022
019	15221-33750	PLUG	1	<=14147			0.032	0.0704
019	15521-33630	PLUG	1	>=14148			0.003	0.0066
019	15521-33620	PLUG	1				0.004	0.0088
019	15521-96010	PLUG	1				0.01	0.022
020	15109-33660	GASKET	1	<=14147			0.001	0.0022
021	15341-01610	OIL PAN	1				1.62	3.564
021	15301-01610	OIL PAN	1				11.4	25.08
022	15341-01620	GASKET,OIL PAN	1	<=6028			0	0
022	15301-01620	GASKET,OIL PAN	1				0	0
023	01173-51025	BOLT	20	>=5029			0.021	0.0462
023	01173-51035	BOLT	16				0.025	0.055
023	01133-51035	BOLT	16	>=1001			0.03	0.066
024	04512-50100	WASHER,SPRING	20				0	0
024	04512-50100	WASHER,SPRING	4	>=1001			0	0
025	15221-33750	PLUG	1				0.032	0.0704
025	15221-33750	PLUG	2				0.032	0.0704
026	15109-33660	GASKET	1	<=6028			0.001	0.0022
026	15109-33660	GASKET	2				0.001	0.0022
027	15291-32110	FILTER,OIL	1	>=6029			0.17	0.374
027	15301-32110	FILTER,OIL	1				0.23	0.506
028	01053-50816	BOLT	1				0.011	0.0242
028	01123-50816	BOLT	1	>=1001			0.011	0.0242
029	04811-00140	O RING	1				0.001	0.0022
030	15213-32020	ASSY FILTER,OIL 2	1				0.89	1.958
031	15213-32320	GASKET	1				0	0
032	01053-50842	BOLT	4				0.019	0.0418
032	01153-50842	BOLT	4	>=1001			0.018	0.0396
033	04512-50080	WASHER,SPRING	5				0	0
033	04512-50080	WASHER,SPRING	4	>=1001			0	0
034	04012-50080	WASHER,PLAIN	4	<=14147			0.001	0.0022
035	15342-36410	GAUGE,OIL	1				0.025	0.055
036	04811-00050	O RING	2				0.001	0.0022
037	15221-33700	O RING	1				0.001	0.0022
038	14412-73110	ASSY COCK,DRAIN	1				0.09	0.198
039	15221-39010	SWITCH,OIL	1				0	0
040	15201-94010	WASHER,PLAIN	20	<=6028			0.007	0.0154

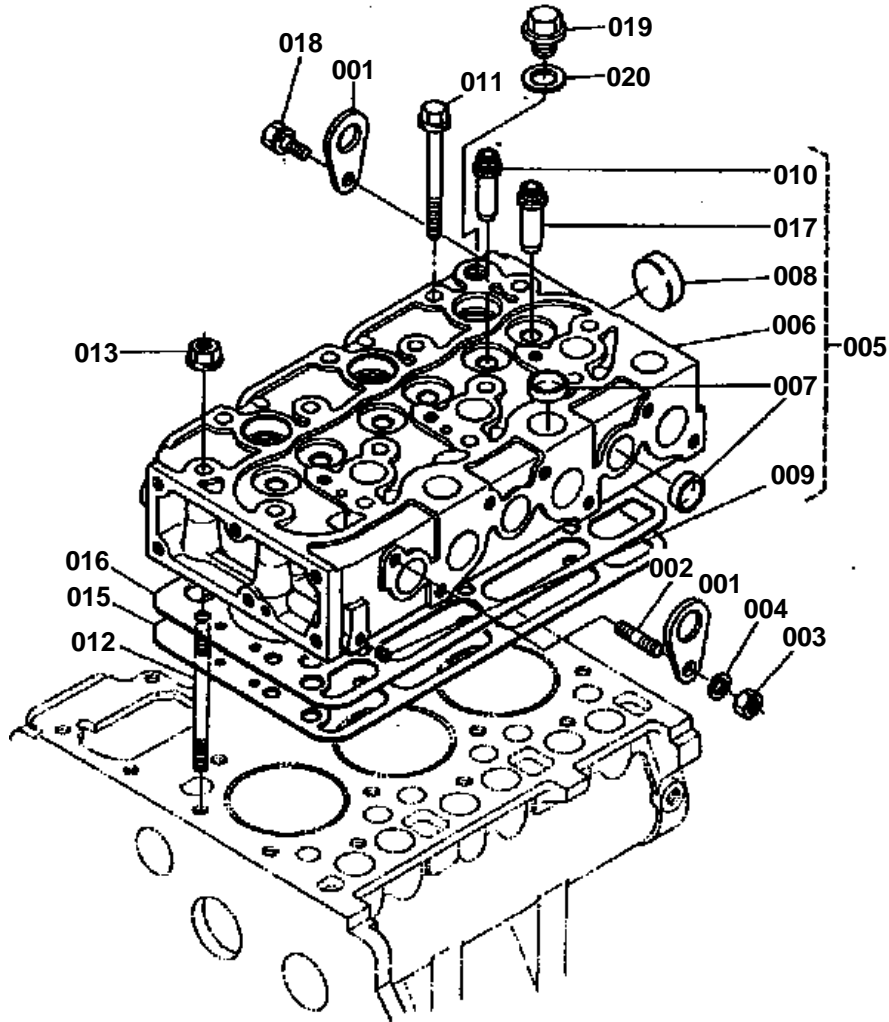


# CRANKCASE

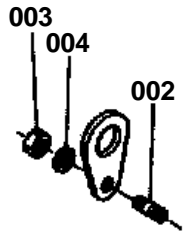
↔ Interchangeable; ≠ not interchangeable; ← new for old; → old for new

REF.No	Part No.	Description	Q'ty	S.No.	I/C	REMARKS	Weight (kgf)	Weight (lb)
040	15411-91010	BOLT	4	>=6029			0	0
041	32210-27580	PLUG	8	>=14148			0.001	0.0022
042	15291-73160	JOINT,DRAIN COCK	1	>=14148			0.04	0.088
043	15521-33610	PLUG	1				0.002	0.0044

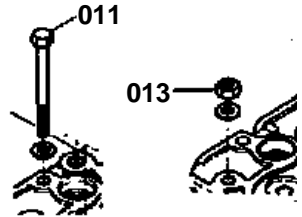
CYLINDER HEAD



REF. No. ① 01513 - 50816  
 ② 02056 - 50080  
 ③ 04572 - 50080



REF. No. ① 15221 - 0345 - 0  
 ② 15221 - 0351 - 0



REF. No. ① 15221 - 0354 - 0



Discontinues.



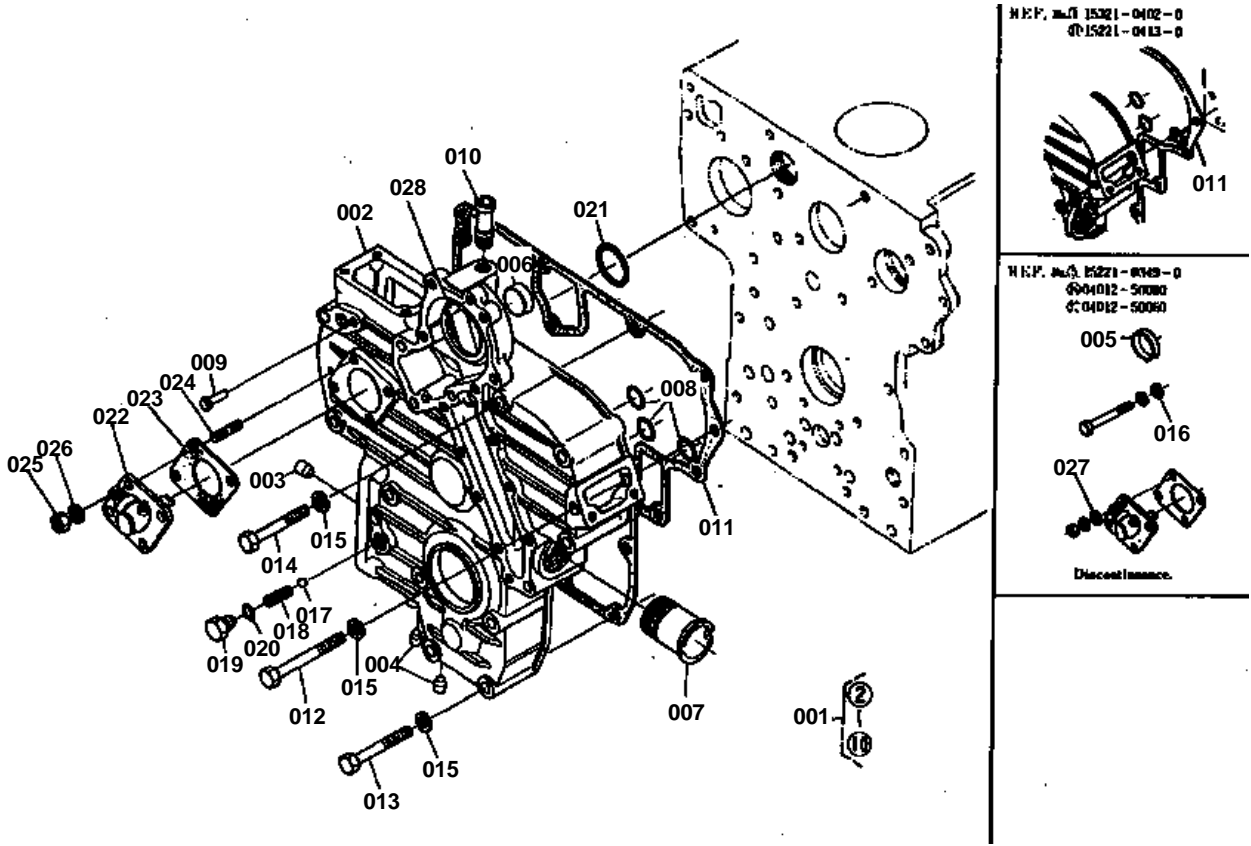


## CYLINDER HEAD

↔ Interchangeable; ≠ not interchangeable; ← new for old; → old for new

REF.No	Part No.	Description	Q'ty	S.No.	I/C	REMARKS	Weight (kgf)	Weight (lb)
001	15221-01750	HOOK,ENGINE	2				0.04	0.088
002	01513-50816	STUD	2				0.009	0.0198
002	15521-91490	STUD	1	>=1001			0	0
003	05411-00845	NUT	2				0.011	0.0242
003	02156-50080	NUT	1	>=1001			0.004	0.0088
004	04512-50080	WASHER,SPRING	2				0	0
004	04512-50080	WASHER,SPRING	1	>=1001			0	0
005	15321-03040	ASSY CYLINDER HEAD	1	<=2641			15.4	33.88
005	15321-03045	ASSY CYLINDER HEAD	1	>=2642			0	0
006	99999-99999	BLANK	0			ORDER BY REF.No.005	0	0
007	15221-03370	CAP,SEALING	9				0.01	0.022
008	15221-03490	CAP,SEALING	1				0.02	0.044
009	15131-01380	PLUG,PIN	2				0.001	0.0022
010	15221-13580	GUIDE,VALVE	6	<=2641			0	0
010	15221-13580	GUIDE,VALVE	3	>=2642			0	0
011	15221-03450	BOLT,CYLINDER HEAD	12	<=25384			0	0
011	19202-03450	BOLT,CYLINDER HEAD	12	>=25385			0.065	0.143
012	15221-03410	BOLT,CYLINDER HEAD	2	<=25384			0	0
012	19202-03410	BOLT,CYLINDER HEAD	2	>=25385			0.065	0.143
013	15221-03510	NUT,CYLINDER HEAD	2	<=25384			0.008	0.0176
013	19202-03510	NUT,CYLINDER HEAD	2	>=25385			0.012	0.0264
014	15221-03540	WASHER,PLAIN	14				0.003	0.0066
015	15321-03310	GASKET,CYLINDER HEAD	1				0	0
016	15321-03320	SHIM,CYL.HEAD GASKET	1				0.047	0.1034
017	15601-13560	GUIDE,EXHAUST VALVE	3	>=2642			0	0
018	01123-50816	BOLT	1	>=14148			0.011	0.0242
019	15000-36080	PLUG	1	>=14148			0.03	0.066
020	04717-01600	WASHER,SEAL	1	>=14148			0.003	0.0066

GEAR CASE



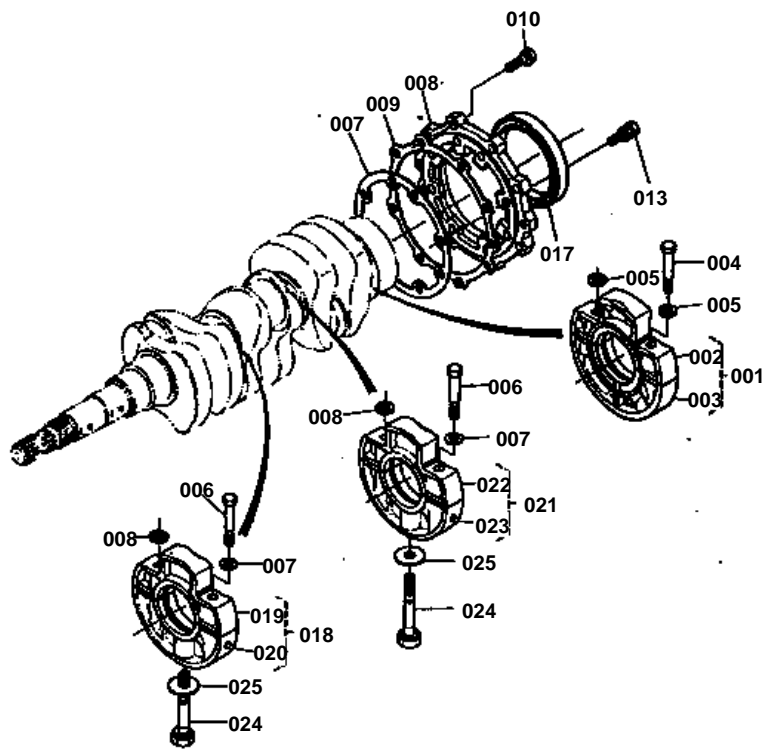


GEAR CASE

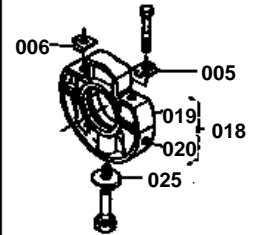
↔ Interchangeable; ≠ not interchangeable; ← new for old; → old for new

REF.No	Part No.	Description	Q'ty	S.No.	I/C	REMARKS	Weight (kgf)	Weight (lb)
001	15321-04020	ASSY CASE,GEAR	1	<=14147			4.8	10.56
001	15341-04020	ASSY CASE,GEAR	1	>=14148			4.25	9.35
002	99999-99999	BLANK	0			ORDER BY REF.No.001	0	0
003	15221-33620	PLUG,PIN	2				0.002	0.0044
004	15221-33640	PLUG,PIN	1	<=14147			0.003	0.0066
004	15221-33660	PLUG,PIN	2	>=14148			0.004	0.0088
005	15221-03490	CAP,SEALING	1	<=14147			0.02	0.044
006	15321-96260	CAP,SEALING	1				0.014	0.0308
007	15221-72880	PIPE,WATER	1				0.115	0.253
008	04811-00150	O RING	3				0.001	0.0022
009	15221-56280	PIN,START SPRING	1				0.006	0.0132
010	15321-73340	PIPE,WATER RETURN	1				0.016	0.0352
011	15221-04130	GASKET,GEAR CASE	1	<=14147			0	0
011	15601-04130	GASKET,GEAR CASE	1	>=14148			0	0
012	01053-50885	BOLT	1	<=14147			0.031	0.0682
012	01153-50885	BOLT	4	>=14148			0.031	0.0682
013	15221-91040	BOLT	10	<=14147			0	0
013	15521-91010	BOLT	10	>=14148			0	0
014	15321-91010	BOLT	3	<=14147			0.03	0.066
014	01153-50870	BOLT	7	>=14148			0.026	0.0572
015	04512-50080	WASHER,SPRING	14	<=14147			0	0
015	04512-50080	WASHER,SPRING	15	>=14148			0	0
016	04012-50080	WASHER,PLAIN	14	<=14147			0.001	0.0022
017	07715-00803	BALL	1				0.004	0.0088
018	15221-38440	SPRING	1				0.004	0.0088
019	15221-38420	CAP	1				0.025	0.055
020	04811-00100	O RING	1				0.001	0.0022
021	04811-40240	O RING	1				0.002	0.0044
022	37150-34660	ASSY UNIT,HOUR METER	1				0.32	0.704
023	15221-88130	GASKET	1				0	0
024	15221-88210	STUD	4				0.005	0.011
025	02056-50060	NUT	4				0.002	0.0044
026	04512-50060	WASHER,SPRING	4				0	0
027	04012-50060	WASHER,PLAIN	4	<=14147			0.001	0.0022
028	05012-00612	PIN,STRAIGHT	2	>=14148			0.003	0.0066

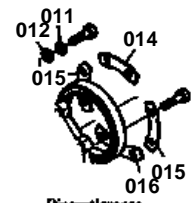
BEARING CASE



- REF. No. ① 15221-0401-0  
 ② 15221-0457-0  
 ③ 15221-0488-0  
 ④ 15221-0485-0  
 ⑤ 15221-0459-0



- REF. No. ① 04512-50080  
 ② 04512-50080  
 ③ 15221-0464-0  
 ④ 15221-0485-0  
 ⑤ 15221-0488-0



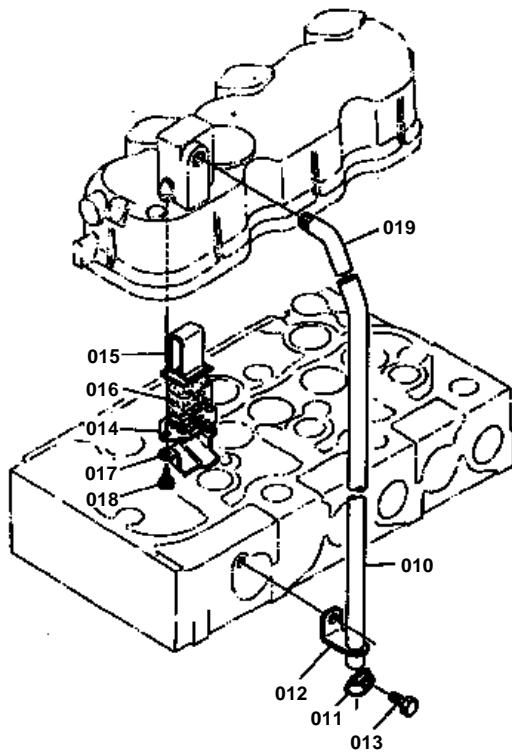
Discontinance.

**BEARING CASE**

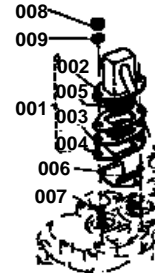
↔ Interchangeable; ≠ not interchangeable; ← new for old; → old for new

REF.No	Part No.	Description	Q'ty	S.No.	I/C	REMARKS	Weight (kgf)	Weight (lb)
001	15221-04040	ASSY CASE,BEARING	1				0	0
001	15521-04040	ASSY CASE,BEARING	1	>=1001			0	0
002	99999-99999	BLANK	0			ORDER BY REF.No.001	0	0
003	99999-99999	BLANK	0			ORDER BY REF.No.001	0	0
004	15221-04540	BOLT 1	6				0	0
004	15521-04540	BOLT 1	6	>=1001			0	0
005	15221-04570	WASHER,LOCK 1	3				0.002	0.0044
005	15521-94010	WASHER,LOCK 1	3	>=1001			0.001	0.0022
006	15221-04580	WASHER,LOCK 2	3	≤=14147			0.003	0.0066
007	15221-04360	GASKET	1				0	0
008	15221-04810	COVER,BEARING	1				0.3	0.66
009	15221-04820	GASKET,COVER	1				0	0
010	01053-50825	BOLT	8				0.014	0.0308
010	01123-50825	BOLT	8	>=1001			0.013	0.0286
011	04512-50080	WASHER,SPRING	8	≤=14147			0	0
012	04012-50080	WASHER,PLAIN	8	≤=14147			0.001	0.0022
013	01053-50828	BOLT	8				0.014	0.0308
013	01123-50828	BOLT	8	>=1001			0.014	0.0308
014	15221-04640	WASHER,COVER 1	1	≤=14147			0.005	0.011
015	15221-04650	WASHER,COVER 2	2	≤=14147			0.005	0.011
016	15221-04660	WASHER,COVER 3	1	≤=14147			0.006	0.0132
017	15221-04460	SEAL,OIL	1				0.06	0.132
018	15221-04050	ASSY CASE,BEARING 1	1				0	0
018	15521-04050	ASSY CASE,BEARING 1	1	>=1001			0	0
019	99999-99999	BLANK	0			ORDER BY REF.No.018	0	0
020	99999-99999	BLANK	0			ORDER BY REF.No.018	0	0
021	15321-04060	ASSY CASE,BEARING 2	1				0	0
021	15521-04060	ASSY CASE,BEARING 2	1	>=1001			0	0
022	99999-99999	BLANK	0			ORDER BY REF.No.021	0	0
023	99999-99999	BLANK	0			ORDER BY REF.No.021	0	0
024	15291-04560	BOLT 2	2				0.06	0.132
025	15291-04590	WASHER,LOCK 3	2				0.005	0.011
025	15521-94020	WASHER,LOCK 3	2	>=1001			0.004	0.0088

# BREATHER



- REF. No. ① 15241-0501-0  
 ② 15241-0511-0  
 ③ 15241-0514-0  
 ④ 15241-0543-0  
 ⑤ 15241-0567-0  
 ⑥ 15241-0537-0  
 ⑦ 15241-0021-0  
 ⑧ 02854-30080  
 ⑨ 04543-30068



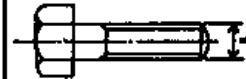
Discontinuer.

- REF. No. ① 15341-0558-0



∅ : 11-12mm

- REF. No. ① 01173-31218



∅ : 10-12mm

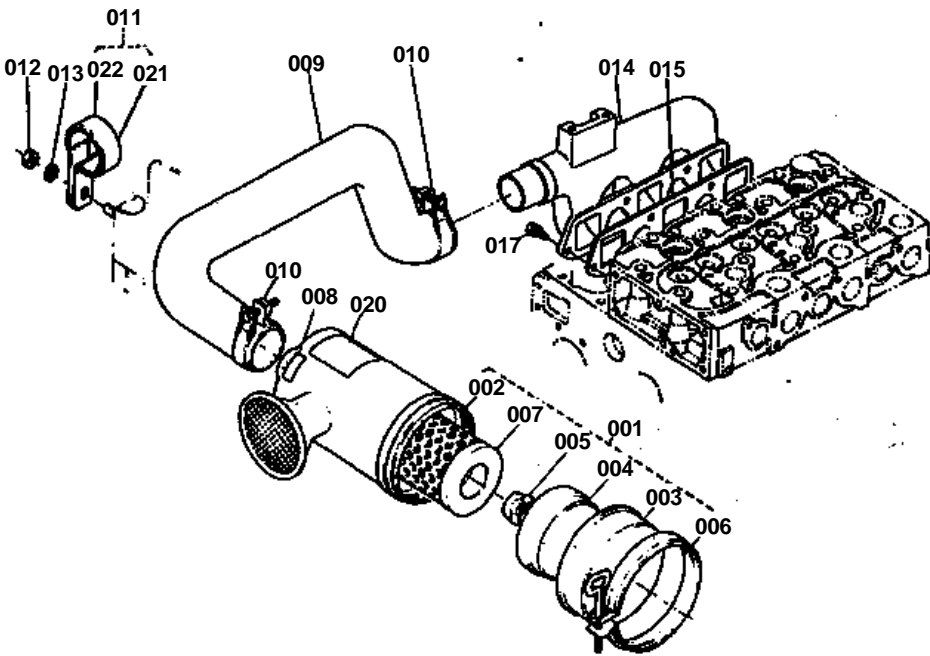


# BREATHER

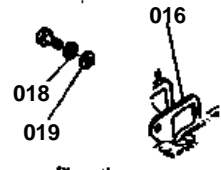
↔ Interchangeable; ≠ not interchangeable; ← new for old; → old for new

REF.No	Part No.	Description	Q'ty	S.No.	I/C	REMARKS	Weight (kgf)	Weight (lb)
001	15241-05010	ASSY BREATHER	1	≤14147			0.15	0.33
002	99999-99999	BLANK	1			ORDER BY REF.No.001	0	0
003	15241-05140	PLATE,ELEMENT	1	≤14147			0.009	0.0198
004	15321-05430	GASKET,COVER	2	≤14147			0	0
005	15241-05670	ELEMENT,BREATHER	1	≤14147			0.008	0.0176
006	15241-05370	OIL SHIELD,BREATHER	1	≤14147			0.005	0.011
007	15221-88210	STUD	2	≤14147			0.005	0.011
008	02056-50060	NUT	2	≤14147			0.002	0.0044
009	04512-50060	WASHER,SPRING	2	≤14147			0	0
010	15321-05510	PIPE,BREATHER	1				0.039	0.0858
011	15401-05590	CLAMP,PIPE	1	≤14147			0.003	0.0066
011	15341-05590	CLAMP,PIPE	1	≥1001			0.003	0.0066
012	15401-05580	CLAMP,PIPE	1				0.02	0.044
013	01173-51018	BOLT	1	≤14147			0.018	0.0396
013	01173-51218	BOLT	1	≥14148			0.028	0.0616
014	15521-05140	ELEMENT,BREATHER 1	1	≥14148			0.005	0.011
015	15521-05150	ELEMENT,BREATHER	1	≥14148			0.01	0.022
016	15521-05670	ELEMENT,BREATHER	1	≥14148			0.01	0.022
017	15521-05370	OIL SHIELD,BREATHER	1	≥14148			0.005	0.011
018	03024-50510	SCREW	2	≥14148			0.002	0.0044
019	15521-05550	JOINT,BREATHER	1	≥14148			0.04	0.088

AIR CLEANER

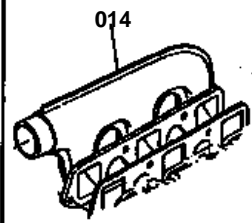


REF. No. 15321-1183-0  
① 04512-50000  
② 04012-30000



Discontinua.

REF. No. 15321-1776-0

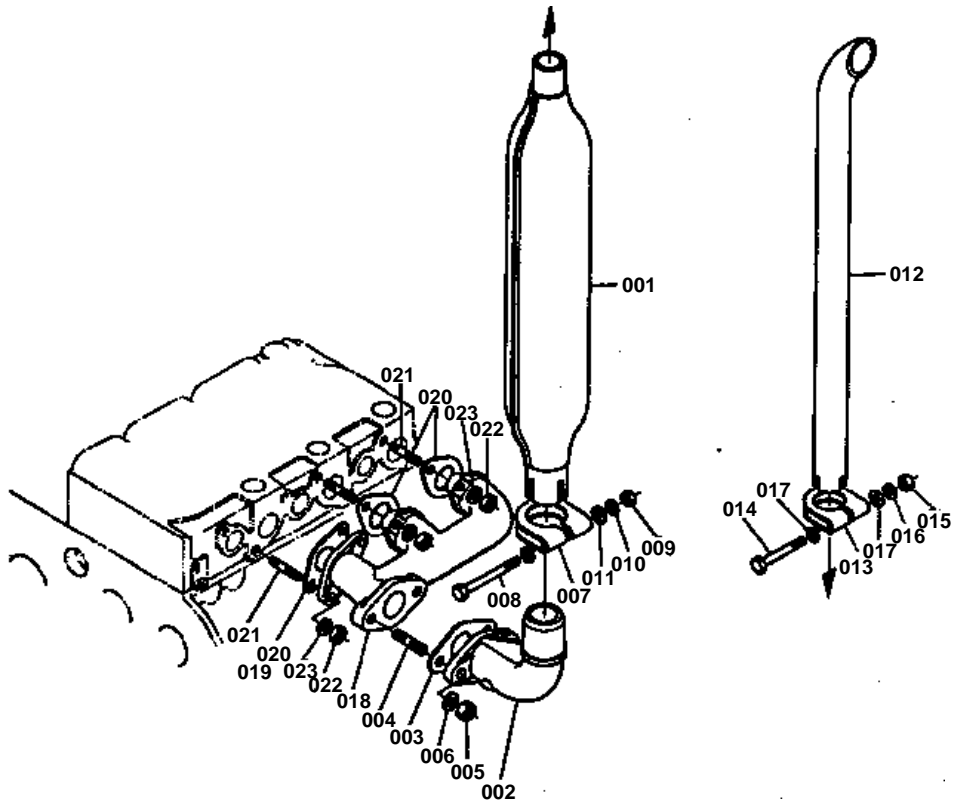




**AIR CLEANER**

↔ Interchangeable; ≠ not interchangeable; ← new for old; → old for new

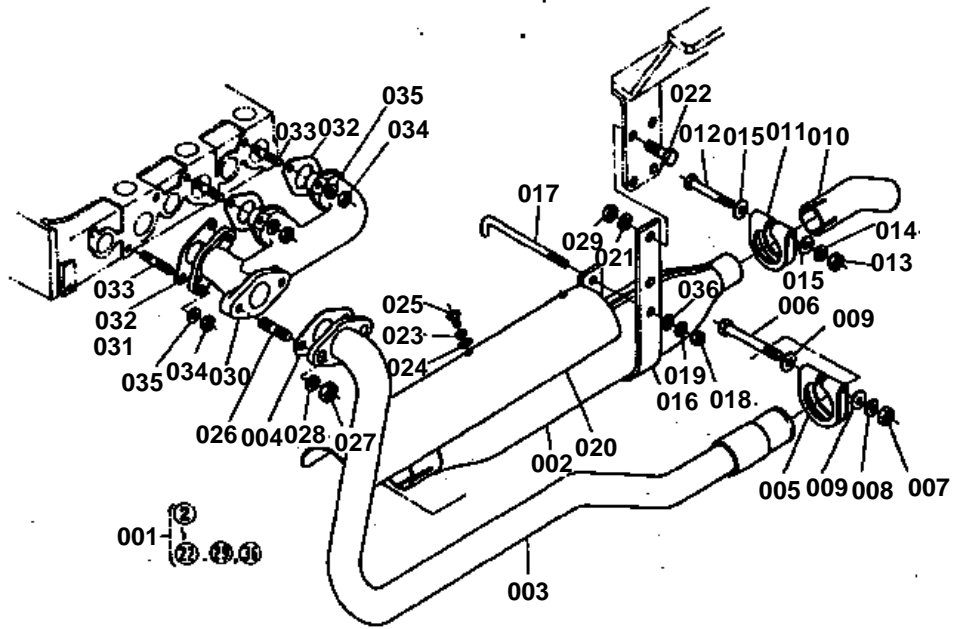
REF.No	Part No.	Description	Q'ty	S.No.	I/C	REMARKS	Weight (kgf)	Weight (lb)
001	15222-11012	ASSY CLEANER,AIR	1				1.4	3.08
002	15222-11150	BODY,AIR CLEANER	1				0.708	1.5576
003	15222-11160	COVER,AIR CLEANER	1				0.202	0.4444
004	15222-11410	COVER,BAFFLE	1				0.043	0.0946
005	15222-92620	NUT,WING	1				0.02	0.044
006	15222-11070	ASSY BAND,AIR CLEANER	1				0.098	0.2156
007	15222-11220	ELEMENT,AIR CLEANER	1				0.344	0.7568
008	15222-87750	MARK,FORM	1				0.001	0.0022
009	15321-11620	PIPE,INLET	1				0.737	1.6214
010	15221-11720	BAND,PIPE	2				0.03	0.066
011	15321-11700	ASSY HOLDER,INLET PI	1				0.07	0.154
012	02056-50080	NUT	1				0.005	0.011
012	02156-50080	NUT	1	≥1001			0.004	0.0088
013	04512-50080	WASHER,SPRING	1				0	0
014	15321-11760	MANIFOLD,INLET	1				0.86	1.892
014	15501-11760	MANIFOLD,INLET	1	≥1001			0.75	1.65
015	15221-11820	GASKET,IN-MANIFOLD	1				0.008	0.0176
015	15521-11820	GASKET,IN-MANIFOLD	1	≥1001			0	0
016	15321-11830	GASKET,IN-MANIFOLD	1	≤14147			0	0
017	01053-50822	BOLT	5				0.013	0.0286
017	01123-50822	BOLT	5	≥1001			0.012	0.0264
018	04512-50080	WASHER,SPRING	5	≤14147			0	0
019	04012-50080	WASHER,PLAIN	5	≤14147			0.001	0.0022
020	15222-93450	LABEL,AIR CLEANER	1				0.001	0.0022
021	15321-11690	PROTECTOR,INLET PIPE	1				0.02	0.044
022	15321-11710	HOLDER,INLET PIPE	1				0.055	0.121



**MUFFLER [L245DT]**

↔ Interchangeable; ≠ not interchangeable; ← new for old; → old for new

REF.No	Part No.	Description	Q'ty	S.No.	I/C	REMARKS	Weight (kgf)	Weight (lb)
001	15221-12110	MUFFLER	1				0	0
002	15221-12320	FLANGE,MUFFLER	1				0	0
003	15221-12370	GASKET,M-FLANGE	1				0	0
004	01517-51025	STUD	2				0	0
005	15021-12260	NUT	2				0.013	0.0286
006	04512-50100	WASHER,SPRING	2				0	0
007	15221-12130	BAND,MUFFLER	1				0	0
008	01153-50878	BOLT	1				0.029	0.0638
009	02156-50080	NUT	1				0.004	0.0088
010	04512-50080	WASHER,SPRING	1				0	0
011	04012-50080	WASHER,PLAIN	2				0.001	0.0022
012	34219-12410	PIPE,EXHAUST	1				0.54	1.188
013	15221-12430	BAND,PIPE	1				0	0
014	01153-50860	BOLT	1				0.024	0.0528
015	02156-50080	NUT	1				0.004	0.0088
016	04512-50080	WASHER,SPRING	1				0	0
017	04012-50080	WASHER,PLAIN	2				0.001	0.0022
018	15321-12310	MANIFOLD,EXHAUST	1				1.46	3.212
019	15221-12360	GASKET,EX-MANIFOLD	1	<=14147			0	0
020	15221-12350	GASKET,EX-MANIFOLD	2				0	0
020	15521-12350	GASKET,EX-MANIFOLD	3	>=1001			0	0
021	15221-91530	STUD	6				0.011	0.0242
022	02056-50080	NUT	6				0.005	0.011
022	02156-50080	NUT	6	>=1001			0.004	0.0088
023	04512-50080	WASHER,SPRING	6				0	0

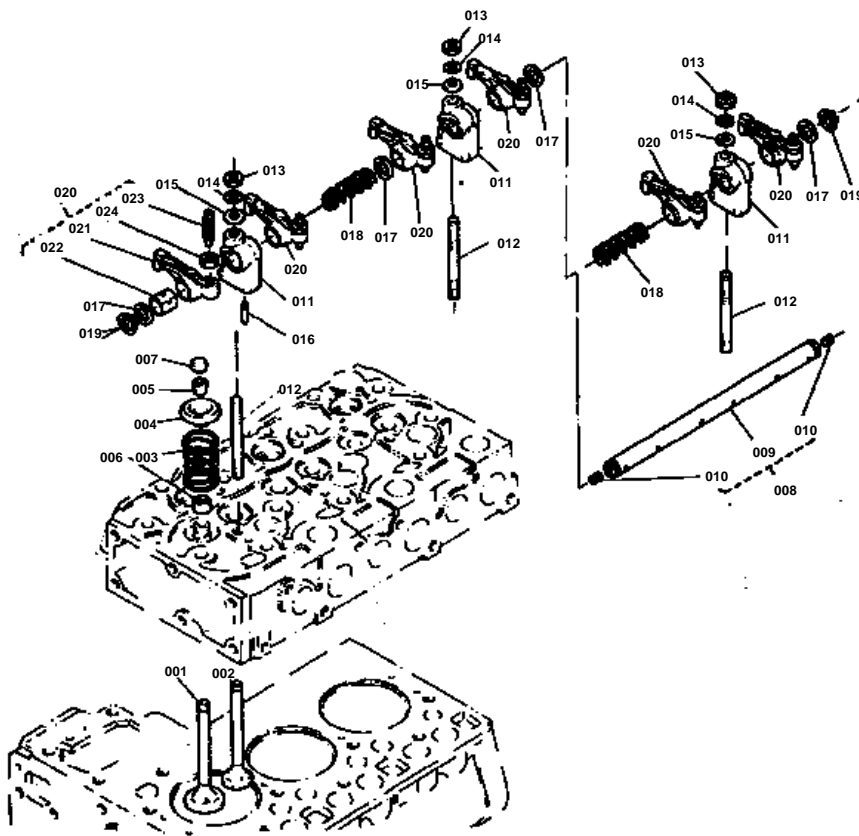


**MUFFLER [L245]**

↔ Interchangeable; ≠ not interchangeable; ← new for old; → old for new

REF.No	Part No.	Description	Q'ty	S.No.	I/C	REMARKS	Weight (kgf)	Weight (lb)
001	35110-62100	ASSY MUFFLER	1				9	19.8
002	34159-62190	MUFFLER	1				2.29	5.038
003	35110-62110	PIPE,MUFFLER 1	1				2	4.4
004	15221-12370	GASKET,M-FLANGE	1				0	0
005	15221-12130	BAND,MUFFLER	1				0	0
006	01153-50878	BOLT	1				0.029	0.0638
007	02156-50080	NUT	1				0.004	0.0088
008	04512-50080	WASHER,SPRING	1				0	0
009	04012-50080	WASHER,PLAIN	2				0.001	0.0022
010	35110-62130	PIPE,MUFFLER 2	1				0.16	0.352
011	15221-12430	BAND,PIPE	1				0	0
012	01153-50865	BOLT	1				0.025	0.055
013	02053-50080	NUT	1	<=10005			0	0
013	02156-50080	NUT	1	>=10006			0.004	0.0088
013	02156-50080	NUT	1	>=50001			0.004	0.0088
014	04512-50080	WASHER,SPRING	1				0	0
015	04012-50080	WASHER,PLAIN	2				0.001	0.0022
016	35110-62160	SUPPORT,MUFFLER	1	<=10005			0	0
016	35110-62164	SUPPORT,MUFFLER	1	>=10006			0	0
016	35110-62164	SUPPORT,MUFFLER	1	>=50001			0	0
017	35110-62170	BOLT,MUFFLER	1				0.05	0.11
018	02054-50080	NUT	1				0.005	0.011
019	04512-50080	WASHER,SPRING	1				0	0
020	34159-62150	COVER,MUFFLER	1				0.47	1.034
021	04512-50100	WASHER,SPRING	2				0	0
022	01173-51022	BOLT	2				0.019	0.0418
023	04512-50080	WASHER,SPRING	2				0	0
024	04012-50080	WASHER,PLAIN	2				0.001	0.0022
025	01153-50812	BOLT	2				0.008	0.0176
026	01517-51025	STUD	2				0	0
027	15021-12260	NUT	2				0.013	0.0286
028	04512-50100	WASHER,SPRING	2				0	0
029	02176-50100	NUT	2				0.005	0.011
030	15321-12310	MANIFOLD,EXHAUST	1				1.46	3.212
031	15221-12360	GASKET,EX-MANIFOLD	1	<=14147			0	0
032	15221-12350	GASKET,EX-MANIFOLD	2				0	0
032	15521-12350	GASKET,EX-MANIFOLD	3	>=1001			0	0
033	15221-91530	STUD	6				0.011	0.0242
034	02056-50080	NUT	6				0.005	0.011
034	02156-50080	NUT	6	>=1001			0.004	0.0088
035	04512-50080	WASHER,SPRING	6				0	0
036	04013-50080	WASHER,PLAIN	1	<=13205		FP,TP	0	0
036	04013-50080	WASHER,PLAIN	1	<=11580		DTP	0	0
036	04013-50080	WASHER,PLAIN	1	>=50001		FP,TP,DTP	0	0

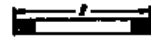
# VALVE,ROCKER ARM



REF. No. 15221-1403-0



REF. No. 15221-9100-0



#: 84 - 97

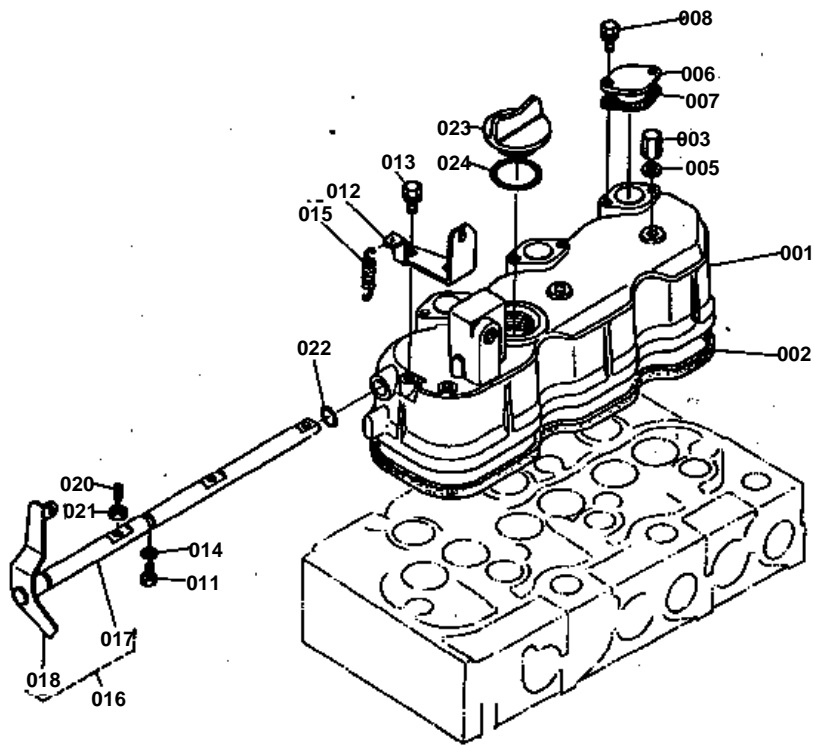


## VALVE,ROCKER ARM

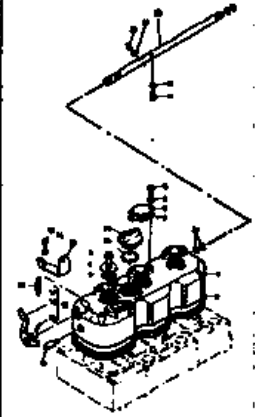
↔ Interchangeable; ≠ not interchangeable; ← new for old; → old for new

REF.No	Part No.	Description	Q'ty	S.No.	I/C	REMARKS	Weight (kgf)	Weight (lb)
001	15221-13110	VALVE,INLET	3				0.062	0.1364
002	15221-13120	VALVE,EXHAUST	3				0.054	0.1188
003	15221-13240	SPRING,VALVE	6				0.036	0.0792
004	15221-13330	RETAINER,VALVE SPRIN	6				0.03	0.066
005	15221-13360	COLLET,VALVE SPRING	12				0	0
006	15221-13150	SEAL,VALVE STEM	6				0.001	0.0022
007	15221-13280	CAP,VALVE	6				0.006	0.0132
008	15321-14050	ASSY SHAFT,ROCKER AR	1				0.25	0.55
009	99999-99999	BLANK	0			ORDER BY REF.No.008	0	0
010	03410-50808	SCREW,SET	2				0	0
011	15221-14350	BRACKET,ROCKER ARM	3				0.044	0.0968
012	15221-14410	STUD	3	≤14147			0.028	0.0616
012	15521-91500	STUD	3	≥14148			0.035	0.077
013	02056-50080	NUT	3				0.005	0.011
013	02156-50080	NUT	3	≥1001			0.004	0.0088
014	04512-50080	WASHER,SPRING	3				0	0
015	04012-50080	WASHER,PLAIN	3				0.001	0.0022
016	15221-14420	SCREW,SET	1				0.003	0.0066
017	15221-14430	WASHER	6				0.002	0.0044
017	15221-14430	WASHER	2	≥1001			0.002	0.0044
018	15221-14310	SPRING,ROCKER ARM	2				0.005	0.011
019	04612-00140	CIR-CRIP,EXTERNAL	2				0.001	0.0022
020	15221-14030	ASSY ROCKER ARM	6				0	0
020	15521-14030	ASSY ROCKER ARM	6	≥1001			0	0
020	15601-14030	ASSY ROCKER ARM	6				0	0
021	99999-99999	BLANK	0			ORDER BY REF.No.020	0	0
022	15221-14180	BUSH	6				0.007	0.0154
023	15221-14230	SCREW,ADJUSTING	1				0.01	0.022
023	15521-14230	SCREW,ADJUSTING	1	≥1001			0.009	0.0198
024	15021-14240	NUT	1				0.003	0.0066

# HEAD COVER



- REF. No. ① 15221-1451-0  
 ② 15221-1452-0  
 ③ 15221-1460-0  
 ④ 15221-1463-0  
 ⑤ 01053-30614  
 ⑥ 01053-30614  
 ⑦ 04512-30609  
 ⑧ 15221-0804-0  
 ⑨ 04811-05109



- REF. No. ① 15221-1466-0  
 ② 04512-30609  
 ③ 15221-0835-0  
 ④ 05411-00425

Discontinuar.



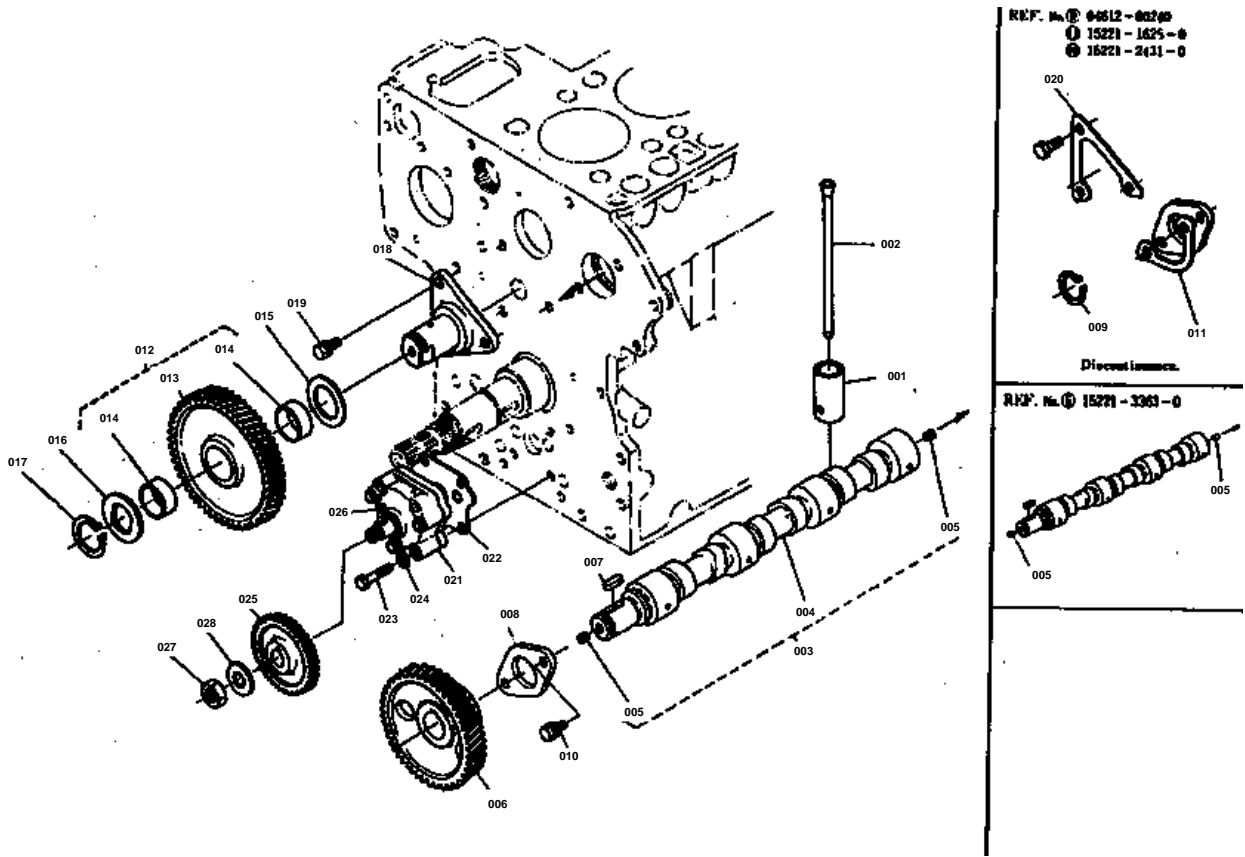


# HEAD COVER

↔ Interchangeable; ≠ not interchangeable; ← new for old; → old for new

REF.No	Part No.	Description	Q'ty	S.No.	I/C	REMARKS	Weight (kgf)	Weight (lb)
001	15321-14510	COVER,CYLINDER HEAD	1	←=14147			0.948	2.0856
001	15521-14510	COVER,CYLINDER HEAD	1	≥=14148			1.22	2.684
002	15321-14520	GASKET,HEAD COVER	1	←=14147			0.05	0.11
002	15521-14520	GASKET,HEAD COVER	1	≥=14148			0.035	0.077
003	15221-14620	NUT,HEAD COVER	3	←=14147			0.02	0.044
003	15451-92330	NUT,HEAD COVER	3	≥=14148			0.015	0.033
004	15221-14640	WASHER,HEAD COVER	3	←=14147			0.017	0.0374
005	15221-14630	GASKET,NUT	3				0.003	0.0066
005	15021-33660	GASKET,NUT	3				0.001	0.0022
006	15221-66630	COVER,DECOMP.HOLE	3				0.035	0.077
007	15221-66640	GASKET,COVER	3				0	0
008	01053-50614	BOLT	6				0.005	0.011
008	01023-50614	BOLT	6	≥=1001			0.005	0.011
009	04512-50060	WASHER,SPRING	6	←=14147			0	0
010	15221-66550	STOPPER,DECOMP.S.	1	←=14147			0.02	0.044
011	15221-66410	BOLT	1				0.005	0.011
012	15221-66190	HOLDER,DECOMP.WIRE	1				0.055	0.121
013	01053-50614	BOLT	2				0.005	0.011
013	01023-50614	BOLT	2	≥=1001			0.005	0.011
014	04512-50060	WASHER,SPRING	3				0	0
014	04512-50060	WASHER,SPRING	1	≥=1001			0	0
015	15221-66280	SPRING,DECOMPRESS	1				0.008	0.0176
016	15321-66040	ASSY SHAFT,DECOMPRES	1				0.44	0.968
016	15521-66040	ASSY SHAFT,DECOMPRES	1				0.385	0.847
017	99999-99999	BLANK	0			ORDER BY REF.No.016	0	0
018	99999-99999	BLANK	0			ORDER BY REF.No.016	0	0
019	05411-00425	PIN,SPRING	1	←=14147			0.001	0.0022
020	15221-66350	BOLT,DECOMPRESS	3				0.005	0.011
021	15221-66360	NUT,DECOMPRESS	3				0.003	0.0066
022	04811-06100	O RING	4				0.001	0.0022
022	04811-06100	O RING	1	≥=1001			0.001	0.0022
023	15221-33140	PLUG,OIL FILLER	1				0.038	0.0836
024	04811-50300	O RING	1				0.001	0.0022

CAMSHAFT



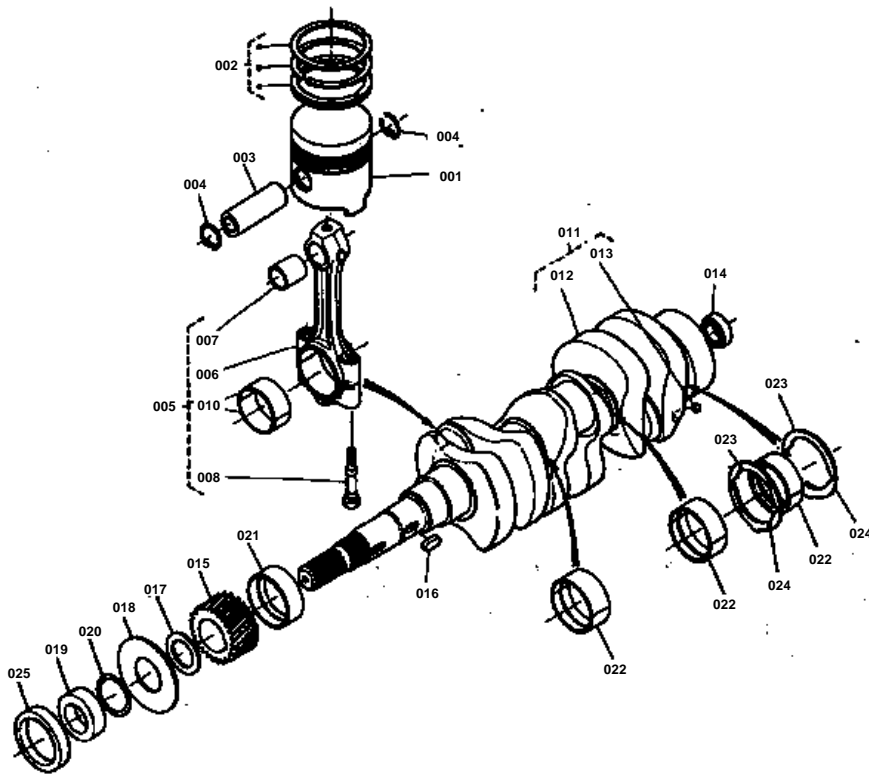


# CAMSHAFT

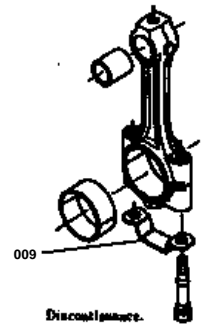
↔ Interchangeable; ≠ not interchangeable; ← new for old; → old for new

REF.No	Part No.	Description	Q'ty	S.No.	I/C	REMARKS	Weight (kgf)	Weight (lb)
001	15221-15550	TAPPET	6				0	0
002	15221-15110	ROD,PUSH	6				0.05	0.11
003	15321-16010	ASSY CAMSHAFT	1				0	0
003	15521-16010	ASSY CAMSHAFT	1	≥1001			3.6	7.92
004	15321-16150	CAMSHAFT	1				1.96	4.312
004	15521-16150	CAMSHAFT	1	≥1001			1.79	3.938
005	15221-33630	PLUG,PIN	2				0.001	0.0022
005	15521-93610	SCREW,SET	2	≥1001			0.002	0.0044
006	15221-16510	GEAR,CAMSHAFT	1				0.85	1.87
006	15521-16510	GEAR,CAMSHAFT	1	≥1001			0.85	1.87
007	05712-00720	KEY,FEATHER	1				0.008	0.0176
008	15221-16270	STOPPER,CAMSHAFT	1				0.073	0.1606
009	04612-00240	CIR-CLIP,EXTERNAL	1	≤14147			0.002	0.0044
010	01053-50816	BOLT	2				0.011	0.0242
010	01123-50818	BOLT	2	≥1001			0.012	0.0264
011	15221-16250	WASHER,STOPPER	1	≤14147			0.01	0.022
012	15221-24010	ASSY GEAR,IDLE	1				0.5	1.1
013	99999-99999	BLANK	0			ORDER BY REF.No.012	0	0
014	15221-24980	BUSH,IDLE GEAR	2				0.02	0.044
015	15221-24360	COLLAR 1,IDLE GEAR	1				0.02	0.044
015	15521-24360	COLLAR 1,IDLE GEAR	1	≥1001			0.015	0.033
016	15221-24370	COLLAR 2	1				0.018	0.0396
016	15521-24370	COLLAR 2	1	≥1001			0.015	0.033
017	15221-24320	CIR-CLIP,IDLE GEAR	1				0.01	0.022
018	15221-24250	SHAFT,IDLE GEAR	1				0.48	1.056
019	01053-50818	BOLT	3				0.011	0.0242
019	01123-50818	BOLT	3	≥1001			0.012	0.0264
020	15221-24310	WASHER,IDLE G.SHAFT	1	≤14147			0.01	0.022
021	15321-35010	ASSY PUMP,OIL	1				0.525	1.155
022	15221-35150	GASKET,OIL PUMP	1				0	0
023	01053-50648	BOLT	4				0.01	0.022
024	04512-50080	WASHER,SPRING	4				0	0
025	15221-35660	GEAR,OIL PUMP DRIVE	1				0	0
025	15521-35660	GEAR,OIL PUMP DRIVE	1				0	0
025	19202-35660	GEAR,OIL PUMP DRIVE	1	≥1001			0.23	0.506
026	05712-00410	KEY,FEATHER	1				0.001	0.0022
027	15221-35680	NUT	1				0	0
028	15221-35670	WASHER	1				0.005	0.011

# PISTON CRANKSHAFT



REF. No. 1521-2217-0



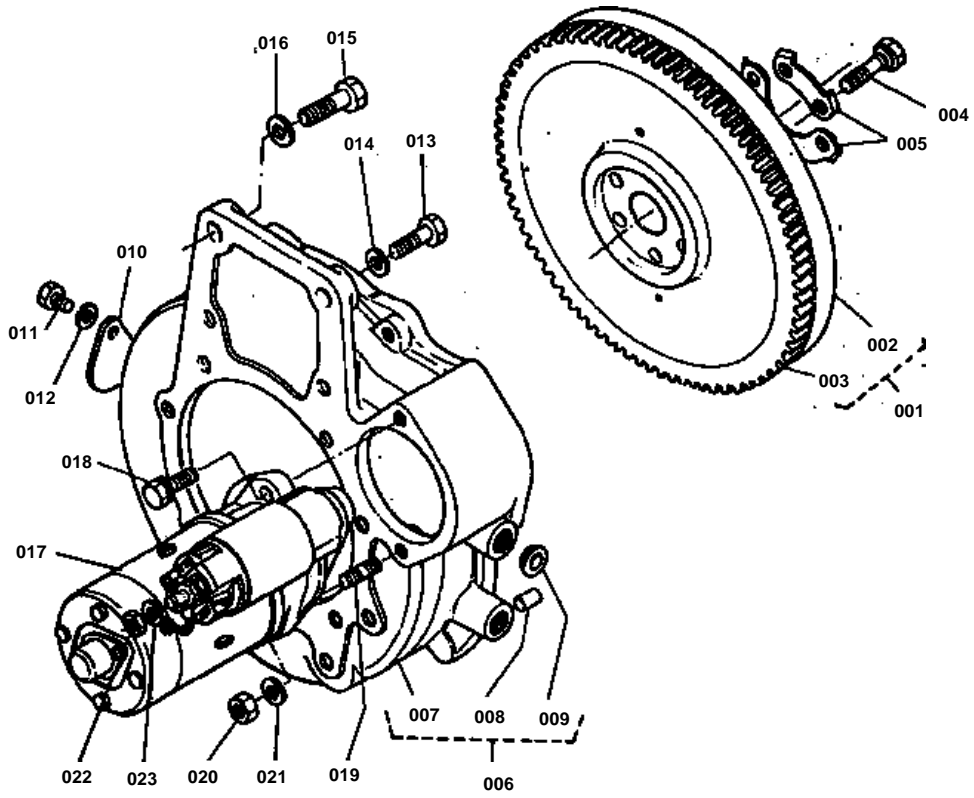


**PISTON CRANKSHAFT**

↔ Interchangeable; ≠ not interchangeable; ← new for old; → old for new

REF.No	Part No.	Description	Q'ty	S.No.	I/C	REMARKS	Weight (kgf)	Weight (lb)
001	15221-21110	PISTON	3			STD	0.45	0.99
001	15221-21910	PISTON	3			+0.5	0.452	0.9944
002	15221-21050	ASSY PISTON RING	3			STD	0.05	0.11
002	15221-21090	ASSY PISTON RING	3			+0.5	0.048	0.1056
003	15221-21310	PISTON PIN	3				0	0
003	15521-21310	PISTON PIN	3	>=1001			0.156	0.3432
004	15221-21330	CIR-CLIP,PISTON PIN	6				0.002	0.0044
005	15221-22010	ASSY CONNECTING ROD	3				0	0
005	15521-22010	ASSY CONNECTING ROD	3	>=1001			0	0
006	99999-99999	BLANK	0			ORDER BY REF.No.005	0	0
007	15221-21980	BUSH,PISTON PIN	1				0	0
008	15221-22140	BOLT,CONNECTING ROD	2				0	0
008	15521-22140	BOLT,CONNECTING ROD	2	>=1001			0	0
009	15221-22170	WASHER,ROD BOLT	1	<=14147			0.01	0.022
010	15221-22310	METAL,CRANKPIN	2			STD	0	0
010	15221-22970	METAL,CRANKPIN	2			-0.2	0.04	0.088
010	15221-22980	METAL,CRANKPIN	2			-0.4	0.04	0.088
011	15321-23010	ASSY CRANKSHAFT	1	<=14147			13	28.6
011	15501-23010	ASSY CRANKSHAFT	1	>=14148			13.42	29.524
012	99999-99999	BLANK	0			ORDER BY REF.No.011	0	0
013	15131-01380	PLUG,PIN	3	<=14147			0.001	0.0022
013	15521-33630	PLUG,PIN	3	>=14148			0.003	0.0066
014	08121-06002	BEARING,BALL (6002ZZ	1				0.03	0.066
015	15221-24114	GEAR,CRANKSHAFT	1	<=14147			0	0
015	15521-24110	GEAR,CRANKSHAFT	1	>=14148			0.34	0.748
015	15521-24112	GEAR,CRANKSHAFT	1				0	0
016	05712-00720	KEY,FEATHER	1				0.008	0.0176
017	15221-24130	COLLAR,CRANK-GEAR	1				0.015	0.033
018	15221-23310	OIL SLINGER	1				0	0
019	15221-23250	COLLAR,CRANKSHAFT	1				0	0
020	04811-10300	O RING	1				0.001	0.0022
021	15221-23470	METAL,CRANKSHAFT	1			STD	0	0
021	15221-23910	METAL,CRANKSHAFT	1			-0.2	0	0
021	15221-23920	METAL,CRANKSHAFT	1			-0.4	0	0
022	15221-23480	METAL,CRANKSHAFT	6			STD	0	0
022	15221-23930	METAL,CRANKSHAFT	6			-0.2	0.055	0.121
022	15221-23940	METAL,CRANKSHAFT	6			-0.4	0.056	0.1232
023	15221-23530	METAL,SIDE	2				0	0
023	15521-23530	METAL,SIDE	2	>=1001		STD	0.01	0.022
023	15221-23950	METAL,SIDE	2			+0.2	0	0
023	15221-23960	METAL,SIDE	2			+0.4	0	0
024	15221-23540	METAL,SIDE	2				0	0
024	15521-23540	METAL,SIDE	2	>=1001		STD	0	0
024	15221-23970	METAL,SIDE	2			+0.2	0.009	0.0198
024	15221-23980	METAL,SIDE	2			+0.4	0.009	0.0198
025	09550-00001	SEAL,OIL	1				0.015	0.033

# FLYWHEEL



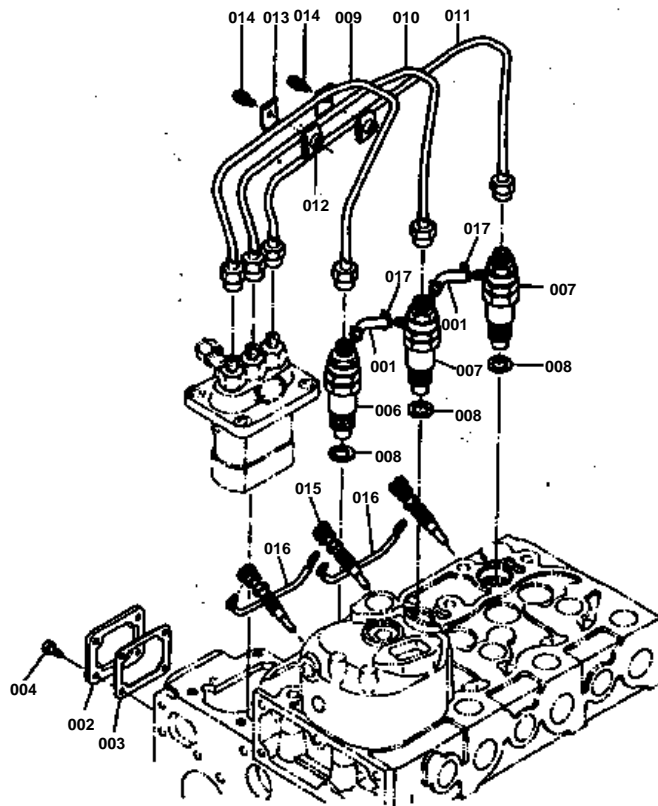


## FLYWHEEL

↔ Interchangeable; ≠ not interchangeable; ← new for old; → old for new

REF.No	Part No.	Description	Q'ty	S.No.	I/C	REMARKS	Weight (kgf)	Weight (lb)
001	15331-25010	ASSY FLYWHEEL	1				0	0
002	99999-99999	BLANK	0			ORDER BY REF.No.001	0	0
003	15221-63820	GEAR,RING	1				1.2	2.64
004	15321-25160	BOLT,FLYWHEEL	6				0.05	0.11
005	15321-25170	WASHER,FLYWHEEL	3				0.01	0.022
006	15341-04600	ASSY HOUSING,FLYWHEE	1				10.4	22.88
007	99999-99999	BLANK	0			ORDER BY REF.No.006	0	0
008	05012-01025	PIN,STRAIGHT	2				0.016	0.0352
009	31220-14290	PLUG	4				0.002	0.0044
010	31220-14170	COVER	1				0.014	0.0308
011	01053-50812	BOLT	1				0.009	0.0198
011	01153-50812	BOLT	1	>=1001			0.008	0.0176
012	04512-50080	WASHER,SPRING	1				0	0
013	01073-51030	BOLT	11				0.028	0.0616
014	04512-50100	WASHER,SPRING	11				0	0
015	01073-51240	BOLT	2				0.049	0.1078
016	04512-50120	WASHER,SPRING	2				0	0
017	15321-63010	ASSY STARTER	1				0	0
018	01173-51030	BOLT	1				0.023	0.0506
018	01133-51030	BOLT	1	>=1001			0.025	0.055
019	01517-51025	STUD	1				0	0
020	02176-50100	NUT	1				0.005	0.011
021	04512-50100	WASHER,SPRING	2				0	0
021	04512-50100	WASHER,SPRING	1	>=1001			0	0
022	02114-50080	NUT	1				0.005	0.011
023	04512-50080	WASHER,SPRING	1				0	0

# NOZZLE HOLDER



REF. No. 15271-5300-0  
15221-5302-0  
Changed to immoment type  
of the bar fiber.

REF. No. 04513-5000



Discontinance.

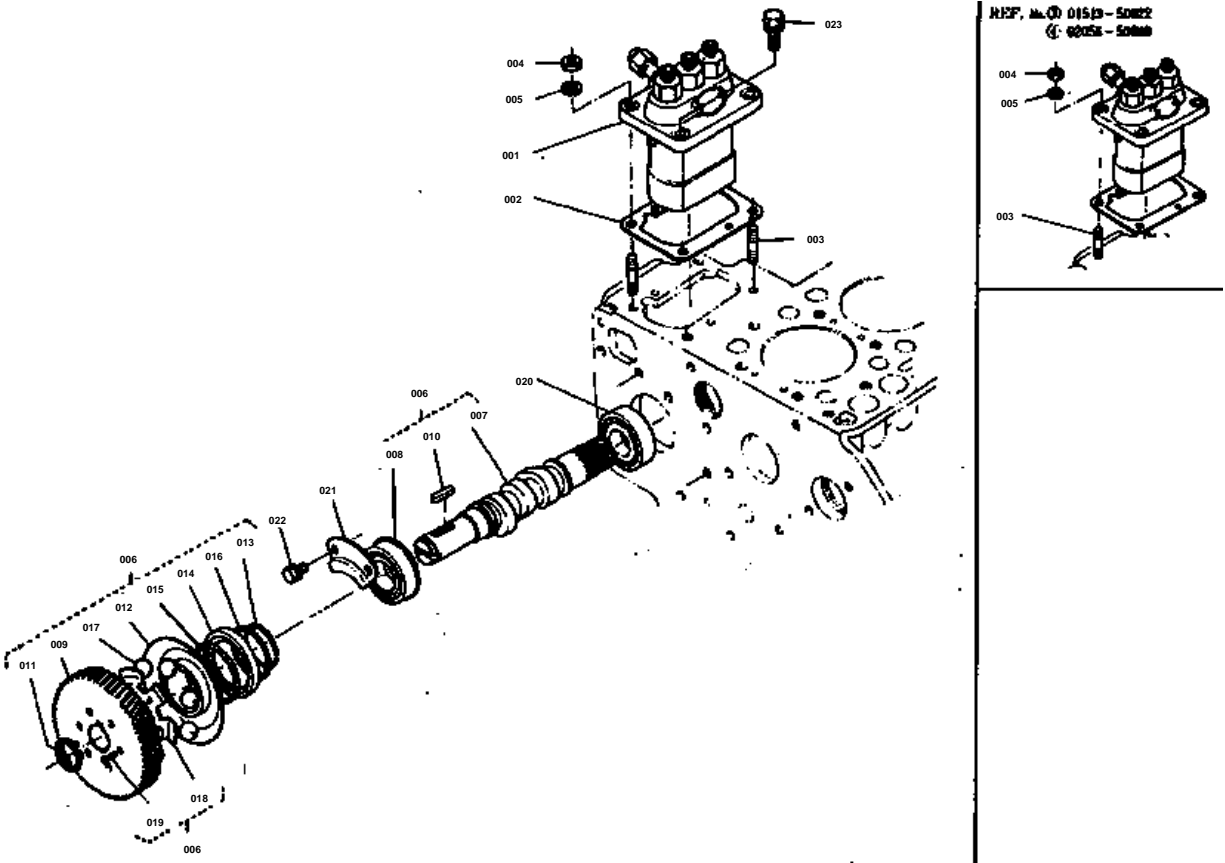


**NOZZLE HOLDER**

↔ Interchangeable; ≠ not interchangeable; ← new for old; → old for new

REF.No	Part No.	Description	Q'ty	S.No.	I/C	REMARKS	Weight (kgf)	Weight (lb)
001	15221-42510	PIPE,FUEL OVER FLOW	2				0.005	0.011
002	15221-51650	COVER,INJECTION PUMP	1				0.05	0.11
003	15221-51660	GASKET,PUMP COVER	1				0	0
004	01053-50612	BOLT	4				0.004	0.0088
004	01023-50612	BOLT	4	≥1001			0.005	0.011
005	04512-50060	WASHER,SPRING	4	≤14147			0	0
006	99999-99999	ASSY HOLDER 1,NOZZLE	1			NON SALE	0	0
006	15271-53000	ASSY HOLDER 1,NOZZLE	1				0.26	0.572
007	99999-99999	ASSY HOLDER 2,NOZZLE	2			NON SALE	0	0
007	15271-53020	ASSY HOLDER 2,NOZZLE	2				0.26	0.572
008	17011-53620	GASKET	3				0.003	0.0066
009	15221-53710	PIPE,INJECTION	1				0	0
010	15221-53720	PIPE,INJECTION	1				0	0
011	15321-53730	PIPE,INJECTION	1				0	0
012	15121-53850	CLAMP,PIPE	2				0	0
013	15121-53860	CLAMP,PIPE	2				0	0
014	03024-50520	SCREW,WITH WASHER	2				0.004	0.0088
015	15221-65510	GLOW PLUG	3				0.03	0.066
016	15401-65560	CORD,GLOW,PLUG	2				0.005	0.011
017	14971-42750	CLIP,PIPE	4				0.001	0.0022

# FUEL CAMSHAFT



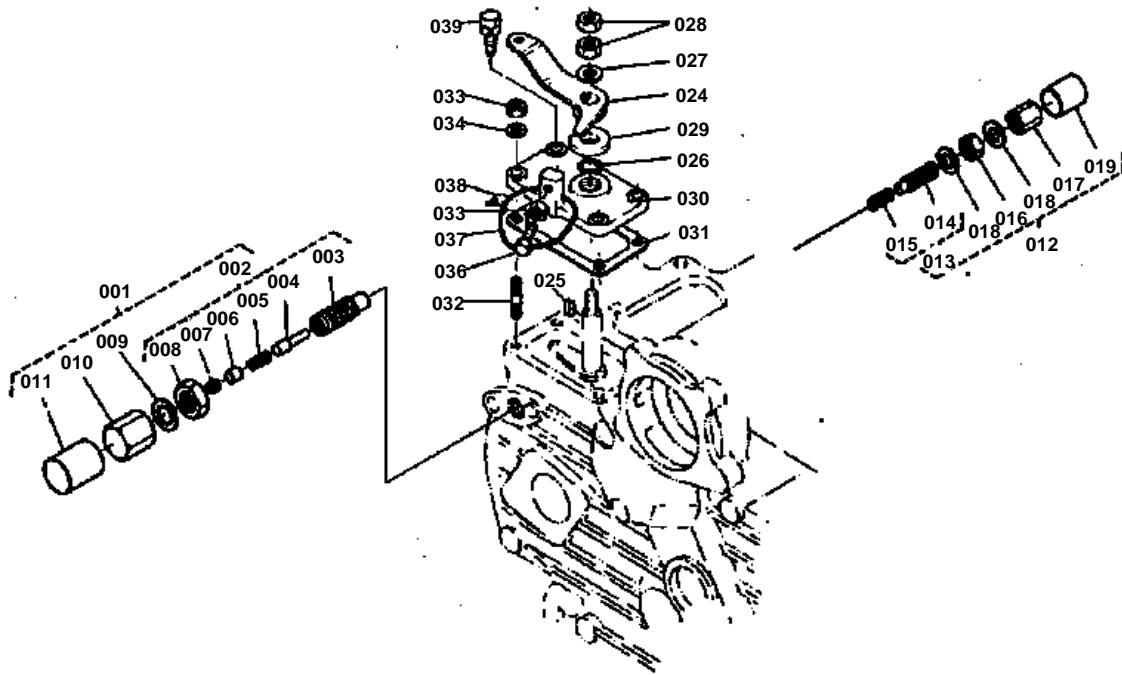


FUEL CAMSHAFT

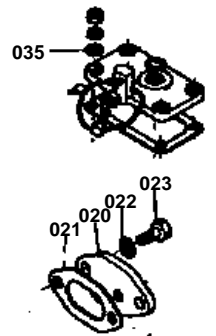
↔ Interchangeable; ≠ not interchangeable; ← new for old; → old for new

REF.No	Part No.	Description	Q'ty	S.No.	I/C	REMARKS	Weight (kgf)	Weight (lb)
001	15321-51010	ASSY PUMP,INJECTION	1				2	4.4
002	15321-52110	SHIM,INJECTION PUMP	5				0	0
003	01513-50822	STUD	4	≤14147			0.01	0.022
003	01513-50822	STUD	2	≥14148			0.01	0.022
004	02056-50080	NUT	4				0.005	0.011
004	02156-50080	NUT	2	≥1001			0.004	0.0088
005	04512-50080	WASHER,SPRING	6				0	0
005	04512-50080	WASHER,SPRING	2	≥1001			0	0
006	15321-16020	ASSY CAMSHAFT,FUEL	1				2.4	5.28
007	15321-16173	CAMSHAFT,FUEL	1				0	0
008	08153-06205	BEARING,BALL	1				0.13	0.286
009	15221-51150	GEAR,INJECTION PUMP	1				0.82	1.804
010	05712-00525	KEY,FEATHER	1				0.005	0.011
011	04612-00240	CIR-CLIP,EXTERNAL	1				0.002	0.0044
012	15221-55450	SLEEVE,GOVERNOR	1				0.19	0.418
013	15221-55470	CIR-CLIP,SLEEVE	1				0.003	0.0066
014	15221-55690	CASE,GOVERNOR BALL	1				0	0
015	07715-03205	BALL	39				0.001	0.0022
016	15221-55740	CIR-CLIP,BALL CASE	1				0.002	0.0044
017	07715-03219	BALL	6				0.014	0.0308
018	15221-55650	GUIDE,GOVERNOR BALL	1				0.038	0.0836
019	05611-10310	RIVET	6				0.001	0.0022
020	08103-06205	BEARING,BALL (6205C3	1				0.12	0.264
021	15221-16320	STOPPER,F-CAMSHAFT	1				0.02	0.044
022	01053-50814	BOLT	2				0.01	0.022
022	01123-50814	BOLT	2	≥1001			0	0
023	01123-50822	BOLT	2				0.012	0.0264

# SPEED CONTROL PLATE



- REF. No. ① 15401 - 0193 - 0  
② 15221 - 0643 - 0  
③ 04512 - 50080  
④ 01053 - 50536  
⑤ 04512 - 50082



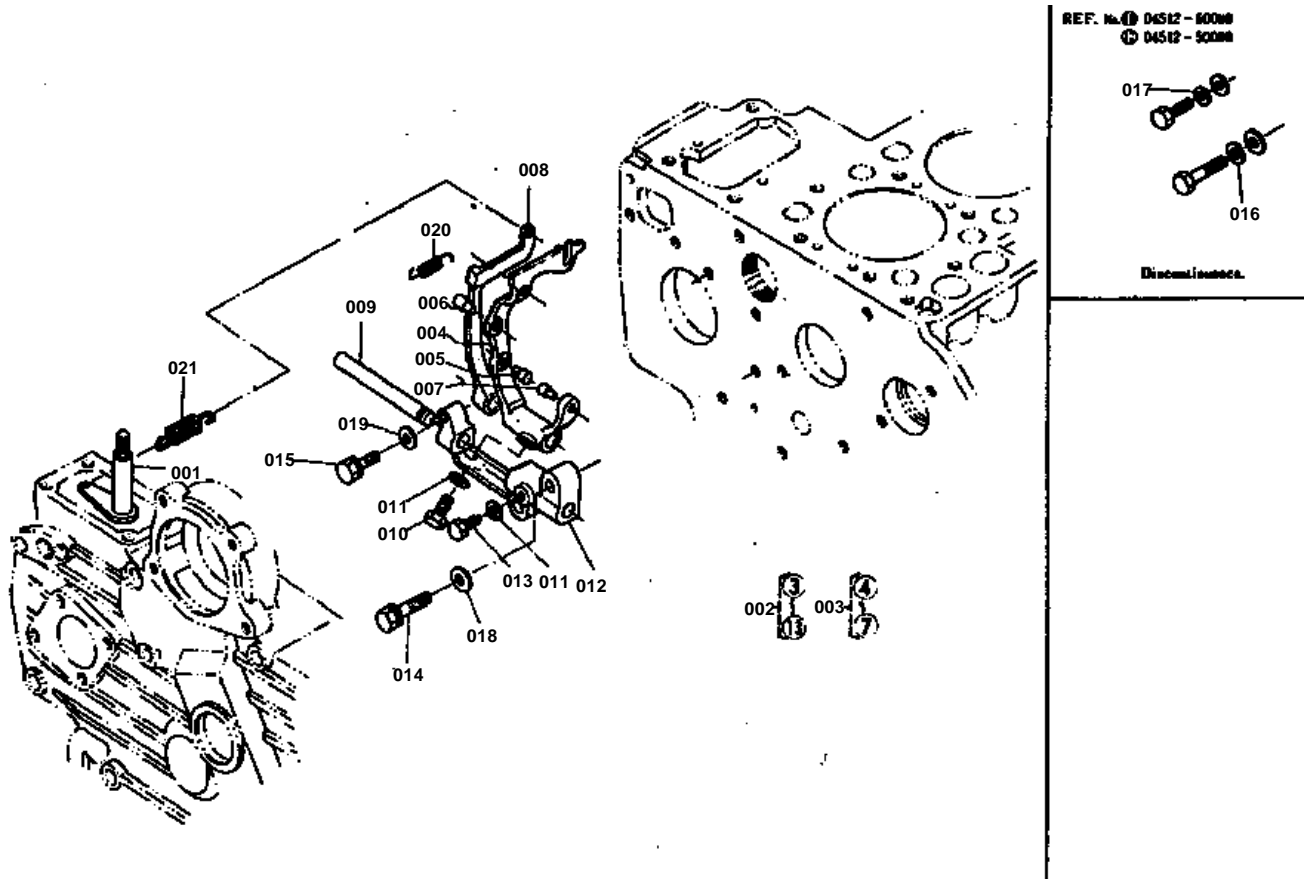
Discontinance.



## SPEED CONTROL PLATE

↔ Interchangeable; ≠ not interchangeable; ← new for old; → old for new

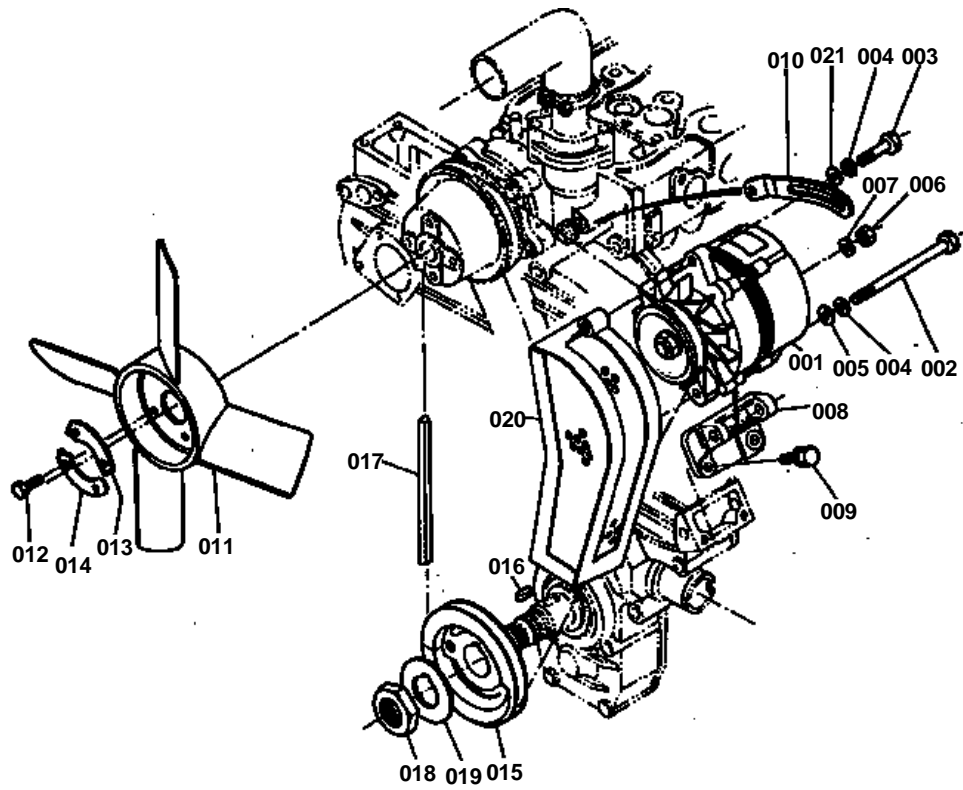
REF.No	Part No.	Description	Q'ty	S.No.	I/C	REMARKS	Weight (kgf)	Weight (lb)
001	15221-54020	ASSY APPARATUS,FUEL	1				0	0
002	15221-54030	ASSY APPARATUS,FUEL	1				0.045	0.099
003	99999-99999	BLANK	0			NON SALE	0	0
004	99999-99999	BLANK	0			NON SALE	0	0
005	15221-54230	SPRING	1				0.001	0.0022
006	99999-99999	BLANK	0			NON SALE	0	0
007	14301-54430	SCREW,SET	1				0.001	0.0022
008	14301-54250	NUT,LOCK	1				0.005	0.011
009	15221-54150	GASKET	2				0.001	0.0022
010	14301-54220	NUT,CAP	1				0.015	0.033
011	14301-54420	CAP	1				0.005	0.011
012	15321-54090	ASSY APPARATUS,IDLE	1	≤14147			0.04	0.088
012	15521-54090	ASSY APPARATUS,IDLE	1	≥14148			0.045	0.099
013	15321-54100	ASSY BOLT,ADJUSTING	1	≤14147			0.012	0.0264
013	15521-54100	ASSY BOLT,ADJUSTING	1	≥14148			0.015	0.033
014	15401-54250	BOLT,ADJUSTING	1	≤14147			0.01	0.022
014	15521-54250	BOLT,ADJUSTING	1	≥14148			0	0
015	15321-54260	SPRING	1	≤14147			0.005	0.011
015	15521-54260	SPRING	1	≥14148			0.001	0.0022
016	15401-92010	NUT	1				0.01	0.022
017	15401-92330	NUT,CAP	1	≤14147			0.01	0.022
017	15521-92330	NUT,CAP	1	≥14148			0.02	0.044
018	15021-33660	GASKET	1				0.001	0.0022
019	15401-54270	CAP	1				0.004	0.0088
020	15401-01930	COVER	1	≤14147			0.09	0.198
021	15221-05430	GASKET	1	≤14147			0	0
022	04512-50060	WASHER,SPRING	2	≤14147			0	0
023	01053-50616	BOLT	2	≤14147			0.005	0.011
024	15221-57150	LEVER,SPEED CONTROL	1				0.07	0.154
025	05712-00408	KEY,FEATHER	1				0.001	0.0022
026	04811-00120	O RING	1				0.001	0.0022
027	04013-50080	WASHER,PLAIN	1				0	0
028	02052-50080	NUT	2				0.004	0.0088
028	02112-50080	NUT	2	≥1001			0.003	0.0066
029	17011-57380	PLATE,FRICTION	1				0	0
030	15221-57110	PLATE,SPEED CONTROL	1				0	0
031	15221-57210	GASKET,CONT.PLATE	1				0	0
032	15221-88210	STUD	4				0.005	0.011
032	15221-88210	STUD	2	≥1001			0.005	0.011
033	02056-50060	NUT	5				0.002	0.0044
033	02056-50060	NUT	3	≥1001			0.002	0.0044
034	04512-50060	WASHER,SPRING	4				0	0
034	04512-50060	WASHER,SPRING	2	≥1001			0	0
035	04012-50060	WASHER,PLAIN	4	≤14147			0.001	0.0022
036	99999-99999	BLANK	0			NON SALE	0	0
037	99999-99999	BLANK	0			NON SALE	0	0
038	99999-99999	BLANK	0			NON SALE	0	0
039	01023-50620	BOLT	2	≥14148			0.006	0.0132





↔ Interchangeable; ≠ not interchangeable; ← new for old; → old for new

REF.No	Part No.	Description	Q'ty	S.No.	I/C	REMARKS	Weight (kgf)	Weight (lb)
001	15221-56020	ASSY LEVER,GOVERNOR	1				0.06	0.132
002	15221-56050	ASSY LEVER,FORK	1				0.385	0.847
003	15221-56040	ASSY LEVER,FORK	1				0.144	0.3168
004	99999-99999	BLANK	0			ORDER BY REF.No.003	0	0
005	99999-99999	BLANK	0			ORDER BY REF.No.003	0	0
006	99999-99999	BLANK	0			ORDER BY REF.No.003	0	0
007	99999-99999	BLANK	0			ORDER BY REF.No.003	0	0
008	15221-56130	LEVER,FORK	1				0.065	0.143
009	15221-56150	SHAFT,FORK LEVER	1				0.1	0.22
010	15021-56240	BOLT,LEVER SHAFT	1				0.005	0.011
011	04512-50060	WASHER,SPRING	2				0	0
012	15221-56230	HOLDER,FORK LEVER	1				0.1	0.22
013	15221-66410	BOLT	1				0.005	0.011
014	15221-91060	BOLT	2				0.155	0.341
014	01123-50832	BOLT	2	>=1001			0.016	0.0352
015	01053-50628	BOLT	1				0.008	0.0176
015	01023-50628	BOLT	1	>=1001			0.015	0.033
016	04512-50080	WASHER,SPRING	2	<=14147			0	0
017	04512-50060	WASHER,SPRING	1	<=14147			0	0
018	04012-50080	WASHER,PLAIN	2				0.001	0.0022
019	04012-50060	WASHER,PLAIN	1				0.001	0.0022
020	15221-56480	SPRING,START	1				0.008	0.0176
021	15221-56410	SPRING,GOVERNOR	1				0.005	0.011



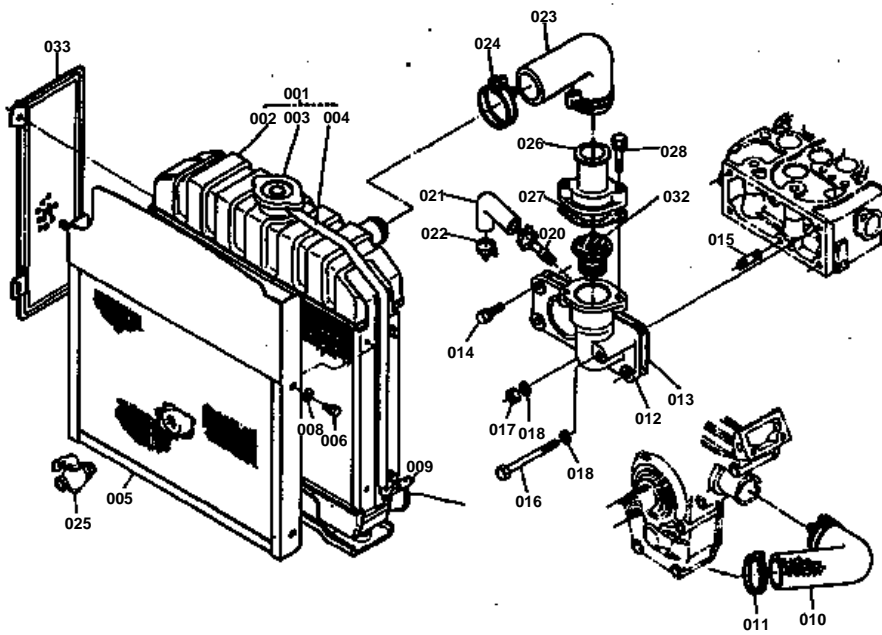


**DYNAMO**

↔ Interchangeable; ≠ not interchangeable; ← new for old; → old for new

REF.No	Part No.	Description	Q'ty	S.No.	I/C	REMARKS	Weight (kgf)	Weight (lb)
001	15321-64010	ASSY DYNAMO	1				0	0
002	15221-91010	BOLT	1				0	0
002	15521-91030	BOLT	1	≧1001			0	0
003	01053-50835	BOLT	1				0.016	0.0352
003	01153-50835	BOLT	1	≧1001			0.016	0.0352
004	04512-50080	WASHER,SPRING	4				0	0
004	04512-50080	WASHER,SPRING	2	≧1001			0	0
005	04012-50080	WASHER,PLAIN	2				0.001	0.0022
005	04012-50080	WASHER,PLAIN	1	≧1001			0.001	0.0022
006	02056-50060	NUT	1				0.002	0.0044
007	04512-50060	WASHER,SPRING	1				0	0
008	15321-64350	SUPPORT,DYNAMO	1				0.29	0.638
009	01053-50825	BOLT	2				0.014	0.0308
009	01123-50825	BOLT	2	≧1001			0.013	0.0286
010	15321-64420	STAY,DYNAMO	1				0.1	0.22
011	15321-74110	FAN	1				0.3	0.66
012	01053-50610	BOLT	4				0.004	0.0088
013	15321-74230	WASHER,FAN	1				0.005	0.011
014	15321-74240	WASHER,FAN	1				0.004	0.0088
015	15321-74280	PULLEY,FAN DRIVE	1				0	0
016	05712-00720	KEY,FEATHER	1				0.008	0.0176
017	15321-72530	BELT,FAN	1				0.09	0.198
018	15221-23360	NUT,CRANKSHAFT	1				0.11	0.242
019	15221-23380	WASHER,CRANKSHAFT	1				0.02	0.044
020	34260-13860	COVER,BELT LH	1				0	0
021	04013-50080	WASHER,PLAIN	1	≧14148			0	0

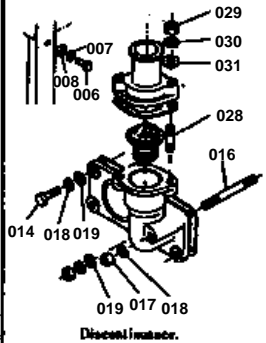
# RADIATOR



REF. No. ① 01202 - 50014  
 ② 04012 - 50060

034 035

REF. No. ① 01053 - 50012  
 ② 04512 - 50060  
 ③ 01265 - 50022  
 ④ 01513 - 50050  
 ⑤ 04012 - 50060  
 ⑥ 01518 - 50032  
 ⑦ 02265 - 50060  
 ⑧ 04512 - 50060  
 ⑨ 04012 - 50060



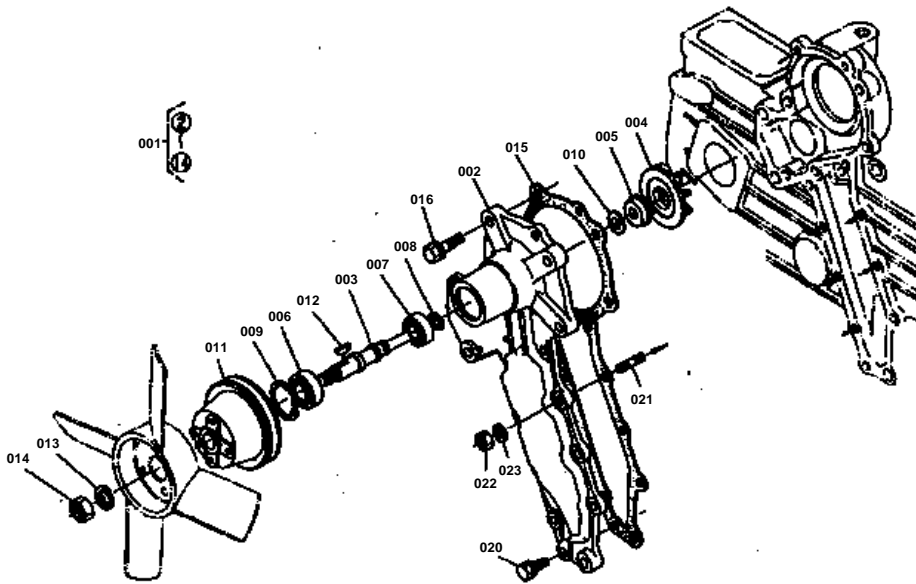
Discontinue.

**RADIATOR**

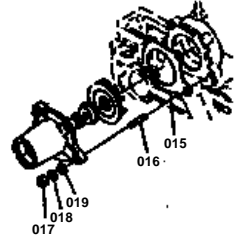
↔ Interchangeable; ≠ not interchangeable; ← new for old; → old for new

REF.No	Part No.	Description	Q'ty	S.No.	I/C	REMARKS	Weight (kgf)	Weight (lb)
001	15201-72060	ASSY RADIATOR	1				7	15.4
002	99999-99999	BLANK	0			ORDER BY REF.No.001	0	0
003	15101-72030	CAP,RADIATOR	1				0.075	0.165
004	15231-72710	PIPE,WATER OVER FLOW	1				0	0
005	15321-72250	NUT,RADIATOR	1				1.6	3.52
006	01053-50612	BOLT	4				0.004	0.0088
006	01023-50612	BOLT	4	>=1001			0.005	0.011
007	04512-50060	WASHER,SPRING	4	<=14147			0	0
008	04013-50060	WASHER,PLAIN	3				0	0
009	15021-72040	WHISTLE,STEEM	1				0.03	0.066
010	15321-72850	PIPE,WATER	1				0.181	0.3982
011	15108-72870	BAND	2				0.027	0.0594
012	15321-72910	FLANGE,WATER	1				0	0
013	15221-72920	GASKET,WATER FLANGE	1				0	0
014	01053-50822	BOLT	4				0.013	0.0286
014	01123-50822	BOLT	4	>=1001			0.012	0.0264
015	01513-50822	STUD	1				0.01	0.022
016	01513-50870	STUD	1				0.029	0.0638
016	01153-50870	BOLT	1	>=1001			0.026	0.0572
017	02056-50080	NUT	2				0.005	0.011
017	02156-50080	NUT	1	>=1001			0.004	0.0088
018	04512-50080	WASHER,SPRING	6				0	0
018	04512-50080	WASHER,SPRING	2	>=1001			0	0
019	04012-50080	WASHER,PLAIN	5	<=14147			0.001	0.0022
020	15321-73340	PIPE,WATER RETURN	1				0.016	0.0352
021	15321-73350	PIPE,WATER RETURN	1				0.02	0.044
022	15109-73360	BAND,PIPE	2				0.01	0.022
023	15321-72940	PIPE,WATER	1				0.134	0.2948
024	15108-72870	BAND	2				0.027	0.0594
025	14412-73110	COCK,DRAIN	1				0.09	0.198
026	15321-73260	COVER,THERMOSTAT	1				0.107	0.2354
027	15321-73270	GASKET	1				0	0
028	01518-50832	STUD	2				0.016	0.0352
028	01123-50835	BOLT	2	>=1001			0.02	0.044
029	02056-50080	NUT	2	<=14147			0.005	0.011
030	04512-50080	WASHER,SPRING	2	<=14147			0	0
031	04012-50080	WASHER,PLAIN	2	<=14147			0.001	0.0022
032	15321-73010	ASSY THERMOSTAT	1				0.068	0.1496
033	34200-13850	COVER,RADIATOR FAN	1				0	0
033	35240-13850	COVER,RADIATOR FAN	1	>=1001			0.4	0.88
034	01202-50614	BOLT	2	<=5569			0.006	0.0132
035	04012-50060	WASHER,PLAIN	2	<=5569			0.001	0.0022

# WATER PUMP



- REF. No. ① 15321-7303-0  
② 15321-7341-0  
③ 15321-7343-0  
④ 01514-04022  
⑤ 02054-04020  
⑥ 04512-30020  
⑦ 04012-50000

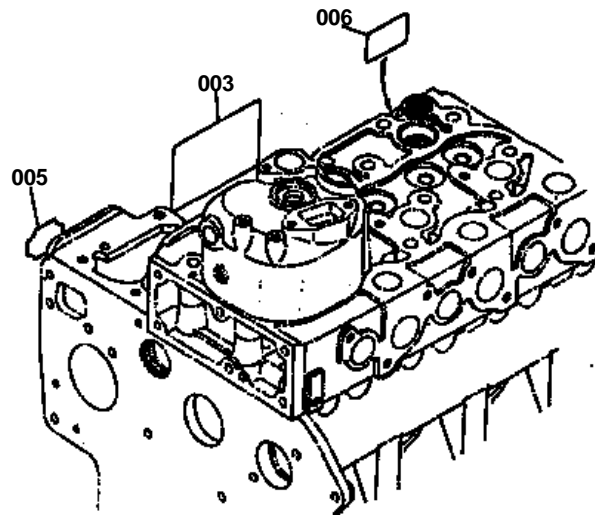
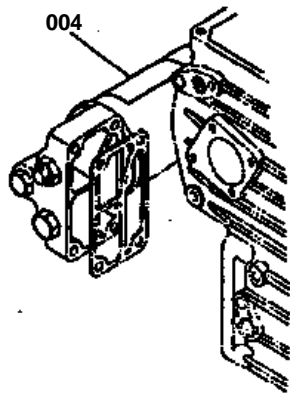




# WATER PUMP

↔ Interchangeable; ≠ not interchangeable; ← new for old; → old for new

REF.No	Part No.	Description	Q'ty	S.No.	I/C	REMARKS	Weight (kgf)	Weight (lb)
001	15321-73030	ASSY PUMP,WATER	1				0	0
001	15341-73030	ASSY PUMP,WATER	1				2	4.4
002	99999-99999	BLANK	0			ORDER BY REF.No.001	0	0
003	15321-73480	SHAFT,WATER PUMP	1				0.19	0.418
004	15321-73510	IMPELLER,WATER PUMP	1				0.22	0.484
005	15121-73050	SET SEAL	1				0	0
006	08143-06302	BEARING,BALL	1				0.082	0.1804
007	08143-06202	BEARING,BALL (6202UU	1				0.043	0.0946
008	04612-00150	CIR-CLIP,EXTERNAL	1				0.001	0.0022
009	04612-00420	CIR-CLIP,INTERNAL	1				0.006	0.0132
010	15121-73620	SLINGER	1				0.002	0.0044
011	15321-74250	PULLEY,FAN	1				0.65	1.43
012	05811-00416	KEY,WOODRUFF	1				0.002	0.0044
013	04512-50140	WASHER,SPRING	1				0	0
014	02076-50140	NUT	1				0.022	0.0484
015	15321-73430	GASKET,WATER PUMP	1	≤14147			0	0
015	15341-73430	GASKET,WATER PUMP	1	≥14148			0	0
016	01518-50822	STUD	1	≤14147			0.012	0.0264
016	01123-50828	BOLT	1	≥14148			0.014	0.0308
017	02056-50080	NUT	4	≤14147			0.005	0.011
018	04512-50080	WASHER,SPRING	4	≤14147			0	0
019	04012-50080	WASHER,PLAIN	4	≤14147			0.001	0.0022
020	01023-50618	BOLT	4	≥14148			0.006	0.0132
021	15221-88210	STUD	5	≥14148			0.005	0.011
022	02056-50060	NUT	5	≥14148			0.002	0.0044
023	04512-50060	WASHER,SPRING	5	≥14148			0	0

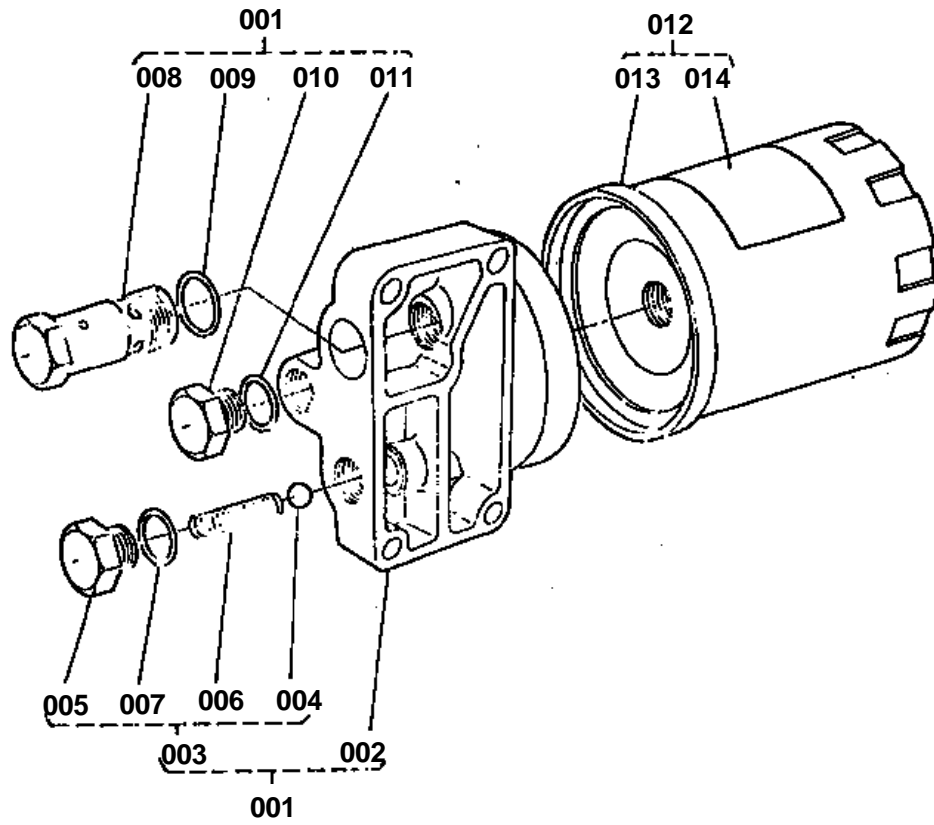




**NAME PLATE**

↔ Interchangeable; ≠ not interchangeable; ← new for old; → old for new

REF.No	Part No.	Description	Q'ty	S.No.	I/C	REMARKS	Weight (kgf)	Weight (lb)
001	99999-99999	BLANK	0				0	0
002	99999-99999	BLANK	0				0	0
003	15322-88310	LABEL,OIL	1				0.001	0.0022
004	15213-94400	LABEL,INSTRUCTION	1				0.001	0.0022
005	15222-87210	LABEL,INSTRUCTION	1				0.001	0.0022
006	15222-88210	LABEL	1				0.003	0.0066





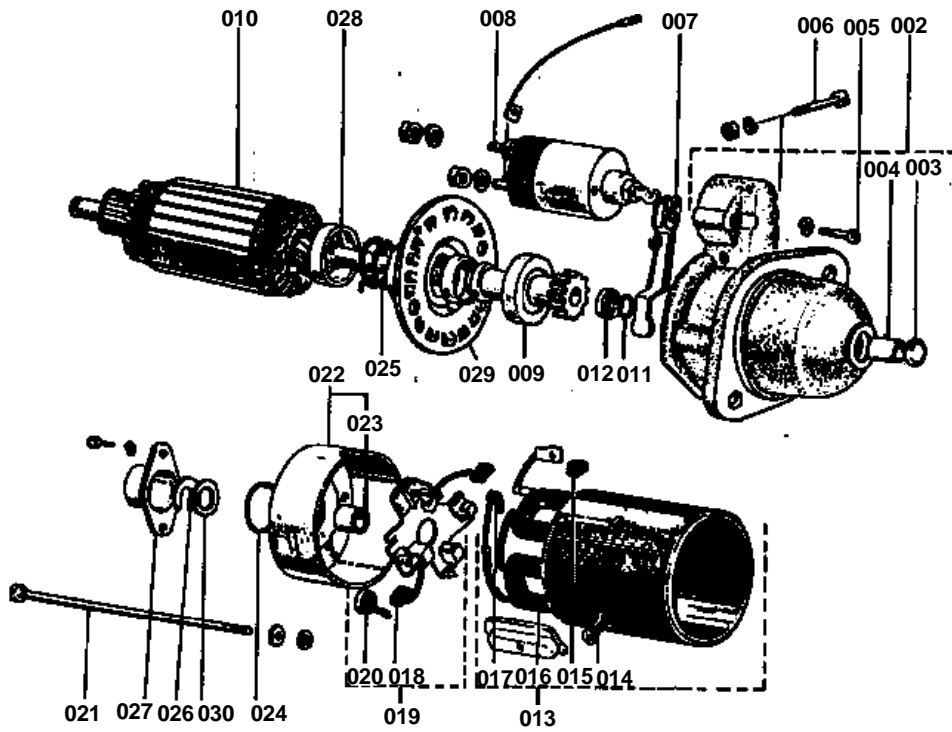


## OIL FILTER 2 [SECTION PARTS]

↔ Interchangeable; ≠ not interchangeable; ← new for old; → old for new

REF.No	Part No.	Description	Q'ty	S.No.	I/C	REMARKS	Weight (kgf)	Weight (lb)
001	15213-32070	ASSY COVER,FILTER	1				0.52	1.144
002	15213-32350	COVER	1				0.34	0.748
003	15101-32700	ASSY VALVE,SAFETY	1				0.036	0.0792
004	15101-36970	VALVE,SAFETY	1				0.004	0.0088
005	15101-32940	PLUG	1				0.03	0.066
006	15101-36950	SPRING	1				0.002	0.0044
007	15101-36920	O RING	1				0.001	0.0022
008	15213-36070	ASSY VALVE,RELEAF	1				0.13	0.286
009	04811-00200	O RING	1				0.001	0.0022
010	15213-32940	PLUG	1				0.017	0.0374
011	15213-36920	O RING	1				0.002	0.0044
012	15213-32090	ASSY CARTRIDGE	1				0.358	0.7876
013	15213-32430	FILTER,CARTRIDGE	1				0.355	0.781
014	15213-94400	LABEL,OIL FILTER	1				0.001	0.0022

# STARTER

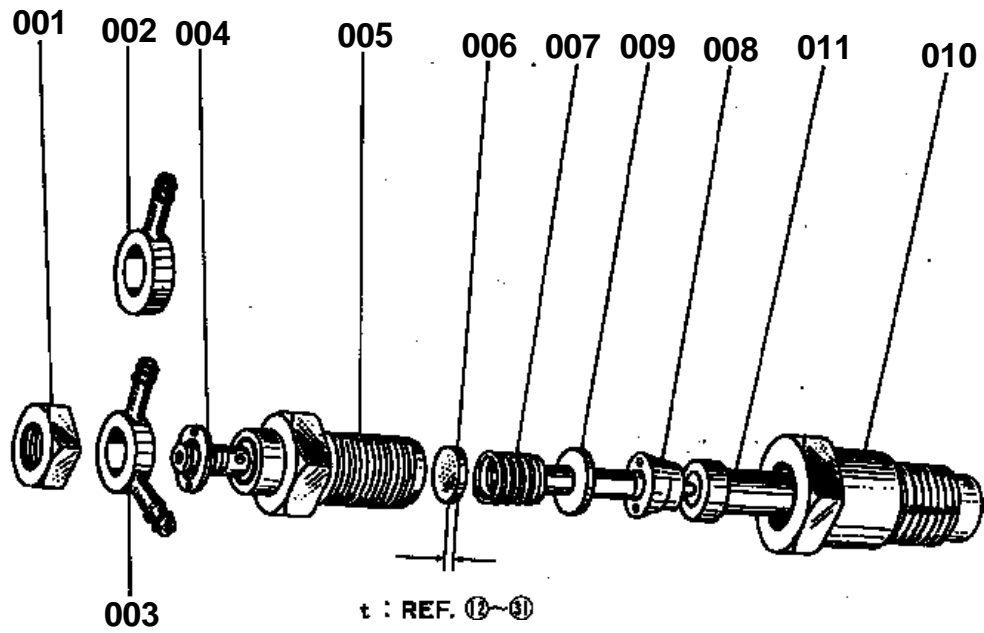


**STARTER**

↔ Interchangeable; ≠ not interchangeable; ← new for old; → old for new

REF.No	Part No.	Description	Q'ty	S.No.	I/C	REMARKS	Weight (kgf)	Weight (lb)
001	99999-99999	BLANK	0				0	0
002	15321-63030	DRIVE END FRAME	1				1.47	3.234
003	15321-96160	PLUG,BELCH	1				0.001	0.0022
004	17016-63250	BUSH	1				0.006	0.0132
005	15321-91370	BOLT,SET	1				0	0
006	15221-91020	BOLT	2				0.01	0.022
007	15221-63050	LEVER,DRIVE	1				0.044	0.0968
008	15321-63020	CLUTCH,MAGNET	1				0.65	1.43
009	15321-63040	CLUTCH	1				0.314	0.6908
010	15321-63070	ARMATURE	1				2.2	4.84
011	15221-94820	PIN,SNAP	1				0.001	0.0022
012	15321-63231	COLLAR	1				0	0
013	15321-63080	YOKE	1				2.62	5.764
014	15221-91380	BOLT,SET	2				0.008	0.0176
014	15321-91390	BOLT,SET	2				0.009	0.0198
015	15321-96680	GASKET	1				0.004	0.0088
016	15321-63090	COIL,FIELD	1				0.64	1.408
017	15321-63370	BRUSH	2				0.008	0.0176
018	15321-63360	BRUSH	2				0.008	0.0176
019	15321-63380	HOLDER,BRUSH	1				0.103	0.2266
020	15221-63390	SPRING,BRUSH	4				0.003	0.0066
021	15321-63320	BOLT,THROUGH	2				0.03	0.066
021	15341-63320	BOLT,THROUGH	2				0.035	0.077
022	15321-63200	END FRAME	1				0.28	0.616
022	15341-63200	END FRAME	1	>=1001			0	0
023	15221-63250	BUSH	1				0.006	0.0132
023	15321-63970	BUSH	1				0.006	0.0132
023	15321-63980	BUSH	1				0.006	0.0132
024	15221-96670	GASKET	1				0.001	0.0022
025	15321-63490	SPRING,RETURN	1				0.006	0.0132
026	15321-94030	WASHER	1				0.002	0.0044
027	15321-63510	CAP,END FRAME	1				0.01	0.022
028	15321-63480	HOLDER,SPRING	1				0.005	0.011
029	15321-63060	BEARING,CENTER	1				0.17	0.374
029	15341-63060	BEARING,CENTER	1	>=1001			0	0
030	15321-94010	WASHER,PLAIN	1				0.001	0.0022

NOZZLE HOLDER

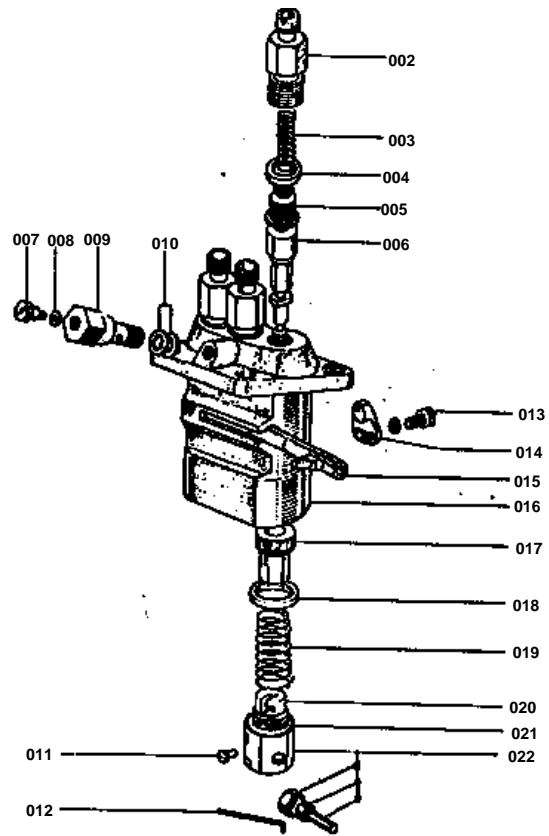


**NOZZLE HOLDER**

↔ Interchangeable; ≠ not interchangeable; ← new for old; → old for new

REF.No	Part No.	Description	Q'ty	S.No.	I/C	REMARKS	Weight (kgf)	Weight (lb)
001	15221-92020	NUT	1				0.011	0.0242
002	15221-95680	JOINT,EYE	1				0.021	0.0462
003	15221-95690	JOINT,EYE	1				0.022	0.0484
004	15221-94020	WASHER,PLAIN	1				0.002	0.0044
005	99999-99999	BLANK	0			ORDER BY REF.No.002	0	0
006	15221-53230	WASHER,ADJUSTING	1				0.001	0.0022
007	15221-53170	SPRING,NOZZLE	1				0.01	0.022
008	15221-53350	PIECE,DISTANCE	1				0.016	0.0352
009	15221-53160	ROD,PUSH	1				0.003	0.0066
010	15221-53280	NUT,NOZZLE	1				0.068	0.1496
011	15021-53610	PIECE,NOZZLE	1				0	0
012	15221-98110	WASHER,ADJUSTING 100	1	>=1001		THICK NESS=1.00	0.001	0.0022
013	15221-98120	WASHER,ADJUSTING 105	1	>=1001		THICK NESS=1.05	0.001	0.0022
014	15221-98130	WASHER,ADJUSTING 110	1	>=1001		THICK NESS=1.10	0.001	0.0022
015	15221-98140	WASHER,ADJUSTING 115	1	>=1001		THICK NESS=1.15	0.001	0.0022
016	15221-98150	WASHER,ADJUSTING 120	1	>=1001		THICK NESS=1.20	0.001	0.0022
017	15221-98160	WASHER,ADJUSTING 125	1	>=1001		THICK NESS=1.25	0.001	0.0022
018	15221-98170	WASHER,ADJUSTING 130	1	>=1001		THICK NESS=1.30	0.001	0.0022
019	15221-98180	WASHER,ADJUSTING 135	1	>=1001		THICK NESS=1.35	0.001	0.0022
020	15221-98190	WASHER,ADJUSTING 140	1	>=1001		THICK NESS=1.40	0.002	0.0044
021	15221-98200	WASHER,ADJUSTING 145	1	>=1001		THICK NESS=1.45	0.001	0.0022
022	15221-98210	WASHER,ADJUSTING 150	1	>=1001		THICK NESS=1.50	0.001	0.0022
023	15221-98220	WASHER,ADJUSTING 155	1	>=1001		THICK NESS=1.55	0.003	0.0066
024	15221-98230	WASHER,ADJUSTING 160	1	>=1001		THICK NESS=1.60	0.003	0.0066
025	15221-98240	WASHER,ADJUSTING 165	1	>=1001		THICK NESS=1.65	0.002	0.0044
026	15221-98250	WASHER,ADJUSTING 170	1	>=1001		THICK NESS=1.70	0.002	0.0044
027	15221-98260	WASHER,ADJUSTING 175	1	>=1001		THICK NESS=1.75	0.002	0.0044
028	15221-98270	WASHER,ADJUSTING 180	1	>=1001		THICK NESS=1.80	0.002	0.0044
029	15221-98280	WASHER,ADJUSTING 185	1	>=1001		THICK NESS=1.85	0.002	0.0044
030	15221-98290	WASHER,ADJUSTING 190	1	>=1001		THICK NESS=1.90	0.002	0.0044
031	15221-98300	WASHER,ADJUSTING 195	1	>=1001		THICK NESS=1.95	0.003	0.0066

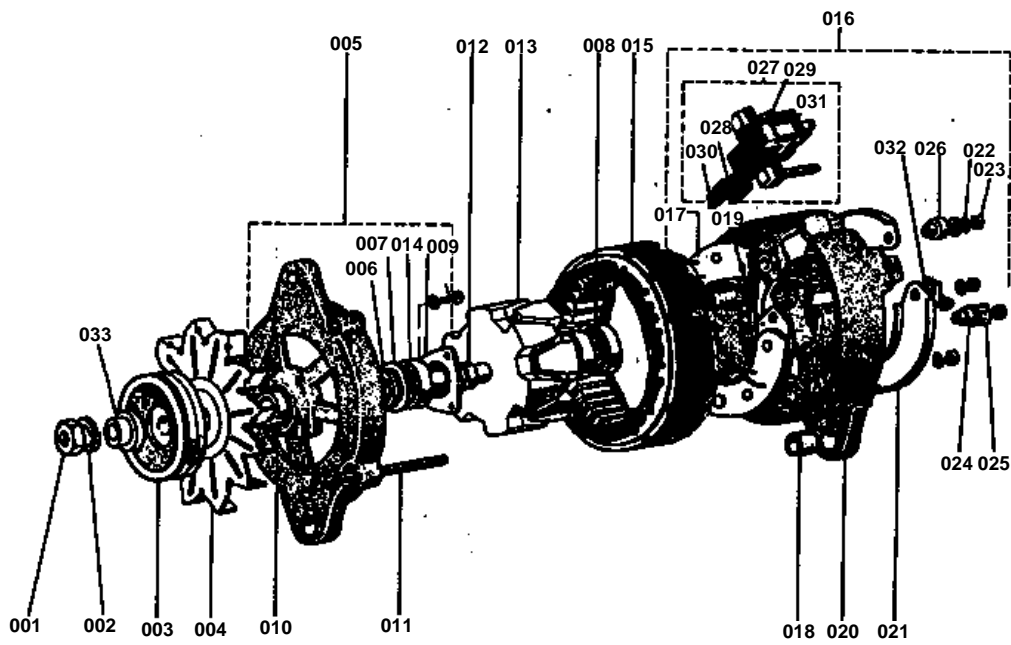
# INJECTION PUMP



**INJECTION PUMP**

↔ Interchangeable; ≠ not interchangeable; ← new for old; → old for new

REF.No	Part No.	Description	Q'ty	S.No.	I/C	REMARKS	Weight (kgf)	Weight (lb)
001	99999-99999	BLANK	0				0	0
002	15601-51220	HOLDER,DELIVERY VALV	3				0.055	0.121
003	15221-51230	SPRING,DELIVERY VALV	3				0.002	0.0044
004	15221-51240	GASKET,DELIVERY VALV	3				0.001	0.0022
005	15221-51030	VALVE,DELIVERY	3				0.012	0.0264
006	15221-51050	ELEMENT,PUMP	3				0.053	0.1166
007	15221-51350	SCREW	1				0.008	0.0176
008	15221-96660	GASKET	1				0.002	0.0044
009	15221-51320	SCREW	1				0.032	0.0704
010	15221-96650	GASKET	2				0.001	0.0022
011	15221-51250	PIN,TAPPET GUIDE	3				0.001	0.0022
012	15321-51430	PIN,CRANK	1				0.001	0.0022
013	15221-91030	BOLT	2				0	0
014	15221-51390	PLATE,ADJUSTING	2				0	0
015	15321-51060	PACK,CONTROL	1				0.038	0.0836
016	99999-99999	BLANK	0			ORDER BY REF.No.001 ON FIG.No.014	0	0
017	15221-51380	SLEEVE,CONTROL	3				0	0
018	15221-51270	SEAT,SPRING UPPER	2				0.004	0.0088
019	15221-51280	SPRING,PLUNGER	3				0.015	0.033
020	15221-51290	SEAT,SPRING LOWER	3				0.01	0.022
021	15221-51490	SHIM	3				0.002	0.0044
022	15221-51070	ASSY TAPPET	3				0.039	0.0858





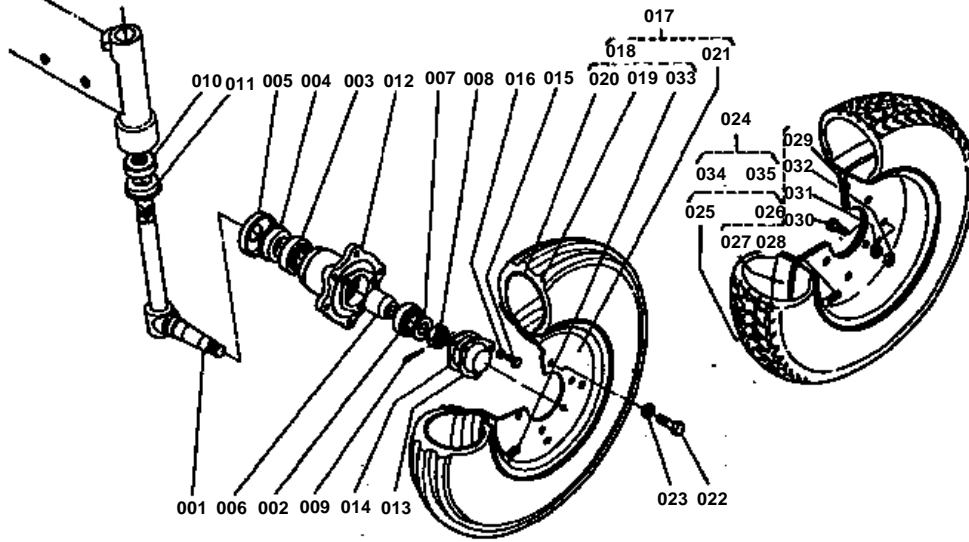
**DYNAMO**

↔ Interchangeable; ≠ not interchangeable; ← new for old; → old for new

REF.No	Part No.	Description	Q'ty	S.No.	I/C	REMARKS	Weight (kgf)	Weight (lb)
001	15221-92010	NUT	1				0.012	0.0264
002	15221-94070	WASHFR,SPRING	1				0.008	0.0176
003	15221-64110	PULLEY,DYNAMO	1				0.198	0.4356
004	15221-64130	FAN,DYNAMO	1				0	0
005	15321-64020	FRAME,DRIVE END	1				0	0
006	15221-64790	FELT,OIL	1				0.001	0.0022
007	15221-64830	COVER,FELT	1				0.003	0.0066
008	08121-06201	BEARING,BALL (6201ZZ	1				0.036	0.0792
009	15221-64710	PLATE,RETAINER	1				0.018	0.0396
010	15221-64150	COLLAR	1				0.008	0.0176
011	15321-64260	BOLT,THROUGH	2				0.008	0.0176
012	15321-64170	SPACER	1				0.007	0.0154
013	15321-64030	ARMATURE	1				1.29	2.838
014	08141-06202	BEARING,BALL (6202UU	1				0.043	0.0946
015	15321-64050	YOKE	1				0.75	1.65
016	15321-64070	ASSY FRAME,END	1				0.52	1.144
017	15321-64850	ASSY RELTIFIER	1				0.134	0.2948
018	15221-64210	BUSH	1				0.007	0.0154
019	15321-64880	WASHER,INSULATION	1				0.001	0.0022
020	15321-64060	FRAME,END	1				0.298	0.6556
021	15321-64230	COVER,END	1				0.029	0.0638
022	04512-50050	WASHER,SPRING	5				0	0
023	15221-92030	NUT	5				0.001	0.0022
024	15321-64920	BUSH,INSULATION	1				0.001	0.0022
025	14611-51400	WASHER	1				0	0
026	15221-64910	BUSH,INSULATION	1				0.001	0.0022
027	15321-64310	ASSY HOLDER,BRUSH	1				0.039	0.0858
028	15221-64330	SPRING,BRUSH	2				0.001	0.0022
029	15221-64880	WASHER,INSULATION	2				0.001	0.0022
030	15221-64090	BRUSH	2				0.002	0.0044
031	15321-64940	INSULATER,TERMINAL	1				0.001	0.0022
032	15321-67570	CLAMP,CORD	1				0.04	0.088
033	15321-64170	SPACER	1				0.007	0.0154

FRONT WHEEL [L245]

REF. No: 37300-1115-0  
Mod: 37300-1115-0  
Use a seal oil both on L245  
and L241.



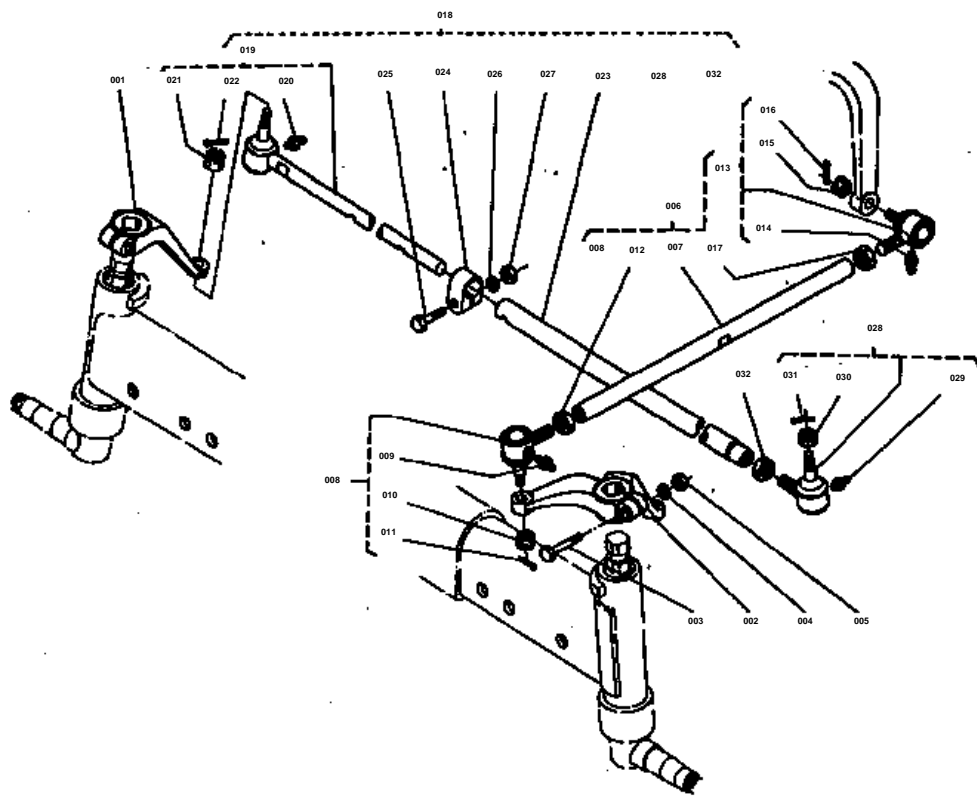


## FRONT WHEEL [L245]

↔ Interchangeable; ≠ not interchangeable; ← new for old; → old for new

REF.No	Part No.	Description	Q'ty	S.No.	I/C	REMARKS	Weight (kgf)	Weight (lb)
001	34220-11110	SHAFT KNUCKLE	2				2.5	5.5
002	08101-06205	BEARING BALL (6205)	2				0.14	0.308
003	08101-06206	BEARING BALL (6206)	2				0.196	0.4312
004	37300-11160	SEAL OIL	2				0.08	0.176
005	32240-11480	COVER DUST	2				0.08	0.176
006	32150-11420	COLLAR	2				0	0
006	38240-11420	SPACER	2				0.205	0.451
007	04011-50200	WASHER PLAIN	2				0.015	0.033
008	02372-50200	NUT SLOTTED	2				0.024	0.0528
009	05511-50435	PIN SPLIT	2				0.004	0.0088
010	32150-11510	BEARING THRUST BALL	2				0.14	0.308
011	37300-11430	SEAL OIL	2				0.05	0.11
012	34260-11310	HUB FRONT WHEEL	2				3	6.6
013	32240-11350	CAP FRONT WHEEL	2				0.065	0.143
014	32150-11360	GASKET	2				0	0
015	01150-50814	BOLT	6				0.01	0.022
016	04512-50080	WASHER SPRING	6				0	0
017	35210-11600	ASSY FRONT WHEEL	2			(5.00-15) L245F	14	30.8
018	32270-11610	ASSY TIRE	1				7.5	16.5
019	32270-11620	TIRE	1				6.3	13.86
020	32270-11630	TUBE	1				0.95	2.09
021	32270-11640	WHEEL	1				7.5	16.5
022	01173-51225	BOLT	12	<=53627			0.033	0.0726
022	01173-51228	BOLT	12	>=50001			0.036	0.0792
023	04512-50120	WASHER SPRING	12				0	0
024	35110-11800	ASSY FRONT WHEEL	2			(20X8.00-10) L245T	22.4	49.28
025	34159-11810	TIRE	1				5.6	12.32
026	99474-27290	ASSY WHEEL	1				5	11
027	99474-27210	RIM	1				4.7	10.34
028	34159-11850	VALVE	1				0.013	0.0286
029	99474-27250	GASKET	1				0	0
029	34159-11860	GASKET	2				0.05	0.11
029	34159-11860	GASKET	1	>=10001			0.05	0.11
030	01170-51022	BOLT	6				0	0
031	04512-50100	WASHER SPRING	6				0	0
032	02118-50100	NUT	6				0.005	0.011
033	32270-11650	VALVE	1				0.002	0.0044
034	35110-11820	ASSY FRONT WHEEL RH	1				10.6	23.32
035	35110-11830	ASSY FRONT WHEEL LH	1				10.6	23.32

FRONT WHEEL DRIVE



REF. 1 2 3



A : 680-674  
B : 645-638

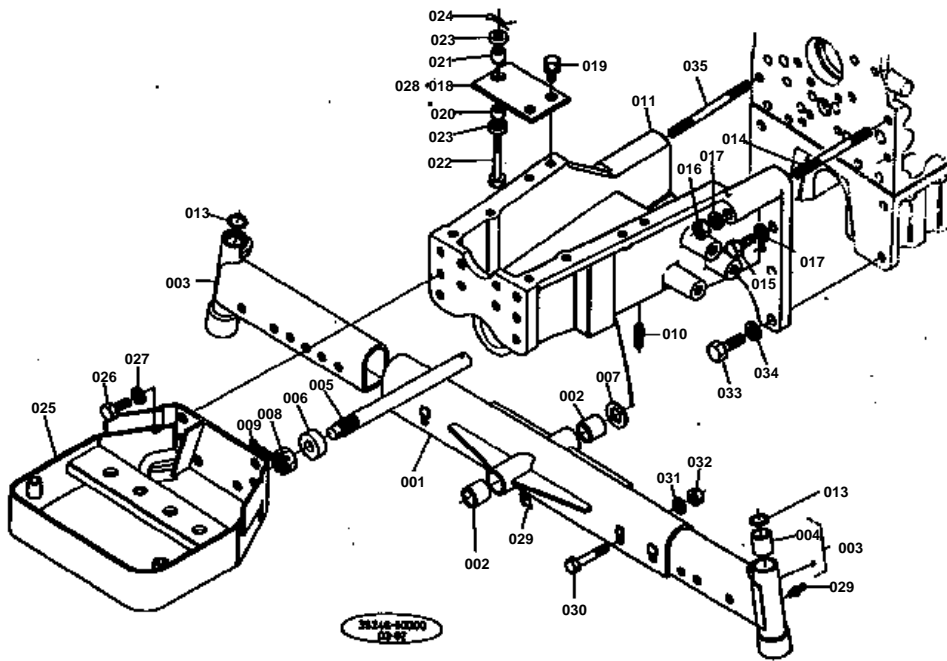


## FRONT WHEEL DRIVE

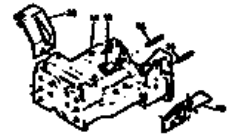
↔ Interchangeable; ≠ not interchangeable; ← new for old; → old for new

REF.No	Part No.	Description	Q'ty	S.No.	I/C	REMARKS	Weight (kgf)	Weight (lb)
001	34220-11210	ARM KNUCKLE RH	1				1.3	2.86
002	34220-11220	ARM KNUCKLE LH	1				1.9	4.18
003	32240-11270	BOLT	2				0.066	0.1452
004	04512-50120	WASHER SPRING	2				0	0
005	02174-50120	NUT	2				0.01	0.022
006	35210-12200	ASSY LINK DRAG	1				2.2	4.84
007	35210-12210	LINK DRAG	1				1	2.2
008	32150-12600	ASSY END TIE ROD RH	1				0	0
009	06613-10675	NIPPLE GREASE	1				0.003	0.0066
010	02370-50100	NUT SLOTTED	1	≤13205			0	0
010	32350-12830	NUT SLOTTED	1	≥50001			0.015	0.033
011	05511-50222	PIN SPLIT	1				0.001	0.0022
012	02172-50160	NUT	1				0.017	0.0374
013	32150-12700	ASSY END TIE ROD LH	1				0.287	0.6314
014	06613-10675	NIPPLE GREASE	1				0.003	0.0066
015	32350-12830	NUT SLOTTED	1				0.015	0.033
016	05511-50222	PIN SPLIT	1				0.001	0.0022
017	32240-12280	NUT	1				0.017	0.0374
018	35210-12400	ASSY ROD TIE	1	≤50150			2.25	4.95
018	35210-12403	ASSY ROD TIE	1	≥50151			0	0
019	35210-12410	TIE ROD MIDDLE	1				1	2.2
020	34150-12840	NIPPLE GREASE	1				0.003	0.0066
020	06613-10675	NIPPLE GREASE	1	≤13205			0.003	0.0066
021	02372-50100	NUT SLOTTED	1				0.005	0.011
021	32350-12830	NUT SLOTTED	1	≥50001			0.015	0.033
022	05511-50222	PIN SPLIT	1				0.001	0.0022
023	34220-12450	TIE ROD OUTER	1	≤50150			0.8	1.76
023	35210-12450	TIE ROD OUTER	1	≥50151			0.9	1.98
024	32210-12470	CLAMP	1				0	0
025	32210-12480	BOLT	1				0.03	0.066
026	04512-50100	WASHER SPRING	1				0	0
027	02118-50100	NUT	1				0.005	0.011
028	32150-12600	ASSY END TIE ROD RH	1				0	0
029	34150-12840	NIPPLE GREASE	1				0.003	0.0066
030	32350-12830	NUT SLOTTED	1				0.015	0.033
031	05511-50222	PIN SPLIT	1				0.001	0.0022
032	02172-50160	NUT	1				0.017	0.0374

# FRONT AXLE



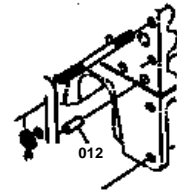
REF. No. ① 3510-1206-0  
② 3710-1207-0  
③ 3710-1208-0  
④ 3520-1273-0  
⑤ 3520-1274-0



REF. No. ⑥ 3610-1301-0



REF. No. ⑦ 05012-0M18



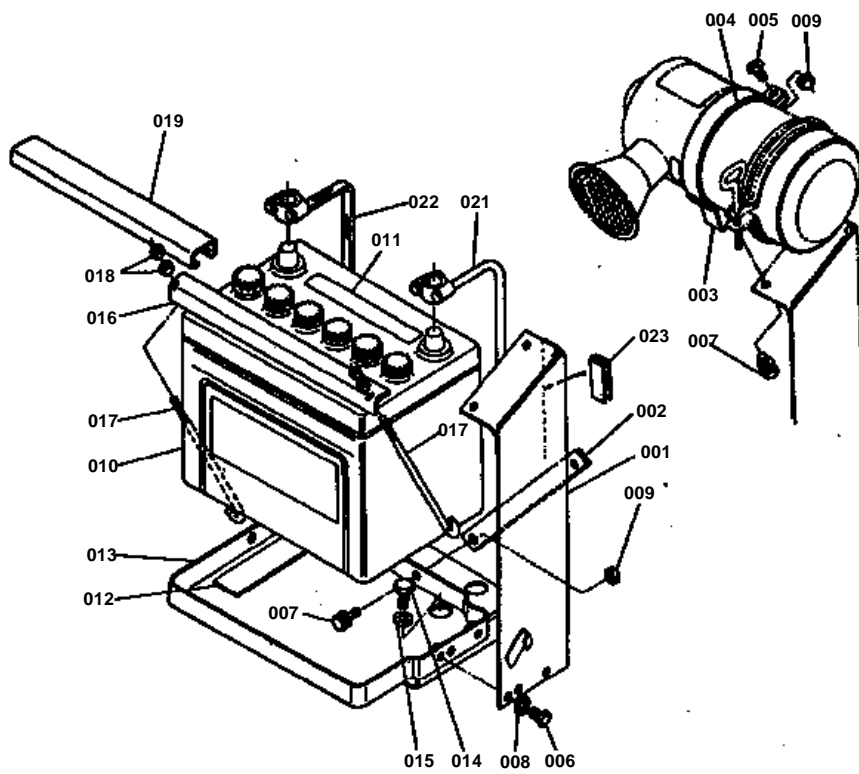
Discontinua.



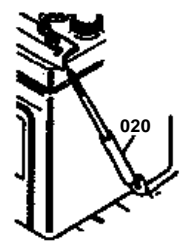
## FRONT AXLE

↔ Interchangeable; ≠ not interchangeable; ← new for old; → old for new

REF.No	Part No.	Description	Q'ty	S.No.	I/C	REMARKS	Weight (kgf)	Weight (lb)
001	35210-13110	AXLE FRONT MIDDLE	1				10.5	23.1
002	34150-13430	BUSH	2				0.027	0.0594
003	35210-13120	AXLE FRONT OUTER	2				5	11
004	32150-11530	BUSH	2				0.063	0.1386
005	37150-13410	PIN CENTER	1				0.615	1.353
006	37150-13460	COLLAR ADJUSTING	1				0.1	0.22
007	64135-35510	COLLAR	1				0.01	0.022
008	32210-13480	NUT ADJUSTING	1				0.112	0.2464
009	05511-50430	PIN SPLIT	1				0.004	0.0088
010	05411-00840	PIN SPRING	1				0.008	0.0176
011	35110-13650	BRACKET FRONT AXLE	1	<=13205			12.85	28.27
011	35170-13650	BRACKET FRONT AXLE	1	>=50001			0	0
011	35170-13654	BRACKET FRONT AXLE	1	>=54668			16.9	37.18
012	05012-01018	PIN STRAIGHT	2				0.012	0.0264
013	04811-00280	O RING	2				0.002	0.0044
014	37150-13670	STUD	5	<=13205			0.028	0.0616
014	34260-13640	STUD	2	>=50001			0.074	0.1628
015	01173-51030	BOLT	1	>=50001			0.023	0.0506
016	37150-13660	NUT	5	<=13205			0.02	0.044
016	37300-14190	NUT	2	>=50001			0.009	0.0198
017	04512-50100	WASHER SPRING	5	<=13205			0	0
017	04512-50100	WASHER SPRING	3	>=50001			0	0
018	35210-13750	SUPPORT RADIATOR LH	1	<=13205			0.26	0.572
018	34200-13750	SUPPORT RADIATOR	1	>=50001			0.232	0.5104
019	01130-51020	BOLT	4				0	0
020	15111-72180	CUSHION	2				0.015	0.033
021	15111-72190	CUSHION	2				0.016	0.0352
022	15108-72380	BOLT	2				0.04	0.088
023	15111-72200	WASHER	4				0.013	0.0286
024	05515-51000	PIN SNAP	2				0	0
025	34218-13810	BUMPER	1	<=13205			5	11
025	35110-13810	BUMPER	1	>=50001			5.8	12.76
026	01173-51230	BOLT	4				0.037	0.0814
027	04512-50120	WASHER SPRING	4				0	0
028	35210-13760	SUPPORT RADIATOR RH	1	<=13205			0.25	0.55
028	34200-13750	SUPPORT RADIATOR	1	>=50001			0.232	0.5104
029	06613-10010	NIPPLE GREASE	3				0.006	0.0132
030	01173-51480	BOLT	4				0.103	0.2266
031	04512-50140	WASHER SPRING	4				0	0
032	02174-50140	NUT	4				0.014	0.0308
033	01173-51235	BOLT	4	>=50001			0.04	0.088
034	04512-50120	WASHER SPRING	4	>=50001			0	0
035	35260-13630	STUD	1	>=53708			0.08	0.176



REF. NO. 34150-3328-0



Discontinua.

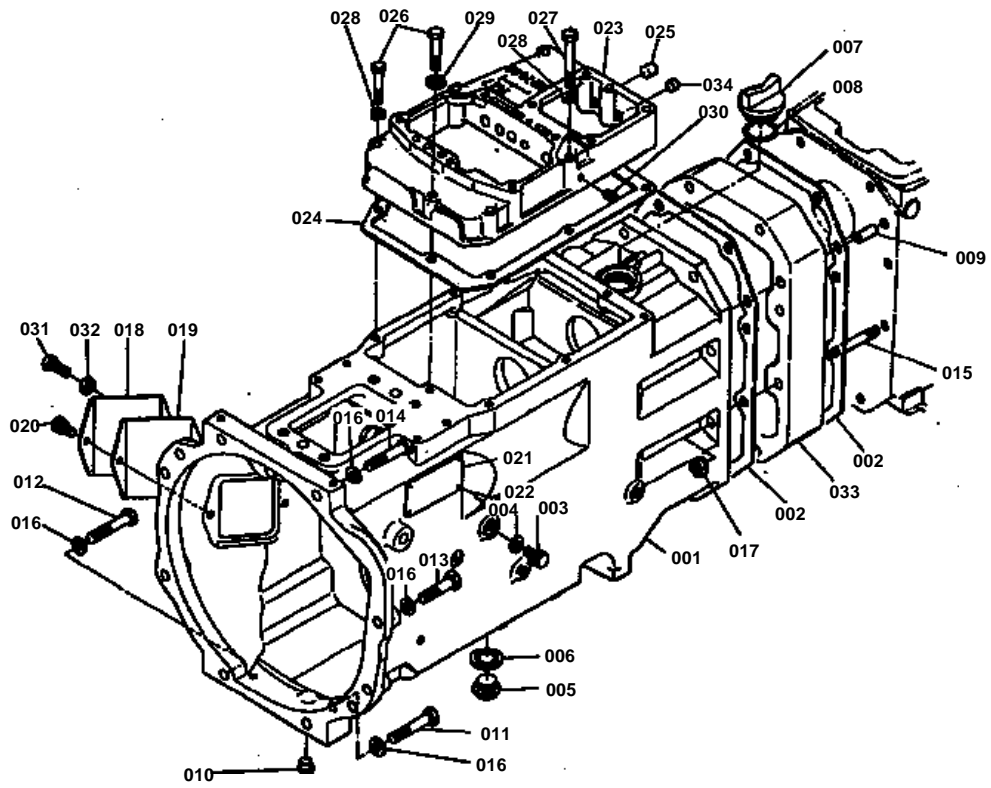


**BATTERY**

↔ Interchangeable; ≠ not interchangeable; ← new for old; → old for new

REF.No	Part No.	Description	Q'ty	S.No.	I/C	REMARKS	Weight (kgf)	Weight (lb)
001	34159-13910	SUPPORT AIR CLEANER	1				0	0
001	35170-13910	SUPPORT AIR CLEANER	1				0.65	1.43
002	34159-13920	STAY AIR SUPPORT	1				0.13	0.286
003	34150-13960	BAND AIR CLEANER	1				0.178	0.3916
004	34150-13970	CUSHION	1				0.02	0.044
005	01222-50842	BOLT	1				0.017	0.0374
006	01150-50812	BOLT	2				0.009	0.0198
007	01120-50816	BOLT	4				0	0
008	04411-50080	WASHER LOCK TOOTHED	2				0.001	0.0022
009	02114-50080	NUT	3				0.005	0.011
010	32210-33200	BATTERY:DRY	1				13.8	30.36
011	31210-33130	LABEL BATTERY	1				0.002	0.0044
012	34150-33220	CUSHION	2				0.015	0.033
013	37220-33210	SUPPORT BATTERY	1	<=13205			3.2	7.04
013	35240-33210	SUPPORT BATTERY	1	>=50001			3.32	7.304
014	01170-51018	BOLT	4				0.017	0.0374
015	04512-50100	WASHER SPRING	4				0	0
016	32200-33270	RETAINER BATTERY	1				0.218	0.4796
017	34150-33290	BOLT HOOK	2				0.055	0.121
018	02014-50060	NUT	4				0.003	0.0066
019	34200-33390	COVER BATTERY	1				0.04	0.088
020	34150-33280	PIPE RUBBER	2	<=53627			0.004	0.0088
021	37220-33330	CORD BATTERY	1				0	0
022	37220-33380	CORD EARTH	1				0.21	0.462
023	37150-13920	CUSHION	1				0.005	0.011

# CLUTCH HOUSING

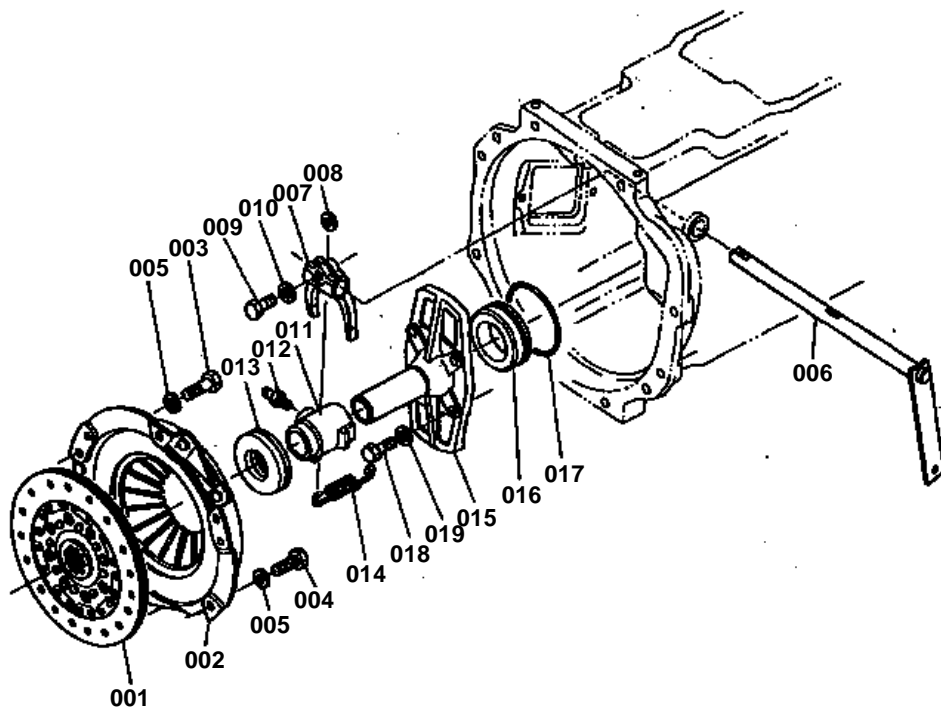


**CLUTCH HOUSING**

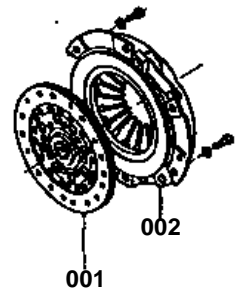
↔ Interchangeable; ≠ not interchangeable; ← new for old; → old for new

REF.No	Part No.	Description	Q'ty	S.No.	I/C	REMARKS	Weight (kgf)	Weight (lb)
001	37150-14110	HOUSING CLUTCH	1				41.5	91.3
002	34150-14140	PACKING	2				0	0
003	06311-25010	PLUG	1				0.014	0.0308
004	04717-01000	WASHER SEAL	1				0.001	0.0022
005	34150-14260	PLUG DRAIN	1				0	0
006	04717-02150	WASHER SEAL	1				0.004	0.0088
007	32240-21410	PLUG	1				0.005	0.011
007	38430-21410	PLUG	1				0.045	0.099
008	04811-50300	O RING	1				0.001	0.0022
009	37150-14150	PIN STRAIGHT	4				0.125	0.275
009	05012-01018	PIN STRAIGHT	4				0.012	0.0264
010	32210-27580	PLUG	6				0.001	0.0022
011	01173-51070	BOLT	1				0.044	0.0968
012	01173-51050	BOLT	1				0.035	0.077
013	01173-51040	BOLT	4				0.028	0.0616
014	01173-51042	BOLT	2				0.03	0.066
015	35110-14180	STUD	8				0.06	0.132
016	04512-50100	WASHER SPRING	8				0	0
017	37150-14190	NUT	8				0.016	0.0352
018	34150-14160	COVER HOUSING	1				0.15	0.33
019	34150-14170	GASKET HOUSING	1				0.03	0.066
020	01120-50816	BOLT	1				0	0
021	35210-19830	NAME PLATE BODY	1			L245F	0.004	0.0088
021	35220-19830	NAME PLATE BODY	1			L245DT	0.002	0.0044
022	34152-57920	RIVET	4				0.001	0.0022
023	37150-21210	COVER SPEED CHANGE	1				1.14	2.508
024	34650-59140	GASKET	1				0	0
025	34150-21250	PLUG	5				0.002	0.0044
026	01153-50840	BOLT	3				0.018	0.0396
027	01153-50850	BOLT	3				0.02	0.044
028	04512-50080	WASHER SPRING	5				0	0
029	04717-00800	WASHER SEAL	1				0.001	0.0022
030	34150-23960	PLUG	2				0	0
031	01150-50825	BOLT	1				0	0
032	02114-50080	NUT	1				0.005	0.011
033	34159-14150	SPACER	1			>=50001	0	0
033	38240-21150	SPACER	1			<=54667	3.5	7.7
033	38240-21153	SPACER	1			>=54668	0	0
034	34269-21250	PLUG	1				0	0

# CLUTCH



REF. No. 35300-1430-0  
34220-1450-0



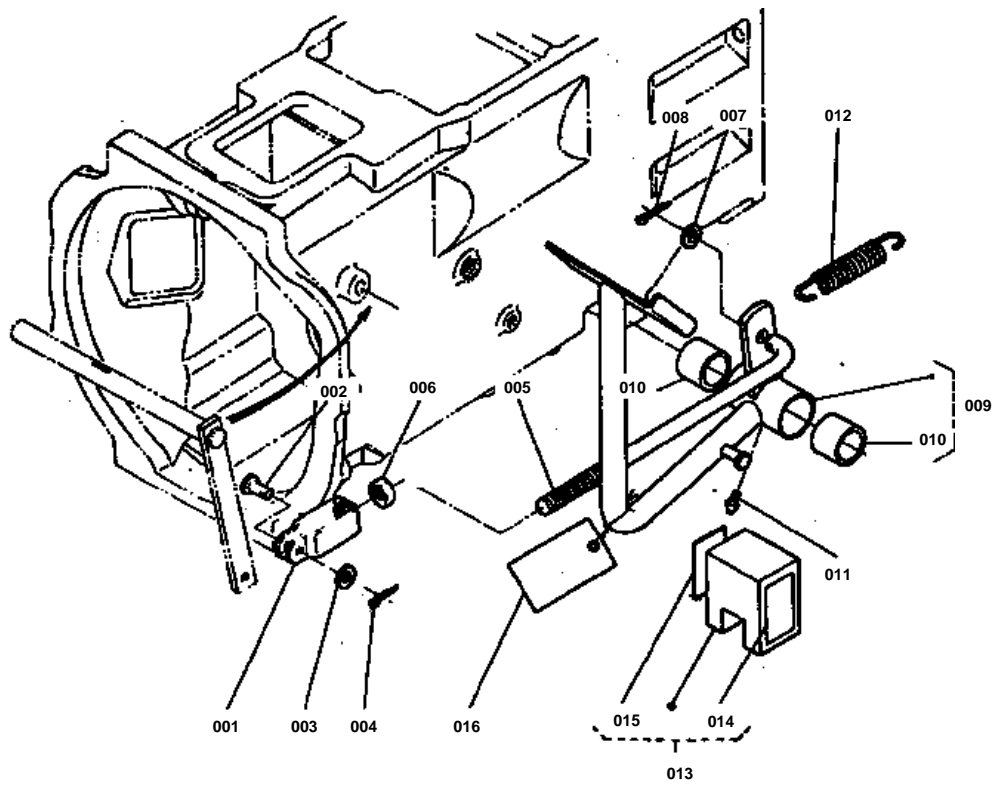


# CLUTCH

↔ Interchangeable; ≠ not interchangeable; ← new for old; → old for new

REF.No	Part No.	Description	Q'ty	S.No.	I/C	REMARKS	Weight (kgf)	Weight (lb)
001	34220-14300	ASSY DISK CLUTCH	1	≤13205			0	0
001	34220-14300	ASSY DISK CLUTCH	1	≥50001			0	0
001	35300-14300	ASSY DISK CLUTCH	1	≥51281			0	0
001	38240-14300	ASSY DISK CLUTCH	1				0	0
002	34220-14500	ASSY PLATE PRESSURE	1				0	0
002	37300-14500	ASSY PLATE PRESSURE	1	≥50001			4.5	9.9
003	34220-14510	BOLT REAMER	2				0.013	0.0286
004	01153-50816	BOLT	4				0.01	0.022
005	04512-50080	WASHER SPRING	6				0	0
006	37220-14710	LEVER CLUTCH	1				0.473	1.0406
007	31150-14720	FORK	1				0.24	0.528
008	31150-14780	KEY FORK	1				0.003	0.0066
009	01153-50822	BOLT	1				0.011	0.0242
010	04512-50080	WASHER SPRING	1				0	0
011	37220-14810	HUB CLUTCH RELEASE	1				0	0
012	06613-10010	NIPPLE GREASE	1				0.006	0.0132
013	08490-00001	BEARING CLUTCH LEVER	1				0.227	0.4994
014	34150-14840	SPRING	1				0.01	0.022
015	37150-15410	CASE PROPELLER SHAFT	1				0	0
016	37150-15420	SPACER	1				0.105	0.231
017	04811-50650	O RING	1				0.002	0.0044
018	01153-50830	BOLT	4				0	0
019	04512-50080	WASHER SPRING	4				0	0

# CLUTCH PEDAL



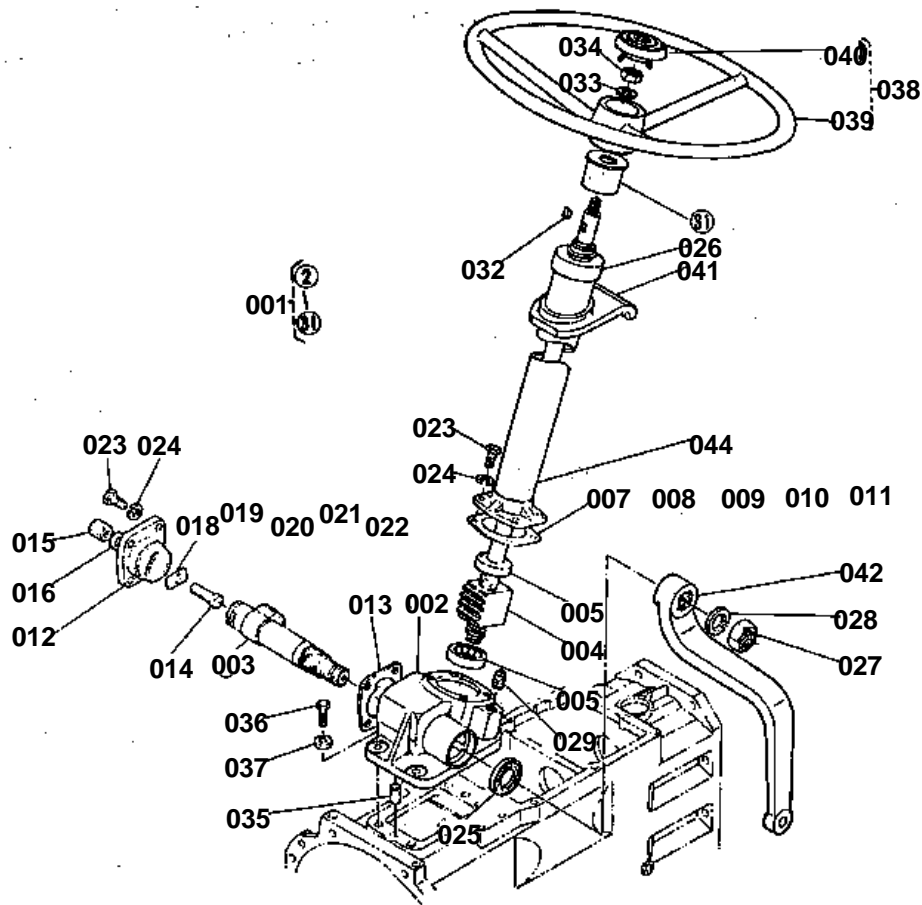


# CLUTCH PEDAL

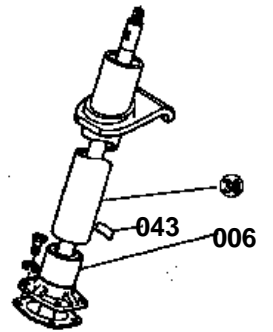
↔ Interchangeable; ≠ not interchangeable; ← new for old; → old for new

REF.No	Part No.	Description	Q'ty	S.No.	I/C	REMARKS	Weight (kgf)	Weight (lb)
001	34150-15630	JOINT FORKED	1				0.095	0.209
002	05112-50822	PIN JOINT	1				0.01	0.022
003	04012-50080	WASHER PLAIN	1				0.001	0.0022
004	05511-50220	PIN SPLIT	1				0.001	0.0022
005	34150-15640	ROD CLUTCH	1				0.195	0.429
006	02172-50120	NUT	1				0.01	0.022
007	04013-50120	WASHER PLAIN	1				0	0
008	05511-50425	PIN SPLIT	1				0.003	0.0066
009	37150-15710	PEDAL CLUTCH	1				1.4	3.08
010	34150-28430	BUSH	2				0.04	0.088
011	06613-10675	NIPPLE GREASE	1				0.003	0.0066
012	37150-15840	SPRING	1				0.06	0.132
013	34159-15900	ASSY PIECE DISTANCE	1				0.05	0.11
014	31220-15970	MARK SPACER	1				0.001	0.0022
015	32170-15930	LABEL PEDAL A	1				0.001	0.0022
016	32140-15940	CARD INSTRUCTION	1			L245	0	0
016	35170-15940	CARD INSTRUCTION	1			L245DT	0.015	0.033

STEERING

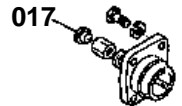


REF. No. ⑥ 34150-1631-0  
 ⑦ 34150-1651-0  
 ⑧ 35110-1654-0



Discontinuance.

REF. No. ⑦ 61011-1814-0



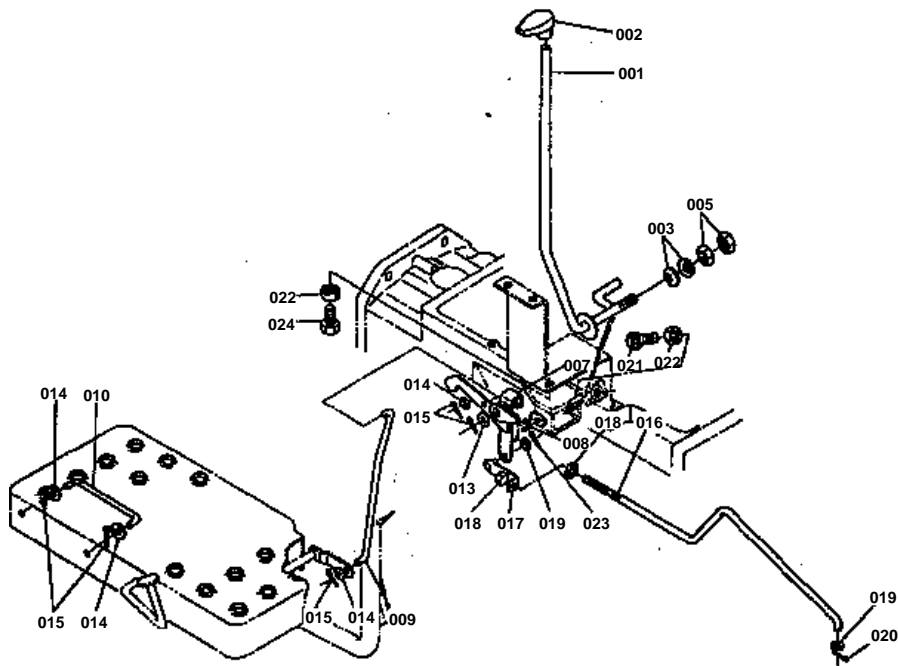
Discontinuance.



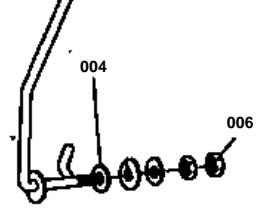
**STEERING**

↔ Interchangeable; ≠ not interchangeable; ← new for old; → old for new

REF.No	Part No.	Description	Q'ty	S.No.	I/C	REMARKS	Weight (kgf)	Weight (lb)
001	34150-16100	ASSY STEERING	1	<=51281			0	0
001	35240-16100	ASSY STEERING	1	>=51282			7.2	15.84
002	34150-16110	CASE GEAR	1	<=51281			2.716	5.9752
002	35240-16110	CASE GEAR	1	>=51282			2.9	6.38
003	34150-16120	SHAFT SECTOR	1	<=51281			0.67	1.474
003	34150-16120	SHAFT SECTOR	1	<=54254			0.67	1.474
003	35240-16120	SHAFT SECTOR	1	>=51282			0	0
003	35240-16120	SHAFT SECTOR	1	>=54255			0	0
004	34150-16200	BALL NUT	1				1.62	3.564
005	34150-16220	BEARING THRUST BALL	2				0.05	0.11
006	34150-16310	COVER REAR	1	<=51281			0.49	1.078
007	34150-16320	SHIM	1				0.001	0.0022
008	34150-16330	SHIM	1				0.001	0.0022
009	34150-16340	SHIM	1				0.001	0.0022
010	34150-16350	SHIM	1				0.001	0.0022
011	34150-16360	SHIM	2				0.003	0.0066
012	34150-16410	COVER SIDE	1				0.361	0.7942
013	34150-16420	GASKET	1				0.001	0.0022
014	34150-16430	SCREW ADJUSTING	1				0.026	0.0572
015	34150-16490	NUT	1				0.024	0.0528
015	02116-50100	NUT	1				0.004	0.0088
016	04714-00100	GASKET	1				0.002	0.0044
016	38430-16490	WASHER SEAL	1				0.015	0.033
017	61011-18140	PLUG RUBBER	1				0.002	0.0044
018	34150-16440	COLLAR ADJUSTING 1	1				0.002	0.0044
019	34150-16450	COLLAR ADJUSTING 2	1				0.002	0.0044
020	34150-16460	COLLAR ADJUSTING 3	1				0.002	0.0044
021	34150-16470	COLLAR ADJUSTING 4	1				0.002	0.0044
022	34150-16480	COLLAR ADJUSTING 5	1				0.002	0.0044
023	01153-50822	BOLT	8				0.011	0.0242
024	04512-50080	WASHER SPRING	8				0	0
025	09500-26387	SEAL OIL	1				0.008	0.0176
026	09500-19328	SEAL OIL	1	<=51281			0.015	0.033
026	37300-16390	SEAL OIL	1	>=51282			0.03	0.066
027	02172-50200	NUT	1				0.03	0.066
028	04512-50200	WASHER SPRING	1				0	0
029	34150-16640	PLUG	1				0.015	0.033
030	34150-16510	POST STEERING	1				1.34	2.948
031	34150-16520	BUSH	1	<=51281			0.04	0.088
031	32200-16520	BUSH	1	>=51282			0.045	0.099
031	32200-16490	BUSH	1				0.005	0.011
032	05811-00519	KEY WOODRUFF	1				0.004	0.0088
033	04512-50120	WASHER SPRING	1				0	0
034	37150-15990	NUT	1				0.08	0.176
035	37150-27370	PIN STRAIGHT	2				0.009	0.0198
036	01173-51025	BOLT	4				0.021	0.0462
037	04512-50100	WASHER SPRING	4				0	0
038	37150-16800	ASSY WHEEL STEERING	1				2.3	5.06
039	99999-99999	BLANK	0			ORDER BY REF.No.038	0	0
040	37150-16820	CAP HANDLE	1				0.026	0.0572
041	37150-16850	HOLDER HANDLE POST	1				0.04	0.088
042	34220-16910	ARM PITMAN	1			L245	1.3	2.86
042	34160-43930	ARM PITMAN	1			L245DT	1.12	2.464
043	35110-16540	LABEL	1	<=51281			0.001	0.0022
044	35240-16300	COMP CLAM	1				1.28	2.816

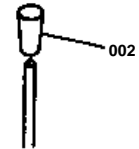


REF. No. ① 04015-50100  
② 02116-50108



Discontinua.

REF. No. ③ 34150-2450-0

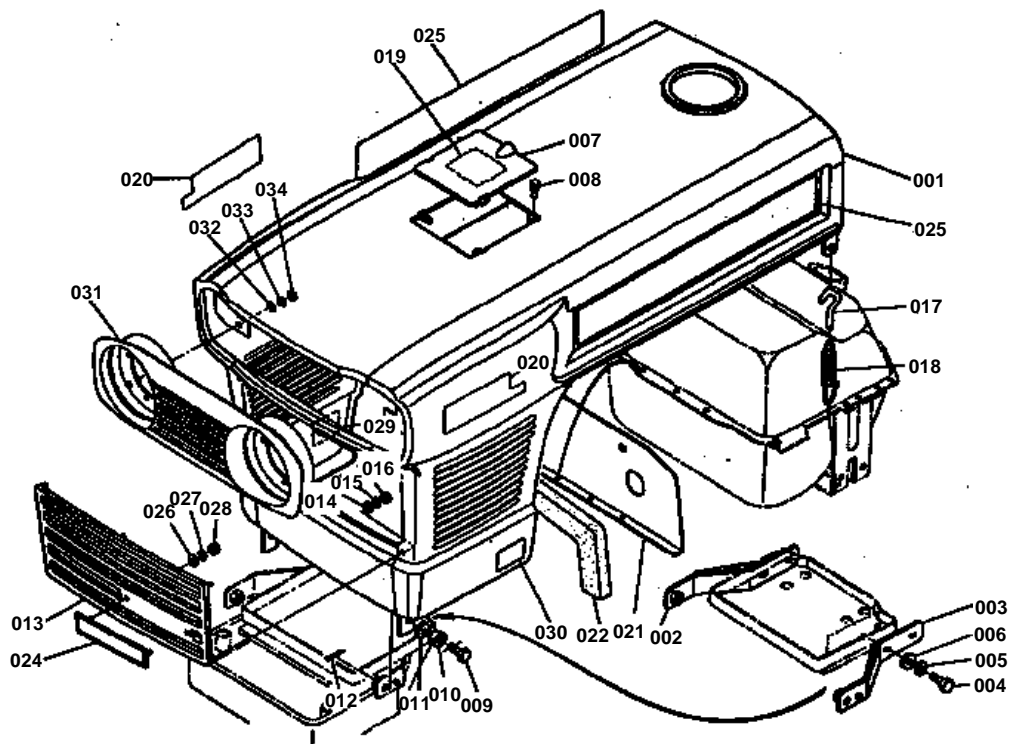


**HAND ACCEL**

↔ Interchangeable; ≠ not interchangeable; ← new for old; → old for new

REF.No	Part No.	Description	Q'ty	S.No.	I/C	REMARKS	Weight (kgf)	Weight (lb)
001	37150-17120	LEVER HAND ACCEL	1	≤53786			0.32	0.704
001	35170-17120	LEVER HAND ACCEL	1	≥53787			0.345	0.759
002	34150-24560	GRIP LEVER	1	≤53786			0	0
002	35320-17170	GRIP ACCEL	1	≥53787			0.018	0.0396
003	32210-17190	SPRING	1	≤53786			0.005	0.011
003	34260-17190	SPRING	2	≥53787			0.002	0.0044
004	04015-50100	WASHER PLAIN	2	≤53786			0.016	0.0352
005	02118-50100	NUT	1	≤53786			0.005	0.011
005	02118-50100	NUT	2	≥53787			0.005	0.011
006	02116-50100	NUT	1	≤53786			0.004	0.0088
007	34150-17320	LINK ACCELERATOR	1	≤53786			0.09	0.198
007	35170-17320	LINK ACCELERATOR	1	≥53787			0.12	0.264
008	34150-17260	SPRING	1				0.01	0.022
009	37150-17570	ROD ACCELERATOR 1	1				0.06	0.132
010	37150-17580	ROD ACCELERATOR 2	1				0.025	0.055
011	35110-17590	LABEL	1			NOT SHOWN IN FIG.	0.002	0.0044
012	35110-17610	LABEL	1			NOT SHOWN IN FIG.	0.002	0.0044
013	04012-50080	WASHER PLAIN	1				0.001	0.0022
014	04012-50060	WASHER PLAIN	4				0.001	0.0022
015	05511-50212	PIN SPLIT	5				0.001	0.0022
016	34200-17360	ROD ACCELERATOR	1				0.14	0.308
017	34150-17390	JOINT ROD	1				0.025	0.055
018	02012-50060	NUT	2				0	0
019	04012-50060	WASHER PLAIN	2				0.001	0.0022
020	05511-50212	PIN SPLIT	1				0.001	0.0022
021	01152-50835	BOLT	1				0.015	0.033
022	02112-50080	NUT	1	≤53786			0.003	0.0066
022	02112-50080	NUT	2	≥53787			0.003	0.0066
023	05511-51612	PIN SPLIT	1				0.001	0.0022
024	01152-50835	BOLT	1				0.015	0.033

# BONNET

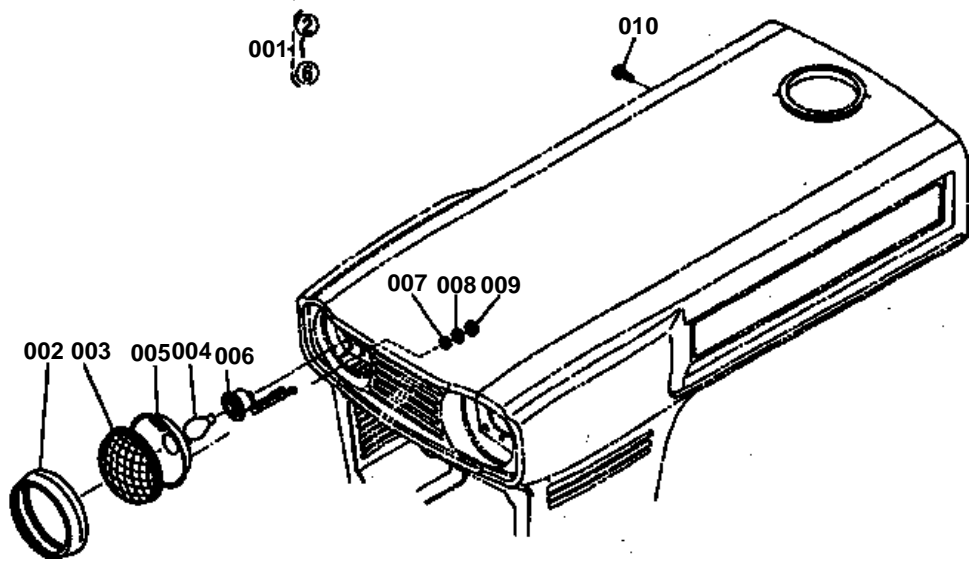


**BONNET**

↔ Interchangeable; ≠ not interchangeable; ← new for old; → old for new

REF.No	Part No.	Description	Q'ty	S.No.	I/C	REMARKS	Weight (kgf)	Weight (lb)
001	37220-18113	ASSY BONNET	1				0	0
002	37220-18120	SUPPORT BONNET RH	1				0.33	0.726
003	37220-18130	SUPPORT BONNET LH	1				0.31	0.682
004	01173-51025	BOLT	4				0.021	0.0462
005	04512-50100	WASHER SPRING	4				0	0
006	04015-50100	WASHER PLAIN	4				0.016	0.0352
007	32280-18120	COVER BONNET	1				0.226	0.4972
008	32280-18180	CUSHION	2				0.001	0.0022
009	34150-18170	BOLT	2				0.04	0.088
010	34150-18180	CUSHION	2				0.003	0.0066
011	04013-50120	WASHER PLAIN	2				0	0
012	05511-50425	PIN SPLIT	2				0.003	0.0066
013	34150-18190	GRILLE BONNET	1				0.385	0.847
014	04013-50050	WASHER PLAIN	6				0	0
015	04512-50050	WASHER SPRING	6				0	0
016	02054-50050	NUT	6				0.002	0.0044
017	37150-18143	HOOK BONNET	2				0.021	0.0462
018	37150-18170	SPRING	2				0.025	0.055
019	15101-94610	LABEL RAGIATOR	1				0.002	0.0044
020	35170-18290	LABEL	2	>=50001			0.003	0.0066
021	34200-18060	PLATE SHUTTER	1				0.6	1.32
022	34200-18070	CUSHION	1				0.012	0.0264
023	99999-99999	BLANK	0				0	0
024	32240-18260	MARK FRONT KUBOTA	1				0.027	0.0594
025	35210-18280	MARK SIDE KUBOTA	2			L245	0.02	0.044
025	35220-44910	MARK SIDE KUBOTA	2			L245DT	0.045	0.099
026	04013-50050	WASHER PLAIN	2				0	0
027	04512-50050	WASHER SPRING	2				0	0
028	02054-50050	NUT	2				0.002	0.0044
029	32150-18250	LABEL INSTRUCTION	1				0.001	0.0022
030	15103-94590	LABEL DRAINAGE	1				0.001	0.0022
031	34200-18150	GRILLE LAMP	1				0.815	1.793
032	04015-50050	WASHER PLAIN	4				0.004	0.0088
033	04512-50050	WASHER SPRING	4				0	0
034	02054-50050	NUT	4				0.002	0.0044

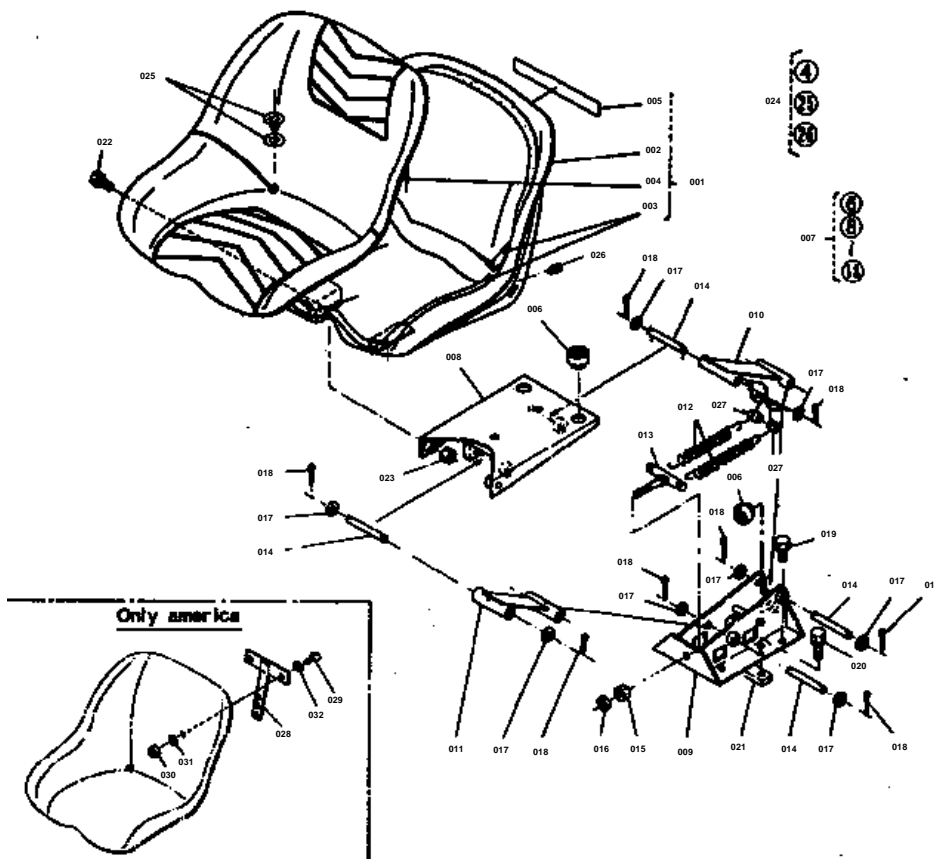
MIRROR LAMP



**MIRROR LAMP**

↔ Interchangeable; ≠ not interchangeable; ← new for old; → old for new

REF.No	Part No.	Description	Q'ty	S.No.	I/C	REMARKS	Weight (kgf)	Weight (lb)
001	32240-33800	ASSY LAMP HEAD	2				0.33	0.726
002	32240-33810	BODY	1				0.06	0.132
003	32280-33830	LENS	1				0.098	0.2156
004	32150-33840	LAMP	1				0.014	0.0308
005	32240-33870	REFLECTOR	1				0.135	0.297
006	32280-33850	RUBBER	1				0.005	0.011
007	04013-50050	WASHER PLAIN	6				0	0
008	04512-50050	WASHER SPRING	6				0	0
009	02054-50050	NUT	6				0.002	0.0044
010	03024-50510	SCREW	2				0.002	0.0044



REF. no. ① 3510-100-0  
 One position (3210-104-2)  
 included in ASSY.

REF. no. ② 3510-000-0  
 ① 3500-000-0  
 ② 3510-000-1  
 ③ 3510-000-0

Adapted, Code No.  
 service parts.



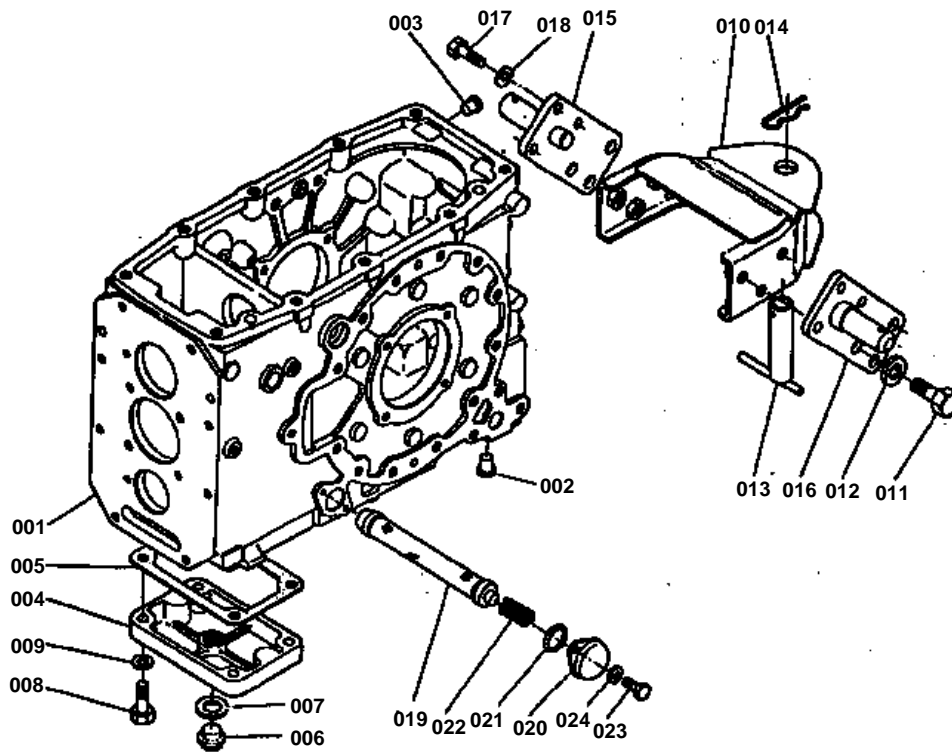


## SEAT

↔ Interchangeable; ≠ not interchangeable; ← new for old; → old for new

REF.No	Part No.	Description	Q'ty	S.No.	I/C	REMARKS	Weight (kgf)	Weight (lb)
001	35110-85010	ASSY SEAT	1				0	0
002	99999-99999	BLANK	0			ORDER BY REF.No.001	0	0
003	99999-99999	BLANK	0			ORDER BY REF.No.001	0	0
004	99999-99999	BLANK	0			ORDER BY REF.No.001	0	0
005	32140-18470	MARK KUBOTA	1				0.002	0.0044
006	32160-18440	CUSHION	2				0.013	0.0286
007	34269-18400	ASSY SUSPENSION SEAT	1	<=10885			0	0
007	35110-18400	ASSY SUSPENSION SEAT	1	>=10886			4.3	9.46
007	35110-18400	ASSY SUSPENSION SEAT	1	>=50001			4.3	9.46
008	99999-99999	BLANK	0			ORDER BY REF.No.007	0	0
009	99999-99999	BLANK	0			ORDER BY REF.No.007	0	0
010	35258-18430	ARM 1	1				0.67	1.474
011	99999-99999	BLANK	0			ORDER BY REF.No.007	0	0
012	34119-18450	SPRING SEAT	2				0.117	0.2574
013	34269-18460	BOLT ADJUSTING	1				0.075	0.165
013	35258-18460	BOLT ADJUSTING	1				0.08	0.176
014	34269-18490	PIN	4				0.06	0.132
015	02118-50100	NUT	1				0.005	0.011
016	02116-50100	NUT	1				0.004	0.0088
017	04013-50100	WASHER PLAIN	8				0	0
018	05511-50222	PIN SPLIT	8				0.001	0.0022
019	01130-51020	BOLT	2				0	0
020	01130-51030	BOLT	2				0	0
021	35110-18460	SPACER	1				0.2	0.44
022	35110-18470	BOLT	2				0.012	0.0264
023	02114-50080	NUT	2				0.005	0.011
024	35110-99100	ASSY COVER SEAT	1	>=54808			0.52	1.144
025	35110-85050	EYE-LET	4	>=54808		SERVICE PARTS.	0.005	0.011
026	35110-85060	PROTECTOR	3	>=54808		SERVICE PARTS.	0.01	0.022
027	35258-18480	ROLLER	2	>=54808			0.005	0.011
028	35320-18480	BRACKET PLATE	1	>=53488		L245-3	0.22	0.484
029	03014-50616	BOLT	2	>=53488		L245-3	0.003	0.0066
030	02014-50060	NUT	2	>=53488		L245-3	0.003	0.0066
031	04512-50060	WASHER SPRING	2	>=53488		L245-3	0	0
032	04012-50060	WASHER PLAIN	2	>=53488		L245-3	0.001	0.0022

TRANSMISSION CASE



REF. No. 37150-2871-0

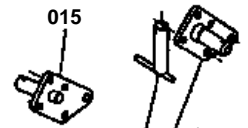
010



REF. No. 37150-2872-0

37150-2873-0  
37150-2874-0

015

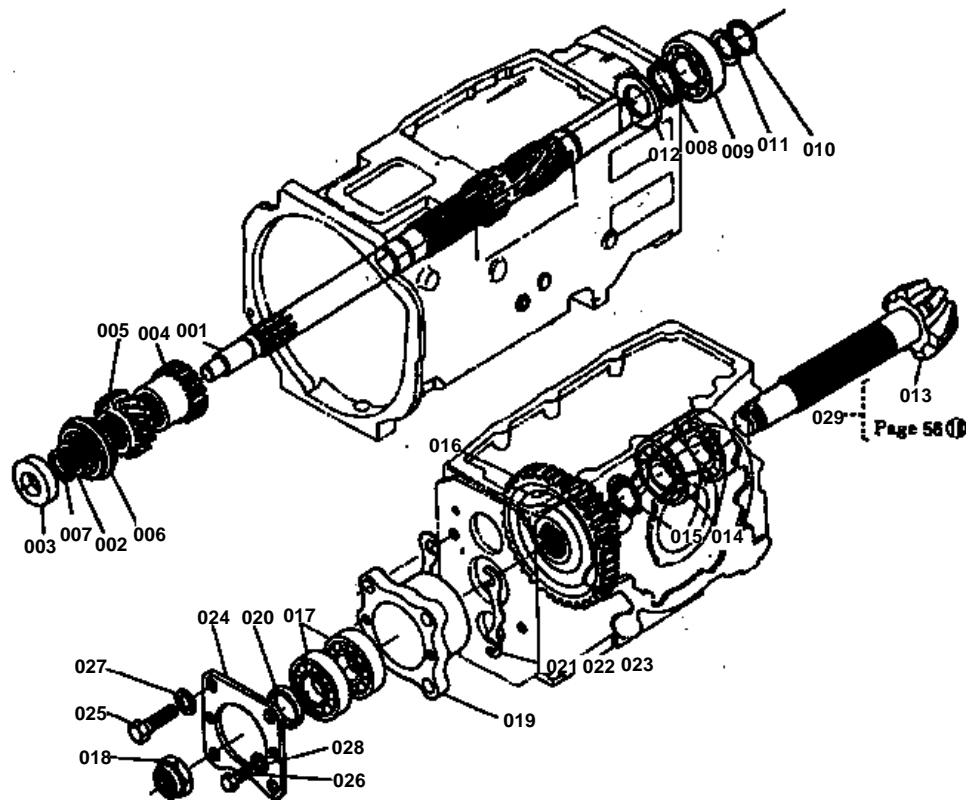


013 016

**TRANSMISSION CASE**

↔ Interchangeable; ≠ not interchangeable; ← new for old; → old for new

REF.No	Part No.	Description	Q'ty	S.No.	I/C	REMARKS	Weight (kgf)	Weight (lb)
001	37150-21113	CASE TRANSMISSION	1				0	0
002	31220-14290	PLUG	4				0.002	0.0044
003	32210-27580	PLUG	4				0.001	0.0022
004	37150-21270	COVER	1	←=54667			3.6	7.92
004	37150-21273	COVER	1	≥=50001			0	0
005	37150-21282	GASKET	1				0	0
006	34150-14260	PLUG DRAIN	1				0	0
006	06331-35012	PLUG	1	≥=50001			0.022	0.0484
007	04717-02150	WASHER SEAL	1	←=54667			0.004	0.0088
007	04717-01200	WASHER SEAL	1	≥=54668			0.002	0.0044
008	01173-51235	BOLT	4				0.04	0.088
009	04512-50120	WASHER SPRING	4				0	0
010	37150-29710	HITCT	1	←=11975			2.1	4.62
010	35110-29710	HITCT	1	≥=11976			3.15	6.93
010	35110-29710	HITCT	1	≥=50001			3.15	6.93
011	01173-51428	BOLT	4	←=11975			0.049	0.1078
011	01173-51428	BOLT	6	≥=11976			0.049	0.1078
011	01173-51428	BOLT	6	≥=50001			0.049	0.1078
012	04512-50140	WASHER SPRING	4	←=11975			0	0
012	04512-50140	WASHER SPRING	6	≥=11976			0	0
012	04512-50140	WASHER SPRING	6	≥=50001			0	0
013	37150-29720	PIN HITCH	1	←=11975			0.355	0.781
013	35110-29720	PIN HITCH	1	≥=11976			0.38	0.836
013	35110-29720	PIN HITCH	1	≥=50001			0.38	0.836
014	33251-89310	PIN SET	1				0.032	0.0704
014	70515-16330	PIN SPRING	1	≥=50001			0.028	0.0616
015	37150-29730	BRACKET HITCH RH	1	←=11975			0.835	1.837
015	35110-29740	BRACKET HITCH RH	1	≥=11976			0.88	1.936
015	35110-29740	BRACKET HITCH RH	1	≥=50001			0.88	1.936
016	37150-29740	BRACKET HITCH LH	1	←=11975			0.825	1.815
016	35110-29730	BRACKET HITCH LH	1	≥=11976			0.85	1.87
016	35110-29730	BRACKET HITCH LH	1	≥=50001			0.85	1.87
017	01173-51228	BOLT	6				0.036	0.0792
018	04512-50120	WASHER SPRING	6				0	0
019	34150-37710	FILTER OIL	1				0.1	0.22
020	37150-37720	RETAINER	1				0.03	0.066
021	04811-10320	O RING	1				0.001	0.0022
022	34150-37740	SPRING	1				0.003	0.0066
023	01222-50816	BOLT	2				0.01	0.022
024	04512-50080	WASHER SPRING	2				0	0





# GEAR DRIVE SYSTEM 1

↔ Interchangeable; ≠ not interchangeable; ← new for old; → old for new

REF.No	Part No.	Description	Q'ty	S.No.	I/C	REMARKS	Weight (kgf)	Weight (lb)
001	37150-21510	SHAFT MAIN	1				2.1	4.62
002	34150-21560	WASHER	1				0.01	0.022
003	09502-55210	SEAL OIL	1				0.025	0.055
004	37150-21520	GEAR SPUR 17	1				0.225	0.495
005	35110-21530	GEAR SPUR 23	1				0.355	0.781
006	08151-06305	BEARING BALL (6305NR	1				0.233	0.5126
007	37150-21550	CIR-CLIP EXTERNAL	1				0.06	0.132
008	04612-00300	CIR-CLIP EXTERNAL	1				0.003	0.0066
009	08241-03206	BEARING BALL	1				0.302	0.6644
010	37150-21790	CIR-CLIP	1				0.001	0.0022
011	37150-21580	COLLAR	1				0.02	0.044
012	37150-21590	COLLAR	1				0.025	0.055
013	99999-99999	BLANK	0			ORDER BY REF.No.029	0	0
014	08101-06306	BEARING BALL (6306)	2				0.335	0.737
015	04612-00300	CIR-CLIP EXTERNAL	1				0.003	0.0066
016	37150-21950	GEAR SPUR 29-48	1				1.275	2.805
017	08101-06305	BEARING BALL (6305)	2				0.23	0.506
018	31220-22340	NUT	1				0.033	0.0726
019	37150-22150	CASE BEARING	1				0.55	1.21
020	37150-21770	COLLAR	1				0.12	0.264
021	34150-22610	SHIM 0.5	2				0.01	0.022
022	34150-22620	SHIM 0.2	4				0.005	0.011
023	34150-22630	SHIM 0.1	2				0.005	0.011
024	34150-22170	COVER BEARING	1				0.16	0.352
025	01173-51035	BOLT	4				0.025	0.055
026	01153-50816	BOLT	2				0.01	0.022
027	04512-50100	WASHER SPRING	4				0	0
028	04512-50080	WASHER SPRING	2				0	0
029	35110-22100	ASSY SPIRAL BEVEL	1				5.3	11.66
029	35110-22110	ASSY SPIRAL BEVEL	1				1.325	2.915

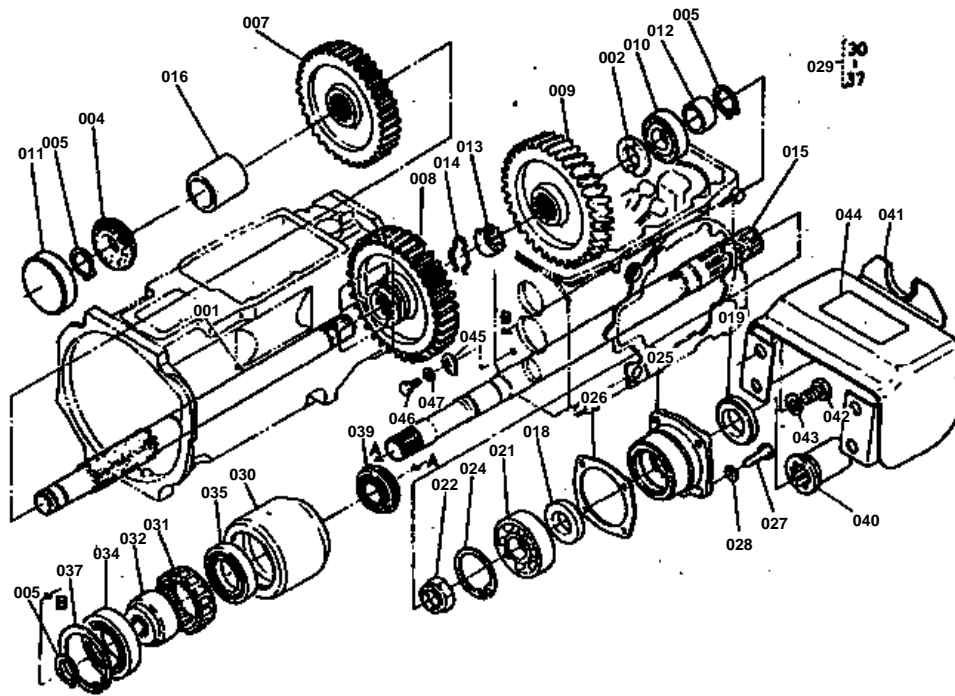





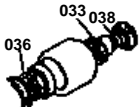


# GEAR DRIVE SYSTEM 2

↔ Interchangeable; ≠ not interchangeable; ← new for old; → old for new

REF.No	Part No.	Description	Q'ty	S.No.	I/C	REMARKS	Weight (kgf)	Weight (lb)
001	35110-21610	COUNTERSHAFT	1				1.645	3.619
002	37150-21760	COLLAR THRUST	2				0.017	0.0374
003	37150-21790	CIR-CLIP	2				0.001	0.0022
004	08151-06205	BEARING BALL (6205NR	1				0.131	0.2882
005	04612-00250	CIR-CRIP EXTERNAL	2	≤11975			0.002	0.0044
005	37150-21550	CIR-CRIP EXTERNAL	2	≥11976			0.06	0.132
005	37150-21550	CIR-CRIP EXTERNAL	2	≥50001			0.06	0.132
006	35110-21710	GEAR SPUR 32	1				0.465	1.023
007	37150-21720	GEAR SPUR 41	1				0.77	1.694
008	37150-21730	GEAR SPUR 45	1				0.945	2.079
009	37150-21740	GEAR SPUR 45	1				1.08	2.376
010	08101-06205	BEARING BALL (6205)	1				0.14	0.308
011	34150-21650	COVER BEARING	1				0.07	0.154
012	37150-21770	COLLAR	1				0.12	0.264
013	37150-21750	BOSS SPLINE	2				0.088	0.1936
014	37150-21780	CIR-CLIP	2	≤51281			0	0
014	35340-21782	CIR-CLIP	2	≥51282			0.007	0.0154
015	37150-21910	SHAFT 12 GEAR	1				0.715	1.573
016	37300-25340	COUPLING	1	≤11975			0.35	0.77
016	35110-21680	COUPLING	1	≥11976			0.343	0.7546
016	35110-21680	COUPLING	1	≥50001			0.343	0.7546
017	05411-00536	PIN SPRING	2	≤11975			0.003	0.0066
018	04612-00250	CIR-CRIP EXTERNAL	2	≤11975			0.002	0.0044
018	04612-00250	CIR-CRIP EXTERNAL	3	≥11976			0.002	0.0044
018	37150-21550	CIR-CRIP EXTERNAL	3	≥50001			0.06	0.132
019	04612-00300	CIR-CRIP EXTERNAL	1				0.003	0.0066
020	37150-21920	GEAR SPUR 31	1				0.455	1.001
021	08101-06305	BEARING BALL (6305)	1				0.23	0.506
022	37150-21940	COLLAR	1				0.05	0.11
023	08151-06305	BEARING BALL (6305NR	1				0.233	0.5126
024	34150-21940	RETAINER BEARING	1				0	0
025	01153-50820	BOLT	1				0.012	0.0264
026	04512-50080	WASHER SPRING	1				0	0
027	37150-23110	SHAFT REVERSE	1				0.455	1.001
028	37150-23120	SCREW SET	1				0.02	0.044
029	04717-00800	WASHER SEAL	1				0.001	0.0022
030	99999-99999	BLANK	0			ORDER BY REF.No.032	0	0
031	31220-26360	BUSH	2				0.015	0.033
032	37150-23100	ASSY GEAR SPUR 22	1			REF.NO.30 31	0.885	1.947
033	35340-21792	WIRE	2				0.001	0.0022



REF. No. 35110-2180-0 Changed the material
REF. No. 37150-2150-0 Both surfaces to be grinded
REF. No. 35110-2533-0 
REF. No. 35110-2101-0 
REF. No. 37130-2170-0 
REF. No. 35110-2167-0 35110-2160-0 35110-2531-0 
Discontinua.



↔ Interchangeable; ≠ not interchangeable; ← new for old; → old for new

REF.No	Part No.	Description	Q'ty	S.No.	I/C	REMARKS	Weight (kgf)	Weight (lb)
001	35110-21610	COUNTERSHAFT	1	≤13205			1.645	3.619
001	35110-21610	COUNTERSHAFT	1	≥50001			1.645	3.619
001	35110-25320	COUNTERSHAFT PTO	1	≥51001			1.65	3.63
002	37150-21760	COLLOR THRUST	1				0.017	0.0374
003	37150-21790	CIR-CRIP	1	≤13205			0.001	0.0022
003	37150-21790	CIR-CRIP	1	≤51000			0.001	0.0022
004	08151-06205	BEARING BALL (6205NR)	1				0.131	0.2882
005	04612-00250	CIR-CRIP EXTERNAL	3	≤11975			0.002	0.0044
005	37150-21550	CIR-CRIP EXTERNAL	3	≥11976			0.06	0.132
005	37150-21550	CIR-CRIP EXTERNAL	3	≥50001			0.06	0.132
006	99999-99999	BLANK	0				0	0
007	37150-21720	GEAR SPUR 41	1				0.77	1.694
008	37150-21730	GEAR SPUR 45	1				0.945	2.079
009	37150-21740	GEAR SPUR 45	1				1.08	2.376
010	08101-06205	BEARING BALL (6205)	1				0.14	0.308
011	34150-21650	COVER BEARING	1				0.07	0.154
012	37150-21770	COLLAR	1				0.12	0.264
013	37150-21750	BOSS SPLINE	1				0.088	0.1936
014	37150-21780	CIR-CLIP	1				0	0
015	37150-25310	SHAFT PTO	1				2.7	5.94
016	35110-21750	COLLAR	1				0.089	0.1958
017	99999-99999	BLANK	0				0	0
018	37150-25360	SEAL OIL	1				0.025	0.055
019	37150-25370	SLIDINGER	1				0.007	0.0154
020	99999-99999	BLANK	0				0	0
021	08101-06206	BEARING BALL (6206)	1				0.196	0.4312
022	34150-25320	NUT	1				0.03	0.066
023	99999-99999	BLANK	0				0	0
024	04611-00620	CIR-CLIP INTERNAL	1				0.011	0.0242
025	37150-25410	CASE BEARING	1				1.02	2.244
026	37150-25420	GASKET	1				0	0
027	01153-50822	BOLT	4				0.011	0.0242
028	04512-50080	WASHER SPRING	4				0	0
029	35110-21800	ASSY CLUTCH	1				3	6.6
030	35110-21830	CASE CLUTCH	1	≤53512			1.75	3.85
030	35110-21834	CASE CLUTCH	1	≥53513			1.94	4.268
031	35110-21850	CLUTCH	1				0.185	0.407
032	35110-21860	COUPLING 1	1	≤53512			0.559	1.2298
032	35110-21865	COUPLING 1	1	≥53513			0.53	1.166
033	35110-21870	COUPLING 2	1	≤53512			0.38	0.836
034	08101-06009	BEARING BALL (6009)	1				0.22	0.484
035	35110-21880	BEARING	1	≤53512			0.135	0.297
035	08101-06008	BEARING	1	≥53513			0.19	0.418
036	35110-21890	WASHER	1	≤53512			0.015	0.033
037	04611-00750	CIR-CLIP INTERNAL	1				0.019	0.0418
038	35110-25380	COLLAR 2	1	≤53512			0.035	0.077
039	08151-06205	BEARING BALL (6205NR)	1				0.131	0.2882
040	31220-25820	CAR	1				0.055	0.121
041	35110-25332	PROTECTUR SHAFT PTO	1	≤10885			0	0
041	35110-25333	PROTECTUR SHAFT PTO	1	≥10886			0	0
041	35110-25333	PROTECTUR SHAFT PTO	1	≥50001			0	0
041	35110-25335	PROTECTUR SHAFT PTO	1	≥50766			0	0
042	01173-51225	BOLT	2	≤10885			0.033	0.0726
042	01173-51225	BOLT	4	≥10886			0.033	0.0726
042	01173-51225	BOLT	4	≥50001			0.033	0.0726
043	04512-50120	WASHER SPRING	2	≤10885			0	0
043	04512-50120	WASHER SPRING	4	≥10886			0	0
043	04512-50120	WASHER SPRING	4	≥50001			0	0
044	34159-21990	LABEL CHUTCH	1	≤13205			0.001	0.0022

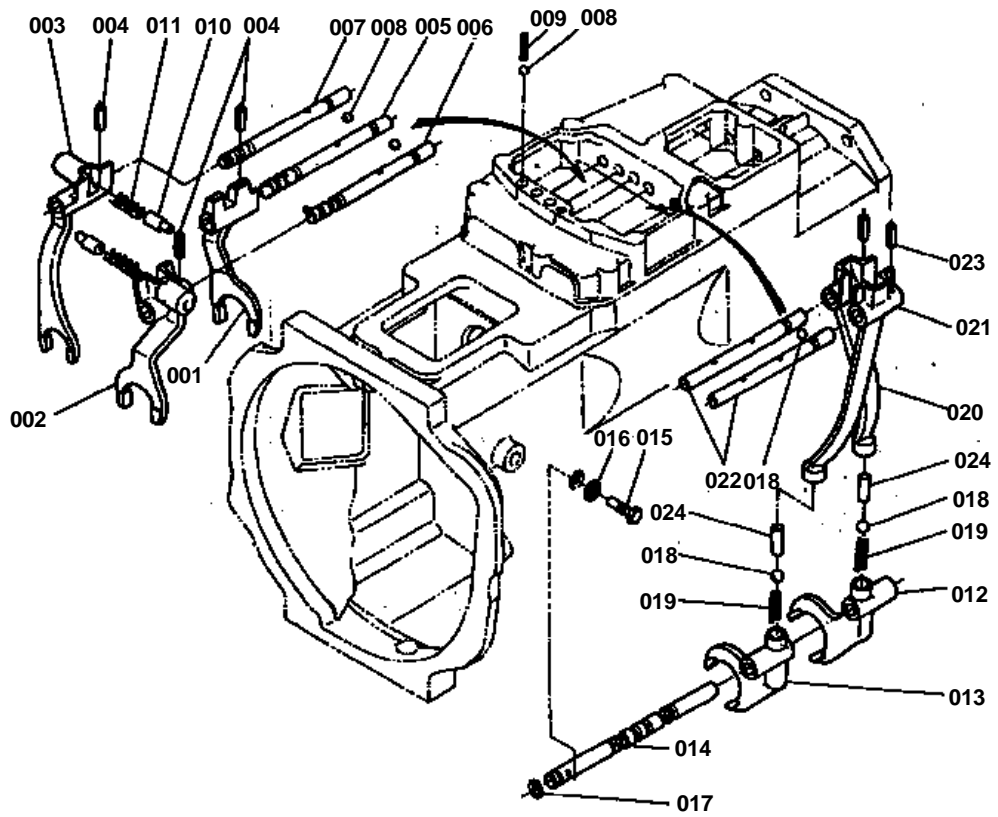


### GEAR DRIVE SYSTEM 3

↔ Interchangeable; ≠ not interchangeable; ← new for old; → old for new

REF.No	Part No.	Description	Q'ty	S.No.	I/C	REMARKS	Weight (kgf)	Weight (lb)
044	35110-21990	LABEL CHUTCH	1	>=50001			0.001	0.0022
045	34150-21940	RETAINER BEARING	1				0	0
046	01153-50820	BOLT	1				0.012	0.0264
047	04512-50080	WASHER SPRING	1				0	0

SPEED CHANGE SYSTEM 1

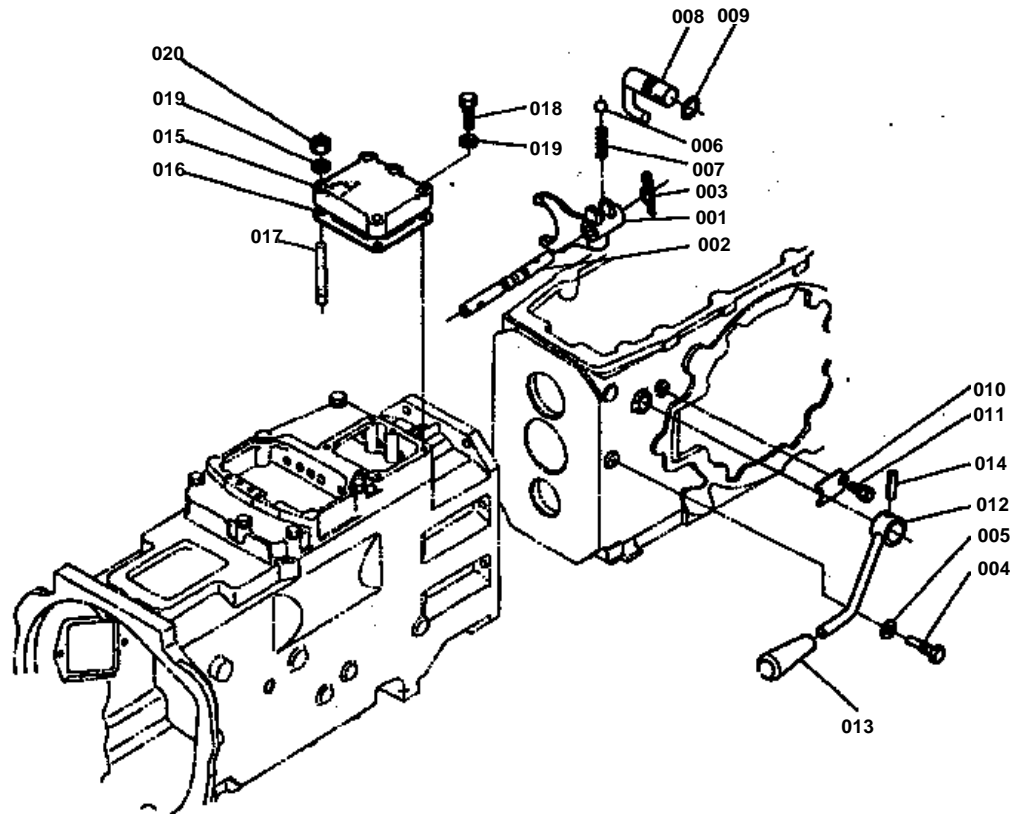




# SPEED CHANGE SYSTEM 1

↔ Interchangeable; ≠ not interchangeable; ← new for old; → old for new

REF.No	Part No.	Description	Q'ty	S.No.	I/C	REMARKS	Weight (kgf)	Weight (lb)
001	37150-23510	FORK SHIFT	1				0	0
001	35305-23510	FORK SHIFT	1				0.19	0.418
002	37150-23520	FORK SHIFT	1				0	0
002	35305-23520	FORK SHIFT	1				0.28	0.616
003	37150-23530	FORK SHIFT	1				0	0
003	35305-23530	FORK SHIFT	1				0.29	0.638
004	05411-00420	PIN SPRING	3				0.001	0.0022
005	37150-23540	ROD FORK	1				0.12	0.264
006	37150-23550	ROD FORK	1				0.12	0.264
007	37150-23570	ROD FORK	1				0.32	0.704
008	07715-01605	BALL	5				0.003	0.0066
009	62231-18530	SPRING STOPPER	3				0.01	0.022
010	34150-23610	PIECE NEUTRAL	2				0.015	0.033
011	34150-23620	SPRING	2				0.003	0.0066
012	37150-24610	FORK SHIFT	1				0.21	0.462
013	37150-24620	FORK SHIFT	1				0.05	0.11
014	37150-24630	SHAFT FORK	1				0.155	0.341
015	34150-24680	SCREW SET	1				0.015	0.033
016	04717-00800	WASHER SEAL	1				0.001	0.0022
017	04811-00090	O RING	1				0.001	0.0022
018	07715-01605	BALL	3				0.003	0.0066
019	62231-18530	SPRING STOPPER	2				0.01	0.022
020	37150-24710	LEVER PTO	1				0	0
021	37150-24720	LEVER PTO	1				0	0
022	37150-24760	ROD FORK	2				0.13	0.286
023	05411-00425	PIN SPRING	2				0.001	0.0022
024	34150-24690	PIN	2				0.02	0.044



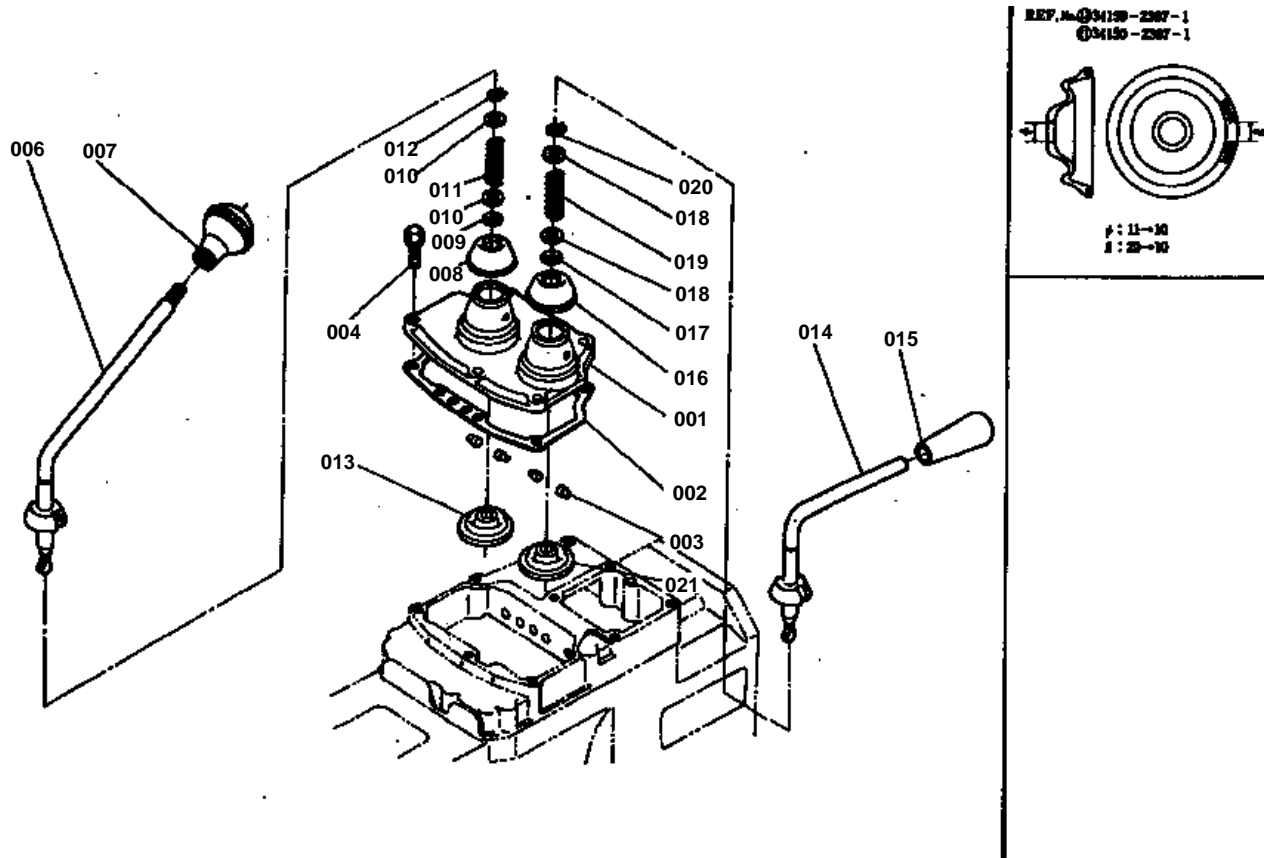


## SPEED CHANGE SYSTEM 2

↔ Interchangeable; ≠ not interchangeable; ← new for old; → old for new

REF.No	Part No.	Description	Q'ty	S.No.	I/C	REMARKS	Weight (kgf)	Weight (lb)
001	37150-24110	FORK SHIFT	1				0.182	0.4004
002	37150-24130	SHAFT FORK	1				0.11	0.242
003	05515-51200	PIN SNAP	1				0	0
004	37150-23120	SCREW SET	1				0.02	0.044
005	04717-00800	WASHER SEAL	1				0.001	0.0022
006	07715-01605	BALL	1				0.003	0.0066
007	62231-18530	SPRING STOPPER	1				0.01	0.022
008	37150-24310	LEVER SHIFT	1				0.145	0.319
009	04811-00150	O RING	1				0.001	0.0022
010	34150-24350	STOPPER LEVER	1				0.015	0.033
011	01120-50816	BOLT	1				0	0
012	35110-24430	LEVER AUX SPEED CHAN	1				0.15	0.33
013	37150-24560	GRIP LEVER	1				0.018	0.0396
014	05411-00632	PIN SPRING	1				0.004	0.0088
015	35110-24830	COVER	1				0.536	1.1792
016	34650-59330	GASKET	1				0	0
017	01513-50828	STUD	3				0.013	0.0286
018	01153-50870	BOLT	2				0.026	0.0572
019	04512-50080	WASHER SPRING	5				0	0
020	02114-50080	NUT	3				0.005	0.011

# CHANGE LAVER

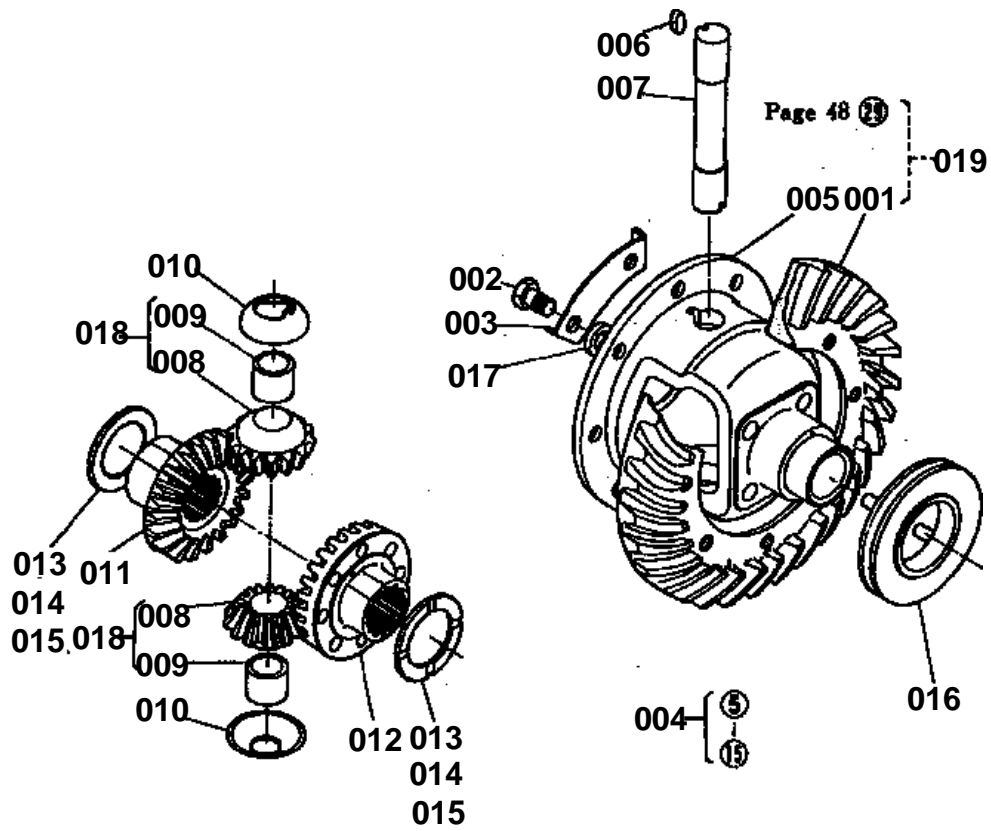


**CHANGE LAVER**

↔ Interchangeable; ≠ not interchangeable; ← new for old; → old for new

REF.No	Part No.	Description	Q'ty	S.No.	I/C	REMARKS	Weight (kgf)	Weight (lb)
001	37150-23710	BASE SPEED CHANGE	1				0.49	1.078
002	34150-23720	GASKET	1				0	0
003	34150-23740	PIN SET	4				0.002	0.0044
004	01120-50832	BOLT	5				0.016	0.0352
005	99999-99999	BLANK	0				0	0
006	37150-23813	LEVER MAIN SPEED CHA	1				0	0
006	34150-23810	LEVER MAIN SPEED CHA	1	>=50001			0.43	0.946
007	32150-23860	GRIP LEVER	1				0.037	0.0814
008	34150-23940	OIL SHIELD	1				0.025	0.055
009	04811-00120	O RING	1				0.001	0.0022
010	32240-23950	WASHER	2				0.002	0.0044
011	32240-23920	SPRING	1				0.007	0.0154
012	31220-23930	CIR-CLIP EXTERNAL	1				0.001	0.0022
013	34150-23870	SHIELD	1	<=51281			0	0
013	34150-23872	SHIELD	1	>=51282			0	0
014	37150-24850	LEVER PTO SPEED CHAN	1				0	0
015	34150-24920	GRIP LEVER	1				0	0
015	06914-00130	GRIP LEVER	1	>=50001			0.016	0.0352
016	34150-23940	OIL SHIELD	1	<=51281			0.025	0.055
016	34150-23942	OIL SHIELD	1	>=51282			0	0
017	04811-00120	O RING	1				0.001	0.0022
018	32240-23950	WASHER	2				0.002	0.0044
019	32240-23920	SPRING	1				0.007	0.0154
020	31220-23930	CIR-CLIP EXTERNAL	1				0.001	0.0022
021	34150-23870	SHIELD	1	<=51281			0	0
021	34150-23872	SHIELD	1	>=51282			0	0



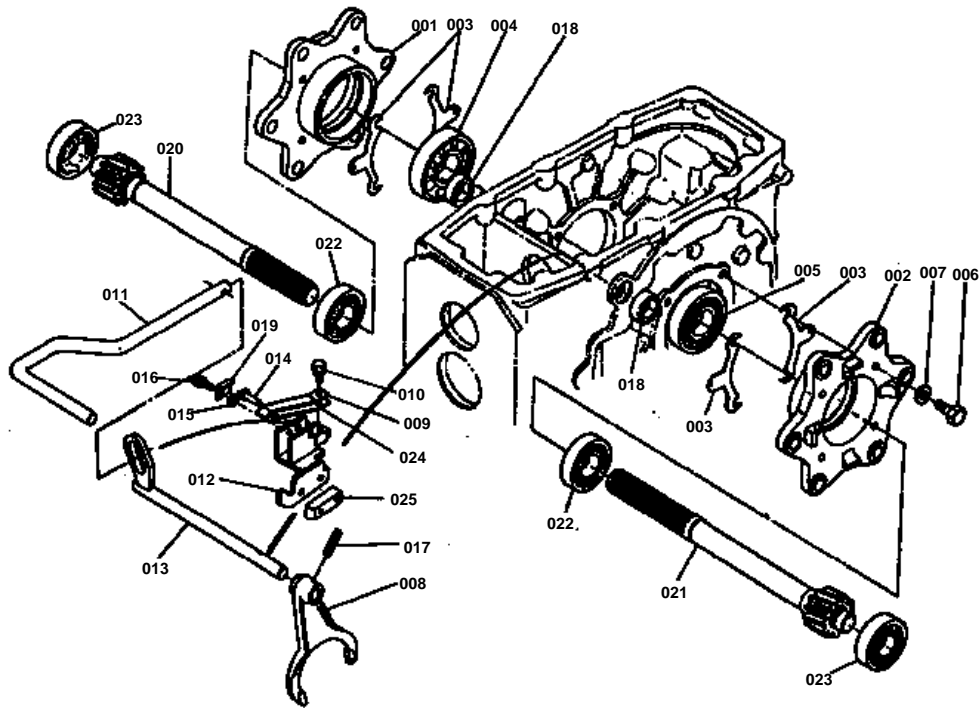


**DIFFERENTIAL SYSTEM 1**

↔ Interchangeable; ≠ not interchangeable; ← new for old; → old for new

REF.No	Part No.	Description	Q'ty	S.No.	I/C	REMARKS	Weight (kgf)	Weight (lb)
001	99999-99999	BLANK	0			ORDER BY REF.No.019	0	0
002	37800-43870	BOLT	8				0.026	0.0572
003	37150-26270	STOPPER	4				0.015	0.033
004	37150-26100	ASSY DIFFERENTIAL	1				4.9	10.78
005	37150-26510	CASE DIFFERENTIAL	1				0	0
006	31220-26280	KEY FEATHER	1				0.005	0.011
007	31220-26340	SHAFT DIFF PINION	1				0.31	0.682
008	99999-99999	BLANK	0			ORDER BY REF.No.018	0	0
009	31220-26360	BUSH	2				0.015	0.033
010	31220-26390	WASHER DIFF PINION	2				0	0
011	34150-26430	GEAR DIFF BEARING RH	1				0	0
011	38440-44980	GEAR DIFF BEARING RH	1	>=50001			0	0
012	34150-26440	GEAR DIFF BEARING LH	1				0	0
012	38180-26440	GEAR DIFF BEARING LH	1	>=50001			0.61	1.342
013	31220-26480	WASHER 1.5T	2				0.015	0.033
014	31220-26490	WASHER 1.6T	2				0.02	0.044
015	37150-26480	WASHER 1.7T	2			L245DT	0.016	0.0352
016	34150-26610	SHIFTER DIFF LOCK	1				0	0
017	34150-26520	WASHER PLAIN	8				0.005	0.011
018	31220-26300	ASSY PINION DIFFEREN	2				0.155	0.341
019	35110-22100	ASSY SPIRAL BEVEL	1				5.3	11.66

DIFFERENTIAL SYSTEM 2



REF. No. 01 3519-2205-0  
 01 37720-2227-0  
 01 37120-2228-0  
 01 04012-22280  
 01 05511-22212

011  
012  
013  
014  
015

---

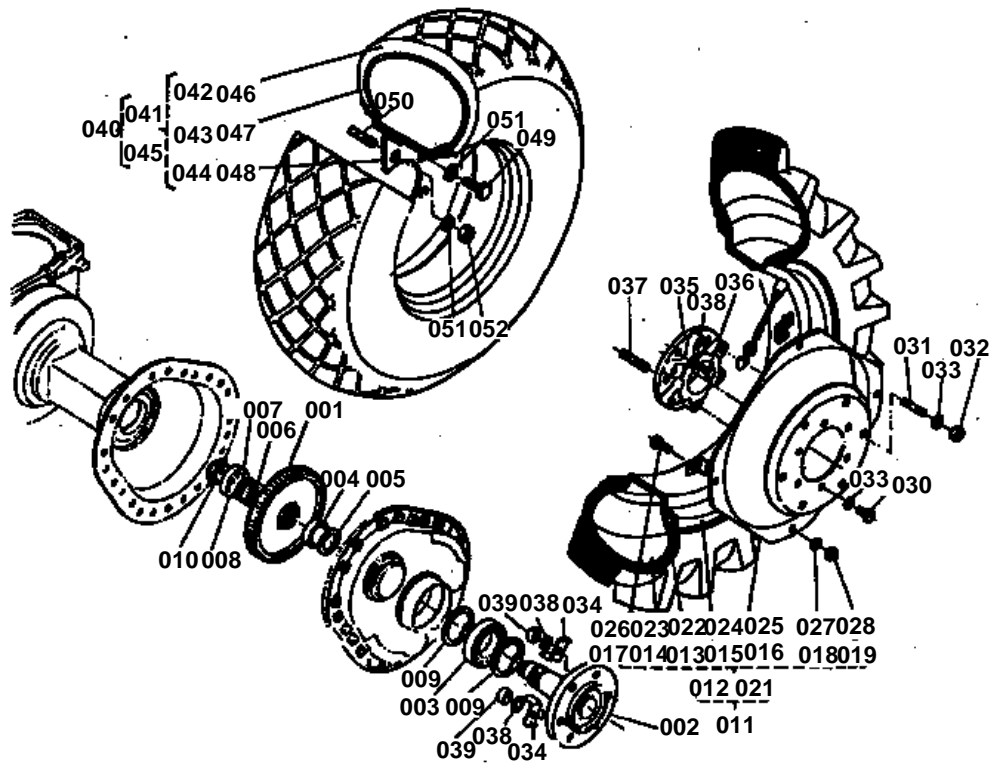
REF. No. 01 37720-2271-0  
 01 37720-2272-0  
 01 08121-08205  
 01 08121-08205

020  
021  
022  
023

↔ Interchangeable; ≠ not interchangeable; ← new for old; → old for new

REF.No	Part No.	Description	Q'ty	S.No.	I/C	REMARKS	Weight (kgf)	Weight (lb)
001	37150-26550	CASE DIFF BEARING RH	1				0	0
002	37150-26560	CASE DIFF BEARING LH	1				0	0
003	37150-26160	SHIM	12			0.2T	0.005	0.011
003	37150-26170	SHIM	8			0.1T	0.005	0.011
003	37150-26180	SHIM	4			0.5T	0.01	0.022
004	08101-06210	BEARING BALL (6210)	1				0.45	0.99
005	08101-06208	BEARING BALL (6208)	1				0.355	0.781
006	01173-51030	BOLT	8				0.023	0.0506
007	04512-50100	WASHER SPRING	8				0	0
008	37150-26630	FORK SHIFT	1				0.375	0.825
009	37150-26643	SPRING	1				0.033	0.0726
010	01120-50816	BOLT	1				0	0
011	35110-26650	PEDAL DIFF LOCK	1	≤11975			0.625	1.375
011	37300-26650	PEDAL DIFF LOCK	1	≥11976			0.635	1.397
011	37300-26650	PEDAL DIFF LOCK	1	≥50001			0.635	1.397
012	37720-26670	BRACKET PEDAL	1	≤11975			0.346	0.7612
012	35211-26680	BRACKET PEDAL	1	≥11976			0.567	1.2474
012	35211-26680	BRACKET PEDAL	1	≥50001			0.567	1.2474
012	35210-26670	BRACKET PEDAL	1				0.59	1.298
013	37150-26680	GAM DIFF LOCK	1	≤11975			0.43	0.946
013	35211-26680	GAM DIFF LOCK	1	≥11976			0.567	1.2474
013	35211-26680	GAM DIFF LOCK	1	≥50001			0.567	1.2474
014	05122-50835	PIN JOINT	1				0.015	0.033
015	04012-50080	WASHER PLAIN	1	≤11975			0.001	0.0022
015	04015-50060	WASHER PLAIN	1	≥11976			0	0
015	04015-50060	WASHER PLAIN	1	≥50001			0	0
016	05511-50218	PIN SPLIT	1	≤11975			0.001	0.0022
016	01202-50610	BOLT	1	≥11976			0.004	0.0088
016	01202-50610	BOLT	1	≥50001			0.004	0.0088
017	05411-00630	PIN SPRING	1				0.004	0.0088
018	09500-16287	SEAL OIL	2				0.01	0.022
019	35110-26660	PLATE	1	≤13205			0.004	0.0088
019	35110-26660	PLATE	1	≥50001			0.004	0.0088
020	37720-26710	SHAFT DIFT GEAR RH	1	≤11975			2.1	4.62
020	37230-26710	SHAFT DIFT GEAR RH	1	≥11976			2.04	4.488
020	37230-26710	SHAFT DIFT GEAR RH	1	≥50001			2.04	4.488
021	37720-26720	SHAFT DIFT GEAR LH	1	≤11975			2.3	5.06
021	37230-26720	SHAFT DIFT GEAR LH	1	≥11976			2.3	5.06
021	37230-26720	SHAFT DIFT GEAR LH	1	≥50001			2.3	5.06
022	08101-06206	BEARING BALL (6206)	2	≤11975			0.196	0.4312
022	37230-26730	BEARING BALL (6206)	2	≥11976			0.195	0.429
022	37230-26730	BEARING BALL (6206)	2	≥50001			0.195	0.429
022	37220-91290	BEARING BALL (6206)	2	≥53488		(L245-3)	0.335	0.737
023	08101-06305	BEARING BALL (6305)	2	≤11975			0.23	0.506
023	37230-26740	BEARING BALL (6305)	2	≥11976			0	0
023	37230-26740	BEARING BALL (6305)	2	≥50001			0	0
023	38450-21980	BEARING BALL (6305)	2				0.225	0.495
023	08100-00031	BEARING BALL (6305)	2	≥53488		(L245-3)	0.242	0.5324
023	36340-41290	BEARING BALL (6305)	2				0.235	0.517
024	37150-26660	SPRING	1	≥50001			0.025	0.055
025	35170-26590	SPACER BRACKET PEDAL	1				0.115	0.253

REAR AXLE



REF. No. 04011 - 50160  
04011 - 50160



029  
020

Discontinua.



REAR AXLE

↔ Interchangeable; ≠ not interchangeable; ← new for old; → old for new

REF.No	Part No.	Description	Q'ty	S.No.	I/C	REMARKS	Weight (kgf)	Weight (lb)
001	37220-26830	GEAR SPUR 53	2	≤11975			4.5	9.9
001	37230-26830	GEAR HERICAL 49	2	≥11976			4.44	9.768
001	37230-26830	GEAR HERICAL 49	2	≥50001			4.44	9.768
002	35110-27110	AXLE REAR	2	≤53487			5.9	12.98
002	37220-91362	AXLE REAR	2	≥53488		(L245-3)	6.1	13.42
003	08101-06209	BEARING BALL (6209)	4				0.42	0.924
004	37220-27140	COLLAR	2				0.06	0.132
005	34150-27160	SHIM	2				0.01	0.022
006	37220-27150	COLLAR	2	≤53487			0.03	0.066
006	37220-91340	COLLAR	2	≥53488		(L245-3)	0.16	0.352
007	37150-27160	SHIM	2				0.007	0.0154
008	08101-06207	BEARING BALL (6207)	2	≤51281			0.282	0.6204
008	08100-00029	BEARING BALL (6207)	2	≥51282			0.308	0.6776
008	08101-06307	BEARING BALL (6207)	2	≥53488		(L245-3)	0.44	0.968
009	04611-00850	CIR-CLIP INTERNAL	4				0.029	0.0638
010	70416-51440	NUT	2				0.07	0.154
011	35210-27900	ASSY REAR WHEEL	1			(11.2/10-24)L245F	126	277.2
012	35210-27610	ASSY REAR WHEEL LH	1				65	143
013	32240-27620	TIRE	1				30	66
014	32240-27630	TUBE	1				0	0
015	32240-27650	RIM	1				0	0
016	34220-27660	DISK	1				0	0
017	31220-27680	BOLT	4				0.09	0.198
018	04512-50160	WASHER SPRING	4				0	0
019	02174-50160	NUT	4				0.022	0.0484
020	04011-50160	WASHER PLAIN	4				0	0
021	35210-27690	ASSY REAR WHEEL RH	1				65	143
022	32240-27620	TIRE	1				30	66
023	32240-27630	TUBE	1				0	0
024	32240-27650	RIM	1				0	0
025	34220-27660	DISK	1				0	0
026	31220-27680	BOLT	4				0.09	0.198
027	04512-50160	WASHER SPRING	4				0	0
028	02174-50160	NUT	4				0.022	0.0484
029	04011-50160	WASHER PLAIN	4				0	0
030	01073-51640	BOLT	8				0.092	0.2024
031	35210-27820	STUD	4				0.085	0.187
032	02074-50160	NUT	4				0.029	0.0638
033	04512-50160	WASHER SPRING	12				0	0
034	35110-27750	BLADE	4				0.11	0.242
035	35210-27810	PIECE DISTANCE	2				6.3	13.86
036	01073-51640	BOLT	8				0.092	0.2024
037	35210-27710	STUD	4	≤53487			0.108	0.2376
037	01517-51640	STUD	4	≥53488		(L245-3)	0.09	0.198
038	04512-50160	WASHER SPRING	16	≤53487			0	0
038	04512-50160	WASHER SPRING	12	≥53488		(L245-3)	0	0
039	02074-50160	NUT	8				0.029	0.0638
040	35110-27600	ASSY REAR WHEEL	1			(13.6-16)L245T	110	242
041	35110-27610	ASSY REAR WHEEL LH	1				48.3	106.26
042	99424-27110	TIRE	1				30	66
043	99424-27120	TUBE	1				3.8	8.36
044	34219-27950	WHEEL	1				0	0
045	35110-27690	ASSY REAR WHEEL RH	1				48.3	106.26
046	99424-27110	TIRE	1				30	66
047	99424-27120	TUBE	1				3.8	8.36
048	34219-27950	WHEEL	1				0	0
049	01073-51630	BOLT	8				0.079	0.1738
050	37150-27710	STUD	4	≤53487			0.1	0.22
050	34150-27710	STUD	4	≥53488		(L245-3)	0.062	0.1364

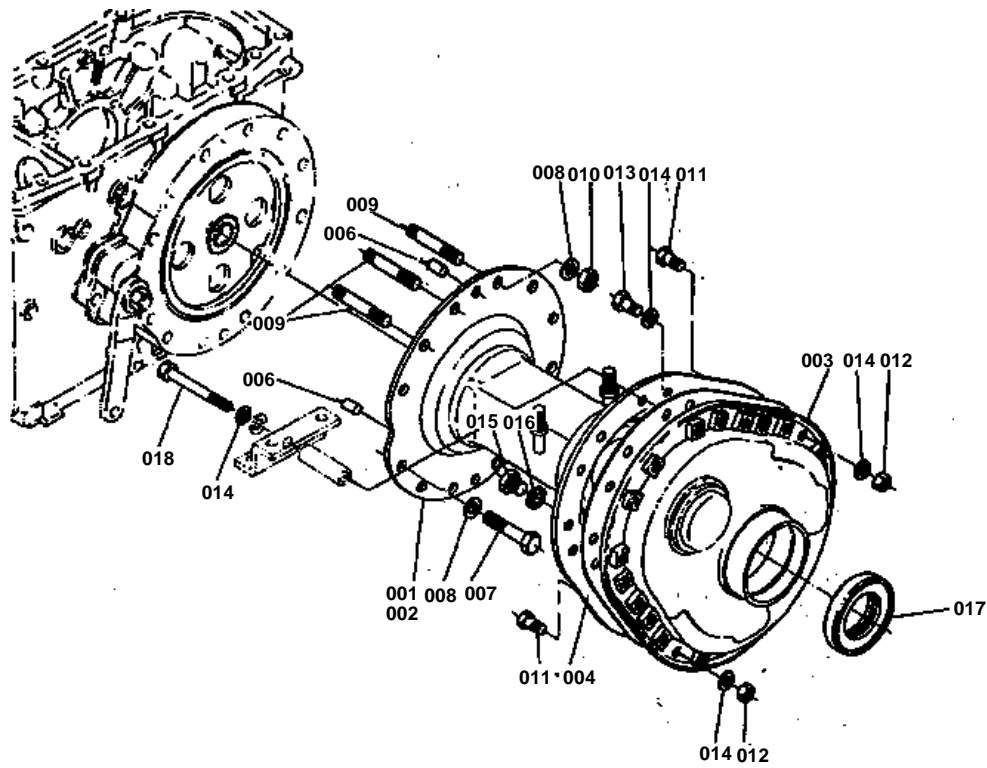


REAR AXLE

↔ Interchangeable; ≠ not interchangeable; ← new for old; → old for new

REF.No	Part No.	Description	Q'ty	S.No.	I/C	REMARKS	Weight (kgf)	Weight (lb)
051	04512-50160	WASHER SPRING	16	<=53487			0	0
051	04512-50160	WASHER SPRING	12	>=53488		(L245-3)	0	0
052	02074-50160	NUT	8	<=53487			0.029	0.0638
052	02074-50160	NUT	4	>=53488		(L245-3)	0.029	0.0638

AXLE CASE

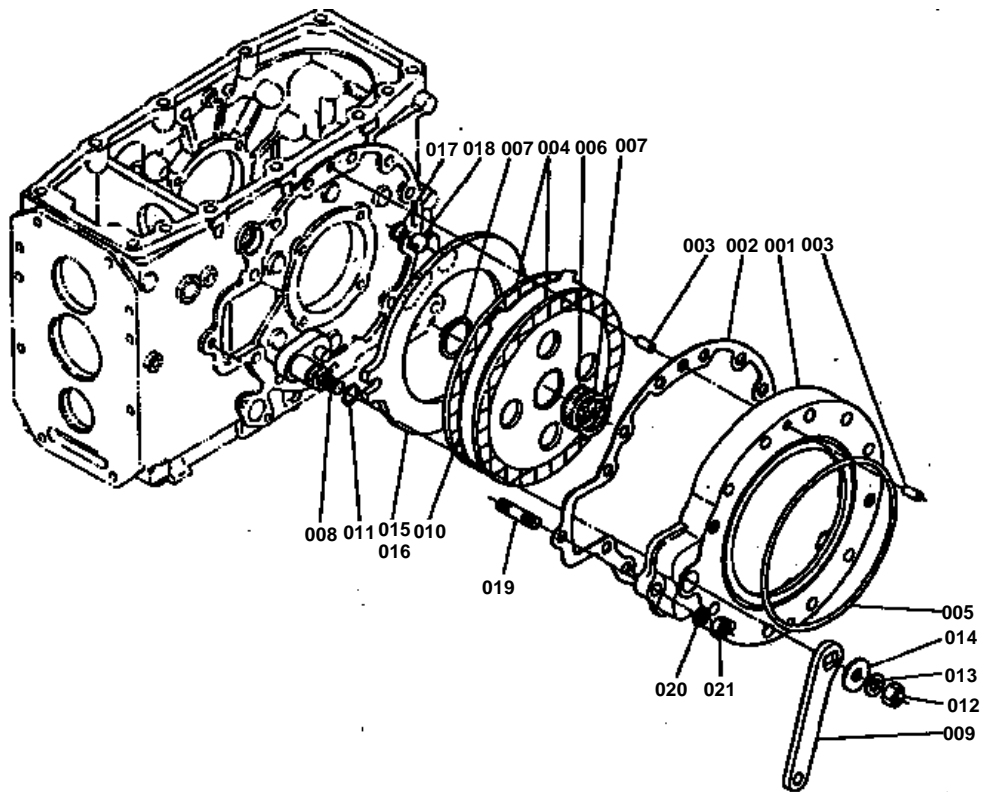




**AXLE CASE**

↔ Interchangeable; ≠ not interchangeable; ← new for old; → old for new

REF.No	Part No.	Description	Q'ty	S.No.	I/C	REMARKS	Weight (kgf)	Weight (lb)
001	37150-27310	CASE AXLE RH	1	<=53487			11.8	25.96
001	37220-91382	CASE AXLE RH	1	>=53488		(L245-3)	11.5	25.3
002	37150-27322	CASE AXLE LH	1	<=53487			11	24.2
002	37220-91392	CASE AXLE LH	1	>=53488		(L245-3)	12.2	26.84
003	37150-27330	COVER AXLE CASE	2	<=53487			5	11
003	37220-91372	COVER AXLE CASE	2	>=53488		(L245-3)	6.5	14.3
004	37150-27340	GASKET	2				0	0
005	99999-99999	BLANK	0				0	0
006	37150-27370	PIN STRAIGHT	4				0.009	0.0198
007	01173-51270	BOLT	14				0.067	0.1474
008	04512-50120	WASHER SPRING	24				0	0
009	37720-27350	STUD	10				0.067	0.1474
010	02176-50120	NUT	10				0.01	0.022
011	37150-27390	BOLT REAMER	4				0.02	0.044
012	02118-50100	NUT	4				0.005	0.011
013	01176-51022	BOLT	40				0.019	0.0418
014	04512-50100	WASHER SPRING	46				0	0
015	06331-35016	PLUG	4	<=13205			0.04	0.088
015	06331-35016	PLUG	4	<=50498			0.04	0.088
015	06331-35016	PLUG	2				0.04	0.088
015	06331-35016	PLUG	2				0.04	0.088
016	04717-01600	WASHER SEAL	4	>=50499			0.003	0.0066
016	04717-01600	WASHER SEAL	2				0.003	0.0066
017	37150-27560	SEAL OIL	2				0.14	0.308
018	01173-51080	BOLT	2				0.049	0.1078

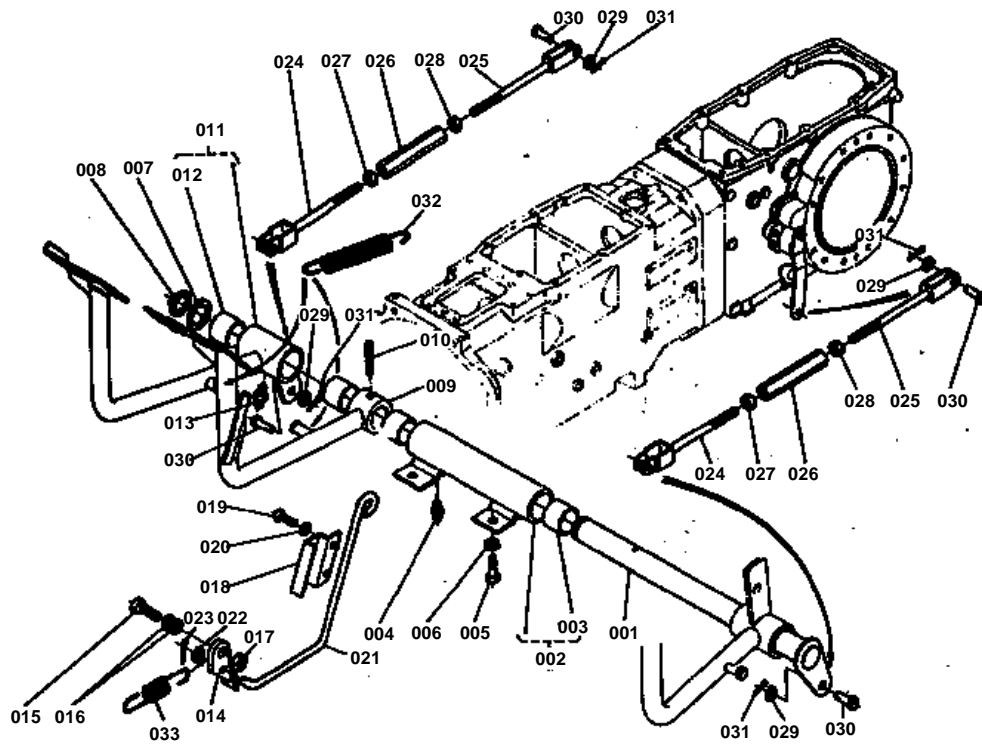


**BRAKE**

↔ Interchangeable; ≠ not interchangeable; ← new for old; → old for new

REF.No	Part No.	Description	Q'ty	S.No.	I/C	REMARKS	Weight (kgf)	Weight (lb)
001	37720-28150	CASE BRAKE	2				6	13.2
002	37150-28160	GASKET	2				0	0
003	37150-27370	PIN STRAIGHT	4				0.009	0.0198
004	37150-28200	DISK BRAKE	4				0.774	1.7028
005	37150-28180	O RING	2				0.01	0.022
006	37720-28190	BOSS SPLINE	2				0.116	0.2552
007	04612-00450	CIR-CLIP EXTERNAL	4				0.007	0.0154
008	37720-28215	CAM BRAKE	2				0	0
009	37720-28220	LEVER BRAKE CAM	2				0.28	0.616
010	37720-28170	PLATE	2				0.422	0.9284
011	04811-00180	O RING	2				0.001	0.0022
012	02174-50120	NUT	2				0.01	0.022
013	04512-50120	WASHER SPRING	2				0	0
014	04015-50120	WASHER PLAIN	2				0	0
014	04013-50120	WASHER PLAIN	2	>=50001			0	0
015	37150-28240	PLATE CAM LH	1				1.13	2.486
016	37150-28270	PLATE CAM RH	1				1.08	2.376
017	37150-28250	SEAT BALL	12				0.003	0.0066
018	07715-00805	BALL	12				0.016	0.0352
019	01574-51245	STUD	2				0.051	0.1122
020	04512-50120	WASHER SPRING	2				0	0
021	02176-50120	NUT	2				0.01	0.022

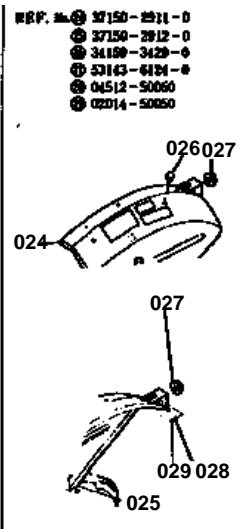
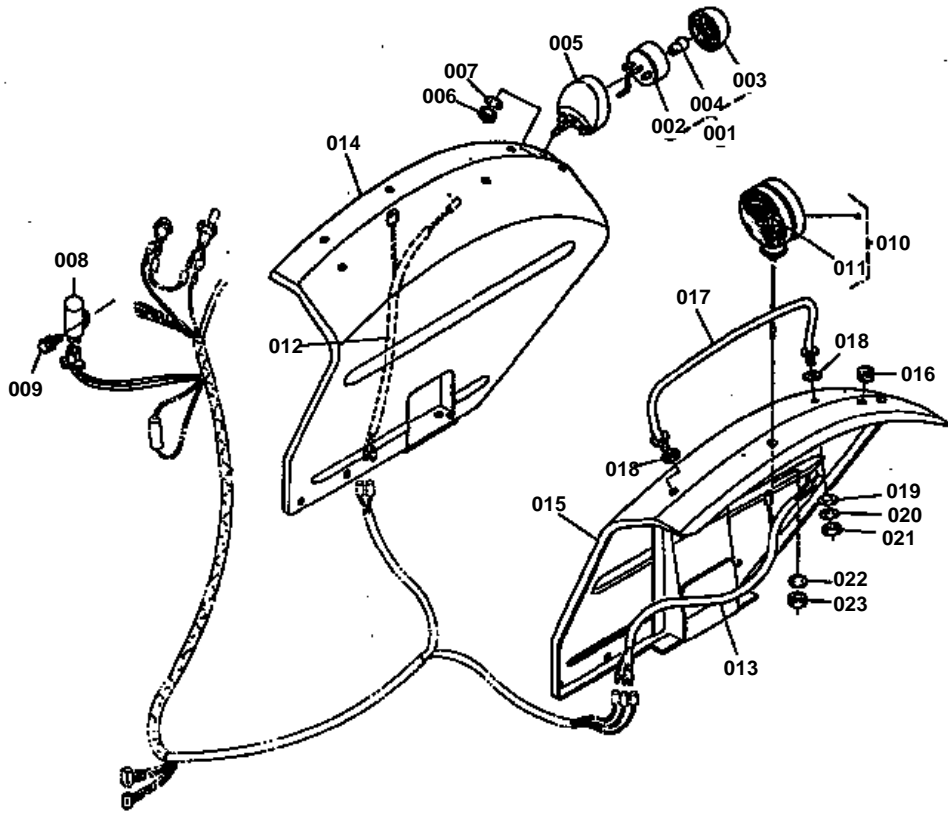
# BRAKE PEDAL



**BRAKE PEDAL**

↔ Interchangeable; ≠ not interchangeable; ← new for old; → old for new

REF.No	Part No.	Description	Q'ty	S.No.	I/C	REMARKS	Weight (kgf)	Weight (lb)
001	37150-28410	SHAFT BRAKE PEDAL	1				1.43	3.146
002	37150-28420	SUPPORT PEDAL SHAFT	1				0.95	2.09
003	34150-28430	BUSH	2				0.04	0.088
004	06613-10675	NIPPLE GREASE	1				0.003	0.0066
005	01173-51018	BOLT	4				0.018	0.0396
006	04512-50100	WASHER SPRING	4				0	0
007	32150-28460	COLLAR	1				0.007	0.0154
008	04612-00250	CIR-CLIP EXTERNAL	1				0.002	0.0044
009	35110-28610	PEDAL BRAKE LH	1				1.348	2.9656
010	05411-00840	PIN SPRING	1				0.008	0.0176
011	35110-28620	PEDAL BRAKE RH	1				1.34	2.948
012	34150-28430	BUSH	2				0.04	0.088
013	06613-10675	NIPPLE GREASE	1				0.003	0.0066
014	34150-28810	RATCHET	1				0.045	0.099
015	34150-28820	BOLT	1				0.04	0.088
016	04011-50120	WASHER PLAIN	2				0.005	0.011
017	02174-50120	NUT	1				0.01	0.022
018	34150-28880	GUIDE RATCHET	1				0.04	0.088
019	01150-50812	BOLT	2				0.009	0.0198
020	04512-50080	WASHER SPRING	2				0	0
021	34150-28870	ROD RATCHET	1				0.09	0.198
022	04012-50060	WASHER PLAIN	1				0.001	0.0022
023	05511-50212	PIN SPLIT	1				0.001	0.0022
024	35110-28930	ROD BRAKE 1	2				0.165	0.363
025	37720-28940	ROD BRAKE 2	2				0.2	0.44
026	37720-28980	TURNBUCKLE	2				0.099	0.2178
027	37720-28990	NUT	2				0.008	0.0176
028	02172-50120	NUT	2				0.01	0.022
029	04012-50080	WASHER PLAIN	4				0.001	0.0022
030	05112-50822	PIN JOINT	4				0.01	0.022
031	05511-50215	PIN SPLIT	4				0.001	0.0022
032	37150-15840	SPRING	2				0.06	0.132
033	37150-28850	SPRING	1				0.005	0.011

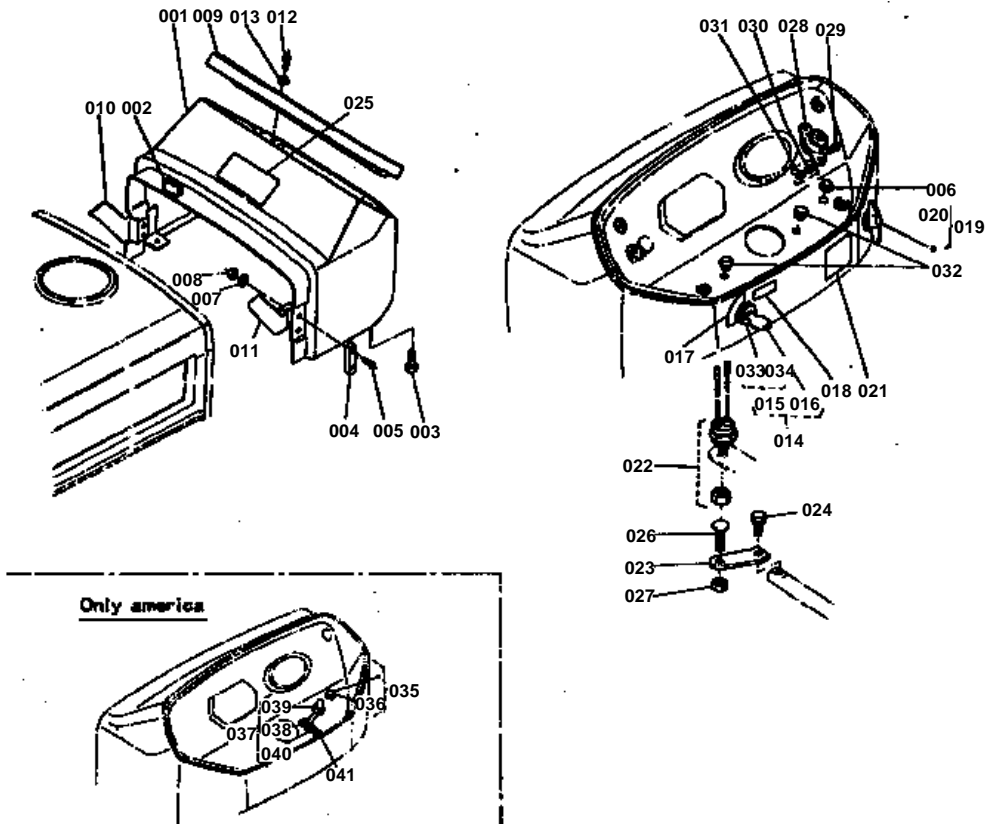




FENDER [U.S.A]

↔ Interchangeable; ≠ not interchangeable; ← new for old; → old for new

REF.No	Part No.	Description	Q'ty	S.No.	I/C	REMARKS	Weight (kgf)	Weight (lb)
001	34350-34100	ASSY LAMP TAIL	2				0.13	0.286
002	99999-99999	BLANK	0			ORDER BY REF.No.001	0	0
003	34350-34120	LENS TAIL LAMP	2				0.05	0.11
004	34350-34140	BULB TAIL LAMP	2				0.008	0.0176
005	34350-34190	HOLDER TAIL LAMP	2				0.107	0.2354
006	02014-50060	NUT	4				0.003	0.0066
007	04512-50060	WASHER SPRING	4				0	0
008	35170-33700	FLASHER UNIT	1	>=53788			0.06	0.132
009	01202-50616	BOLT	1				0.006	0.0132
010	35450-75010	ASSY LAMP HAZARD FLA	2				0.3	0.66
011	35450-75022	VALVE HAZARD FLASHER	2				0.008	0.0176
012	35170-34360	CABLE 6	1				0.025	0.055
013	35170-34370	CABLE 7	1				0.035	0.077
014	35112-29110	ASSY FENDER RH	1				7.5	16.5
015	35112-29120	ASSY FENDER LH	1				7	15.4
016	33251-83910	CUSHION	1				0.001	0.0022
017	34150-29170	BALUSTRAD	2				0.695	1.529
018	32260-29180	CUSHION	4				0.005	0.011
019	04013-50140	WASHER PLAIN	4				0	0
020	04512-50140	WASHER SPRING	4				0	0
021	02174-50140	NUT	4				0.014	0.0308
022	04512-50100	WASHER SPRING	1				0	0
023	02114-50100	NUT	1				0.005	0.011
024	37150-29110	ASSY FENDER RH	1	<=53786			6.9	15.18
025	37150-29120	ASSY FENDER LH	1	<=53786			7	15.4
026	34159-34290	PLUG	4	<=53786			0.004	0.0088
027	53143-61240	ASSY REFLECTOR	2	<=53786			0.009	0.0198
028	04512-50050	WASHER SPRING	2	<=53786			0	0
029	02014-50050	NUT	2	<=53786			0.002	0.0044



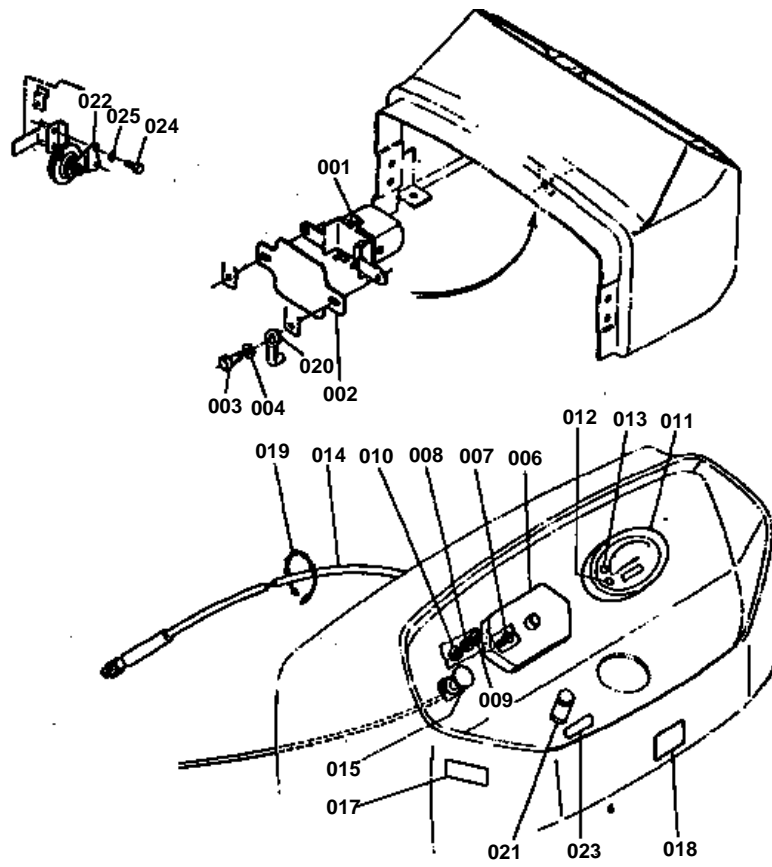




## ELECTICAL 1

↔ Interchangeable; ≠ not interchangeable; ← new for old; → old for new

REF.No	Part No.	Description	Q'ty	S.No.	I/C	REMARKS	Weight (kgf)	Weight (lb)
001	37150-31110	PANEL	1	≤11975			0	0
001	35110-31110	PANEL	1	≥11976			2.4	5.28
001	35110-31110	PANEL	1	≥50001			2.4	5.28
002	33251-83490	CUSHION	3				0.008	0.0176
003	01120-50816	BOLT	4				0	0
004	37150-18180	CUSHION	2				0.015	0.033
005	03054-50514	SCREW PAN HEAD	4				0.004	0.0088
006	34159-32610	CAP	1				0	0
007	04512-50050	WASHER SPRING	4				0	0
008	02054-50050	NUT	4				0.002	0.0044
009	37150-31120	BOARD PANEL	1				0.562	1.2364
010	37150-31180	GUIDE RH	1				0.07	0.154
011	37150-31190	GUIDE LH	1				0.065	0.143
012	34150-31140	SCREW BINDING HEAD	4				0.009	0.0198
013	04013-50080	WASHER PLAIN	4				0	0
014	37150-31800	ASSY SWITCH MAIN	1				0.2	0.44
015	37150-31820	SWITCH MAIN	1				0.19	0.418
016	37150-31810	ASSY KEY MAIN SWITH	1				0.02	0.044
017	34150-31830	LABEL MAIN SWITCH 1	1				0.001	0.0022
018	34159-31840	LABEL MAIN SWITCH 2	1				0.001	0.0022
019	37150-32200	SWITCH STARTER	1				0.275	0.605
020	37150-32210	ASSY KNOB	1				0.02	0.044
021	35110-32290	LABEL STARTER SWITCH	1				0.001	0.0022
022	37150-32240	SWITCH SAFETY STARTE	1				0.12	0.264
023	37150-34560	LEVER SWITCH	1				0.042	0.0924
024	01120-50820	BOLT	1				0	0
025	34150-35250	LABEL OIL FILTER	1	≤11975			0.001	0.0022
025	35110-35250	LABEL OIL FILTER	1	≥11976			0.005	0.011
025	35110-35250	LABEL OIL FILTER	1	≥50001			0.005	0.011
026	01952-50830	BOLT WELD	1				0.014	0.0308
027	02112-50080	NUT	1				0.003	0.0066
028	15231-65950	INDICATER GLOW PLUG	1				0.045	0.099
029	03054-50510	SCREW PAN HEAD	2				0.003	0.0066
030	04512-50050	WASHER SPRING	2				0	0
031	02054-50050	NUT	2				0.002	0.0044
032	35110-32420	PLUG	2				0.002	0.0044
033	37150-31910	NUT RING	1				0.3	0.66
034	37150-31920	GASKET	1				0.001	0.0022
035	66711-55290	ASSY LAMP	1	≥53488		ONLY AMERICA	0.016	0.0352
036	34150-34590	BULB	1	≥53488		ONLY AMERICA	0.001	0.0022
037	54721-41300	ASSY SWITCH	1	≥53488		ONLY AMERICA	0.03	0.066
038	54721-41310	BODY SWITCH	1	≥53488		ONLY AMERICA	0	0
039	54721-22330	CAP	1	≥53488		ONLY AMERICA	0.002	0.0044
040	54721-22340	LABEL	1	≥53488		ONLY AMERICA	0.001	0.0022
041	35320-31840	LABEL	1	≥53488		ONLY AMERICA	0.005	0.011

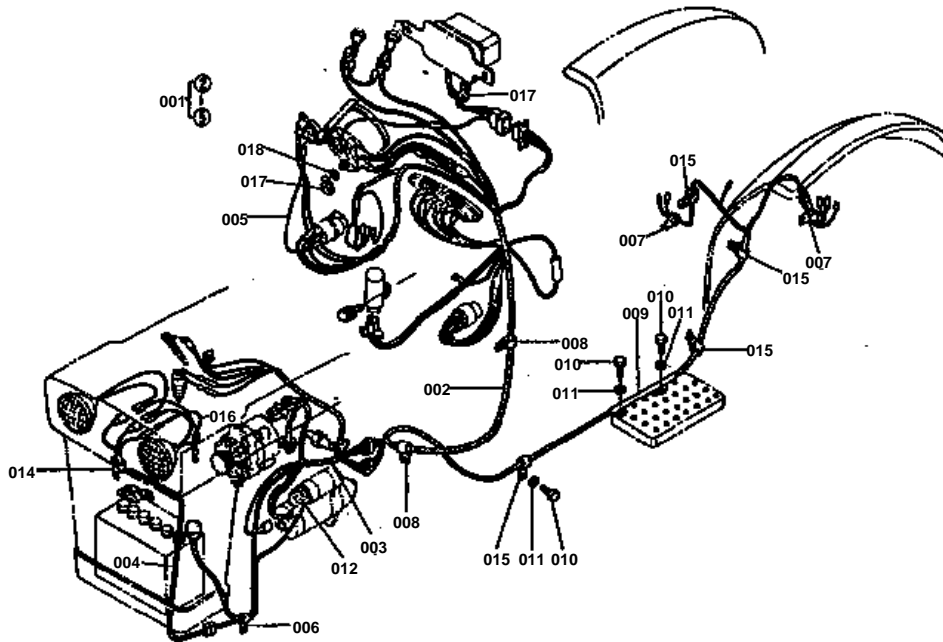




## ELECTICAL 2

↔ Interchangeable; ≠ not interchangeable; ← new for old; → old for new

REF.No	Part No.	Description	Q'ty	S.No.	I/C	REMARKS	Weight (kgf)	Weight (lb)
001	33251-74010	ASSY REGULATOR	1				0.35	0.77
002	37150-33420	COVER REGULATOR	1				0.03	0.066
003	01020-50618	BOLT	2				0.006	0.0132
004	04012-50060	WASHER PLAIN	2	≤53487			0.001	0.0022
004	04013-50060	WASHER PLAIN	2	≥53488		(L245-3)	0	0
005	99999-99999	BLANK	0				0	0
006	37150-33600	CASE FUSE	1				0.115	0.253
007	03024-50516	SCREW WITH WASHER	2				0.004	0.0088
008	04512-50050	WASHER SPRING	2				0	0
009	04012-50050	WASHER PLAIN	2				0.001	0.0022
010	02054-50050	NUT	2				0.002	0.0044
011	37150-34600	METER TRACTOR	1				0.35	0.77
012	32150-31740	BULB LAMP	2				0.003	0.0066
013	34150-34620	BULB LAMP	1				0.001	0.0022
014	37220-34650	CABLE TRACTOR METER	1				0	0
014	35240-34650	CABLE TRACTOR METER	1				0	0
015	34200-34700	WIRE DECOMPRESS	1				0	0
015	35240-34700	WIRE DECOMPRESS	1				0.1	0.22
016	99999-99999	BLANK	0				0	0
017	34159-34790	LABEL DECOMPRESS	1				0.002	0.0044
018	34159-34920	LABEL	1				0.002	0.0044
019	34350-29380	CLAMP CORD	1				0.001	0.0022
020	34150-29390	CLAMP CORD	1				0.004	0.0088
021	35151-32410	SWITCH HORN	1	≥53488		(L245-3)	0.025	0.055
022	66591-55300	ASSY HORN	1	≥53488		(L245-3)	0.15	0.33
023	35176-32430	LABEL HORN	1	≥53488		(L245-3)	0.001	0.0022
024	01050-50612	BOLT	2	≥53488		(L245-3)	0.005	0.011
025	04512-50060	WASHER SPRING	2	≥53488		(L245-3)	0	0
026	35114-34380	CLAMP CORD HORN	1	≥53488		(L245-3) NOT SHOWN IN FIG.	0.01	0.022



REF. No. 3 34150-3337-0



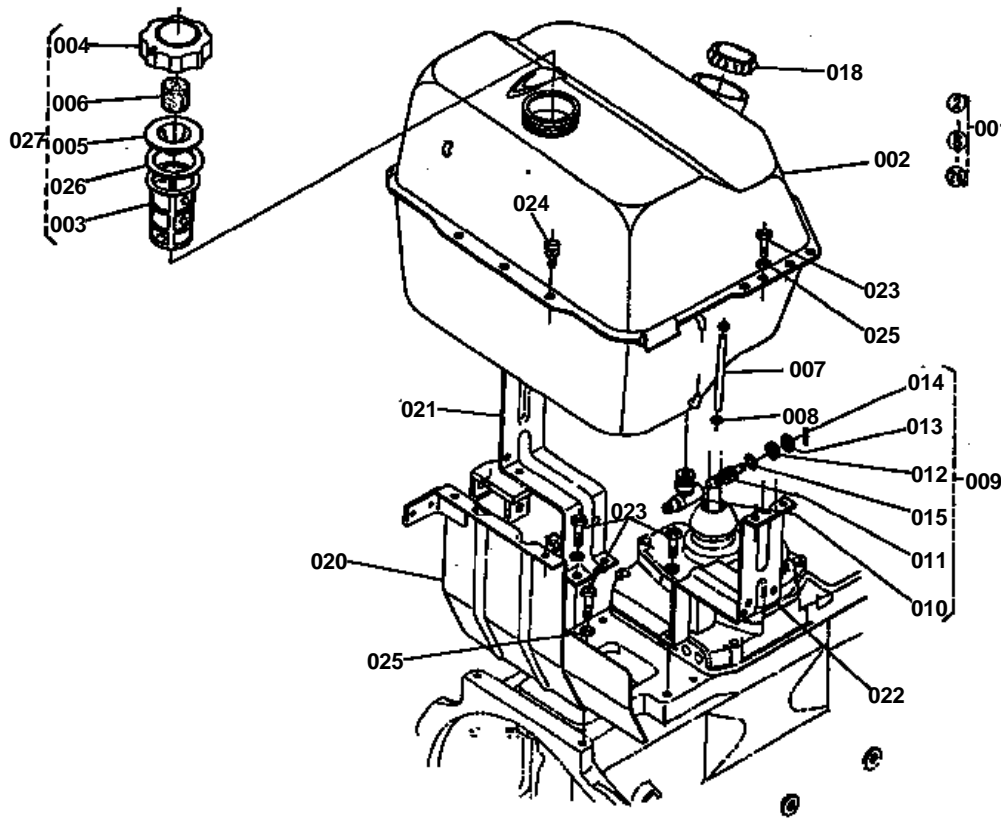
Discontinua.

**ELECTICAL 3**

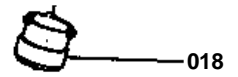
↔ Interchangeable; ≠ not interchangeable; ← new for old; → old for new

REF.No	Part No.	Description	Q'ty	S.No.	I/C	REMARKS	Weight (kgf)	Weight (lb)
001	35110-34400	ASSY WIRE HARNESS	1				0	0
001	35170-34400	ASSY WIRE HARNESS	1	≤53787		(L245-3)	0.74	1.628
001	35170-34402	ASSY WIRE HARNESS	1	≥53788			0.8	1.76
002	35110-34410	WIRE HARNESS	1				0	0
002	35110-34413	WIRE HARNESS	1	≤53787			0.475	1.045
002	35110-34414	WIRE HARNESS	1	≥53788		(L245-3)	0.5	1.1
003	35110-34320	WIRE HARNESS	1				0.21	0.462
004	35110-34330	WIRE HARNESS	1				0.035	0.077
005	35110-34340	WIRE HARNESS	1				0.015	0.033
006	37150-34460	CLAMP CORD	1				0.03	0.066
007	32240-34460	CLAMP CORD	2				0.011	0.0242
008	37150-34470	CLAMP CORD	2				0.004	0.0088
009	37150-34480	CLAMP CORD	1				0.06	0.132
010	01222-50812	BOLT	3				0.009	0.0198
011	04512-50080	WASHER SPRING	3				0	0
012	34150-33350	WASHER	1				0.01	0.022
013	34150-33370	CUSHION	1	≤53707			0.003	0.0066
014	32240-34482	CLAMP CORD	1				0.008	0.0176
015	32240-34490	CLAMP CORD	4				0.003	0.0066
016	35110-34350	CORD	1				0.005	0.011
017	34150-29390	CLAMP CORD	1				0.004	0.0088
018	04013-50060	WASHER PLAIN	1				0	0

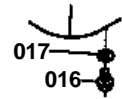
# FUEL TANK



REF. No. 34130-2556-0



REF. No. 06311-25000  
04717-01008



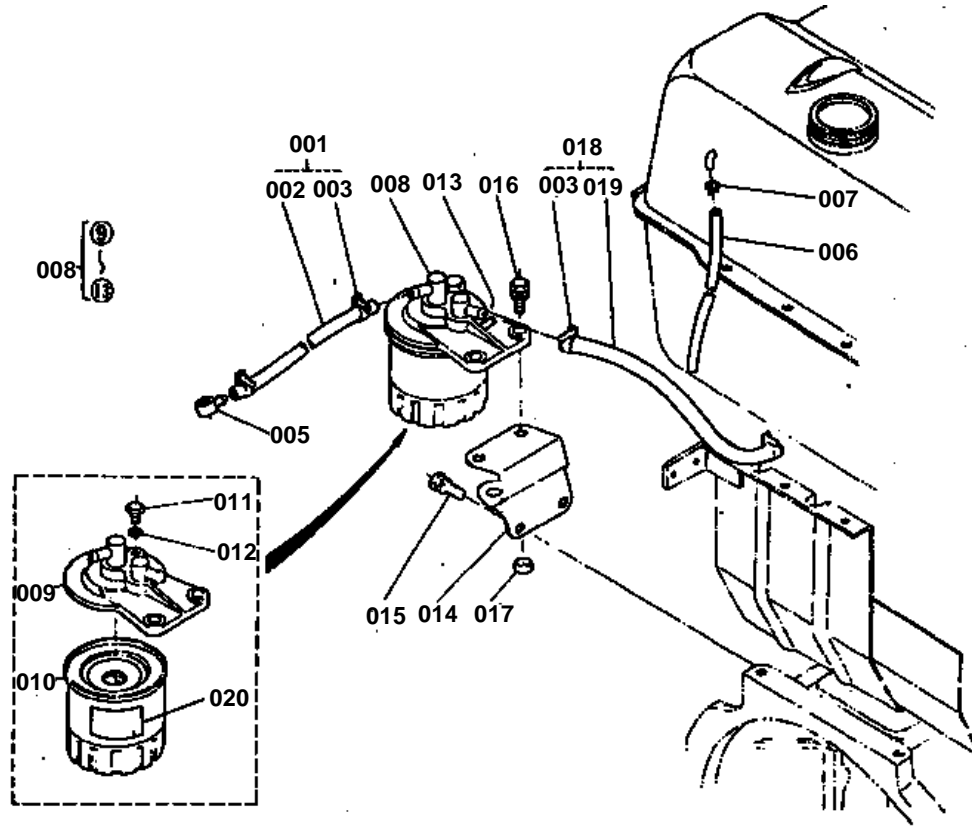
Discontinua.

**FUEL TANK**

↔ Interchangeable; ≠ not interchangeable; ← new for old; → old for new

REF.No	Part No.	Description	Q'ty	S.No.	I/C	REMARKS	Weight (kgf)	Weight (lb)
001	37150-35100	ASSY TANK FUEL	1				6	13.2
002	99999-99999	BLANK	0			ORDER BY REF.No.001	0	0
003	13251-41060	FILTER	1				0.01	0.022
004	99999-99999	BLANK	0			ORDER BY REF.No.027	0	0
005	34150-35230	GASKET	1				0.01	0.022
006	34150-35240	SPONGE	1				0.001	0.0022
007	07935-05740	GAUGE FUEL	1				0	0
008	10013-41770	CLIP PIPE	2				0.005	0.011
009	31220-35400	ASSY COCK FUEL	1				0.11	0.242
010	99999-99999	BLANK	0			ORDER BY REF.No.009	0	0
011	99999-99999	BLANK	0			ORDER BY REF.No.009	0	0
012	32130-35430	ASSY COCK FUEL TANK	1				0.001	0.0022
013	04611-00140	CIR-CLIP INTERNAL	1				0.001	0.0022
014	05411-00330	PIN SPRING	1				0.001	0.0022
015	04811-00080	O RING	1				0.001	0.0022
016	06311-25010	PLUG	1	<=53807			0.014	0.0308
017	04717-01000	WASHER SEAL	1	<=53807			0.001	0.0022
018	34150-35550	BUSH FUEL TANK	1				0.06	0.132
018	37300-35550	BUSH FUEL TANK	1				0.014	0.0308
019	99999-99999	BLANK	0				0	0
020	37150-35270	SUPPORT FUEL TANK	1				0.9	1.98
021	37150-35280	STAY FUEL TANK RH	1	<=53786			0.505	1.111
021	35170-35280	STAY FUEL TANK RH	1	>=53787			0.845	1.859
021	35114-35280	STAY FUEL TANK RH	1	<=53487		(L245-3)	0.53	1.166
021	35114-35285	STAY FUEL TANK RH	1	>=53488			0.84	1.848
022	37150-35290	STAY FUEL TANK LH	1				0.38	0.836
023	01222-50814	BOLT	10				0.009	0.0198
024	01202-50818	BOLT	2				0.012	0.0264
025	04512-50080	WASHER SPRING	10				0	0
026	34150-35180	GASKET	1				0.001	0.0022
027	38240-35200	ASSY CAP	1				0.06	0.132

FUEL FILTER

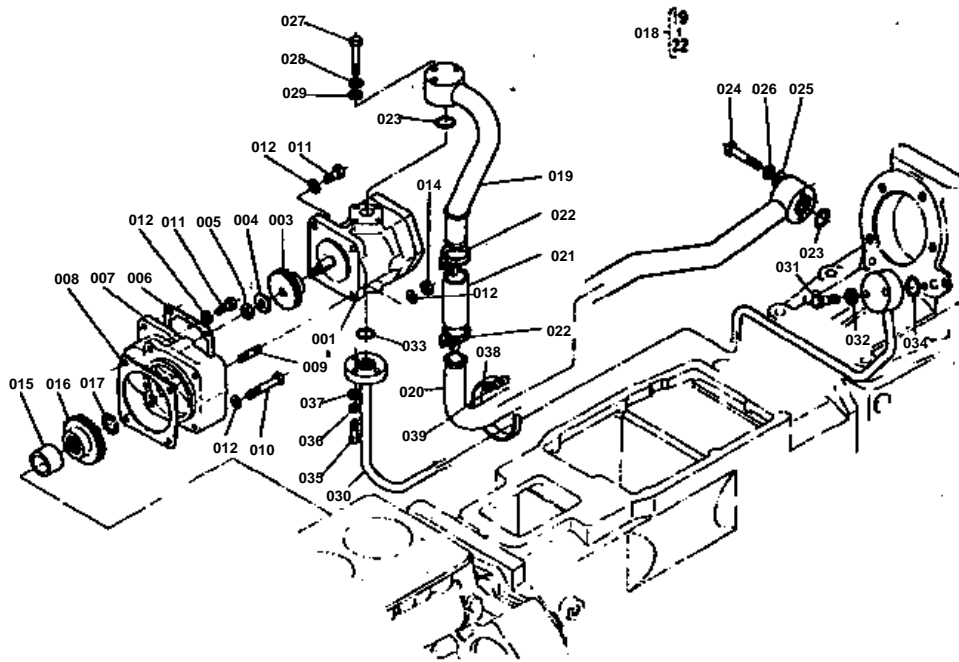




**FUEL FILTER**

↔ Interchangeable; ≠ not interchangeable; ← new for old; → old for new

REF.No	Part No.	Description	Q'ty	S.No.	I/C	REMARKS	Weight (kgf)	Weight (lb)
001	34200-35530	ASSY PIPE FUEL	1				0.055	0.121
002	99999-99999	BLANK	0			ORDER BY REF.No.001	0	0
003	14301-42750	CLIP PIPE	4				0.005	0.011
004	99999-99999	BLANK	0				0	0
005	14111-42410	JOINT FUEL PIPE	1				0.025	0.055
006	34150-35540	PIPE FUEL	1				0.008	0.0176
007	10244-42320	CLIP PIPE	2				0.001	0.0022
008	15221-43010	ASSY FILTER FUEL	1	<=13205			0.556	1.2232
008	15291-43010	ASSY FILTER FUEL	1	>=50001			0.555	1.221
009	15221-43210	COVER FILTER	1	<=13205			0.25	0.55
009	15291-43210	COVER FILTER	1	>=50001			0.23	0.506
010	15221-43080	ELEMENT FILTER	1				0	0
011	14102-43280	PLUG FILTER BREATHER	1				0	0
012	15108-43290	O RING	1				0.001	0.0022
013	15221-87790	MARK FORM	1	<=13205			0.001	0.0022
013	15291-87760	MARK FORM	1	>=50001			0.005	0.011
014	37150-35810	BRACKET FILTER	1	<=53487			0.3	0.66
014	35114-35810	BRACKET FILTER	1	>=53488		(L245-3)	0.335	0.737
015	01120-50822	BOLT	2				0	0
016	01120-50816	BOLT	2				0	0
017	02114-50080	NUT	2				0.005	0.011
018	37150-35500	ASSY PIPE FUEL	1				0.05	0.11
019	99999-99999	BLANK	0			ORDER BY REF.No.018	0	0
020	15291-87760	MARK	1				0.005	0.011



REF. No. 3520-3821-0  
Pipe and flange changed from  
brassy to bottering for mil  
combine.

REF. No. 37150-3510-0  
Diameter of the driving  
shaft bigger than old.

REF. No. 99473-9523-0  
④ 0411-00280  
④ 04512-50080  
④ 01153-50332



REF. No. 04111-00090  
④ 99473-9513-0



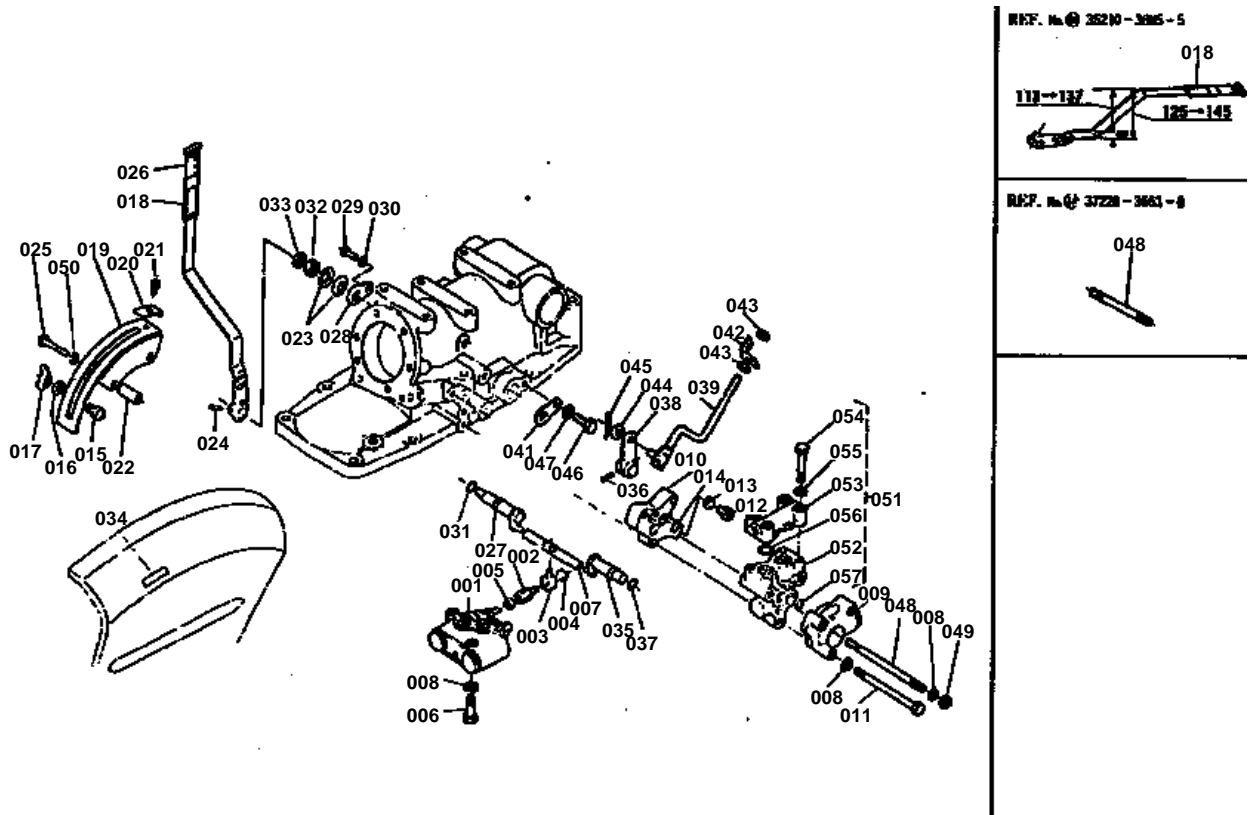
Discontinance.



## OIL PRESSURE 1

↔ Interchangeable; ≠ not interchangeable; ← new for old; → old for new

REF.No	Part No.	Description	Q'ty	S.No.	I/C	REMARKS	Weight (kgf)	Weight (lb)
001	37150-36100	PUMP OIL PRESSURE	1	≤11975			0	0
001	37150-36100	PUMP OIL PRESSURE	1				0	0
001	35110-76101	PUMP OIL PRESSURE	1	≥10001			0	0
002	99999-99999	BLANK	0				0	0
003	34150-37830	GEAR SPUR 30	1				0.165	0.363
004	32270-37890	WASHER CLAW	1				0	0
005	02054-50080	NUT	1				0.005	0.011
006	34150-37870	GASKET	1				0	0
007	34260-37850	HOLDER O/P PUMP	1				1.365	3.003
008	34150-37860	GASKET	1				0	0
009	01513-50820	STUD	2				0	0
010	01153-50855	BOLT	2				0.023	0.0506
011	01153-50822	BOLT	4				0.011	0.0242
012	04512-50080	WASHER SPRING	8				0	0
013	99999-99999	BLANK	0				0	0
014	02114-50080	NUT	2				0.005	0.011
015	34150-37820	COLLAR	1				0.05	0.11
016	34150-37810	GEAR SPUR 38	1				0.225	0.495
017	04612-00250	CIR-CLIP EXTERNAL	1				0.002	0.0044
018	99999-99999	BLANK	0			NON SALE	0	0
019	37220-38120	PIPE INLET	1				0.463	1.0186
020	35110-38130	PIPE INLET	1				0.92	2.024
021	37150-37770	PIPE RUBBER	1				0.035	0.077
022	37150-37780	CLAMP	2				0	0
023	04811-00200	O RING	2				0.001	0.0022
024	01153-50850	BOLT	2				0.02	0.044
025	04013-50080	WASHER PLAIN	2				0	0
026	04512-50080	WASHER SPRING	2				0	0
027	01053-50645	BOLT	3				0.012	0.0264
028	04512-50060	WASHER SPRING	3				0	0
029	04013-50060	WASHER PLAIN	3				0	0
030	35210-38215	ASSY PIPE DELIVERY	1	≤10005			0.85	1.87
030	35210-38210	ASSY PIPE DELIVERY	1	≥50001			0.8	1.76
030	35210-38215	ASSY PIPE DELIVERY	1	≥51281			0.85	1.87
031	01153-50830	BOLT	2				0	0
032	04512-50080	WASHER SPRING	2				0	0
033	04810-00200	O RING	1				0.001	0.0022
034	04810-00120	O RING	1				0.001	0.0022
035	01053-50628	BOLT	3				0.008	0.0176
036	04512-50060	WASHER SPRING	3				0	0
037	04013-50060	WASHER PLAIN	3				0	0
038	37150-38950	BAND PIPE	1				0.02	0.044
038	67111-53770	BAND PIPE	1	≥50001			0.01	0.022
039	33430-82760	PIN PIPE BAND	1				0.004	0.0088
040	99473-95230	COVER FLANGE	1	≤13205			0.524	1.1528
040	99473-95230	COVER FLANGE	1	≤51280			0.524	1.1528
041	04811-00200	O RING	2	≤13205			0.001	0.0022
041	04811-00200	O RING	2	≤51280			0.001	0.0022
042	04512-50080	WASHER SPRING	4	≤13205			0	0
042	04512-50080	WASHER SPRING	4	≤51280			0	0
043	01153-50832	BOLT	4	≤13205			0.015	0.033
043	01153-50832	BOLT	4	≤51280			0.015	0.033
044	04811-00090	O RING	1				0.001	0.0022
045	99473-95130	PLUG O RING	1				0.014	0.0308



**OIL PRESSURE 2**

↔ Interchangeable; ≠ not interchangeable; ← new for old; → old for new

REF.No	Part No.	Description	Q'ty	S.No.	I/C	REMARKS	Weight (kgf)	Weight (lb)
001	37150-36400	VALVE CONTROL	1				1.675	3.685
002	37150-36410	JOINT SPOOL 1	1				0.001	0.0022
003	37150-36420	JOINT SPOOL 2	1				0.02	0.044
004	04613-00060	CIR-CLIP EXTERNAL	1				0	0
005	02112-50080	NUT	1				0.003	0.0066
006	01153-50850	BOLT	3				0.02	0.044
007	37150-36430	LEVER SPOOL DRIVE	1				0.09	0.198
008	04512-50080	WASHER SPRING	6				0	0
009	37150-36600	ASSY VALVE RELIEF	1				0.865	1.903
010	37150-36610	SPACER VALVE	1				0.14	0.308
011	01153-50865	BOLT	2				0.025	0.055
011	35300-36810	BOLT	2				0.048	0.1056
012	06331-35010	PLUG	1				0.012	0.0264
013	04717-01000	WASHER SEAL	1				0.001	0.0022
014	04810-00140	O RING	6				0.001	0.0022
015	32360-36870	STOPPER LEVER	1				0.039	0.0858
016	04013-50100	WASHER PLAIN	1				0	0
017	02870-50100	NUT WING	1				0.015	0.033
018	35210-36850	LEVER CONTROL	1	≤10005			0.16	0.352
018	35210-36854	LEVER CONTROL	1	≥10001			0	0
018	35210-36854	LEVER CONTROL	1	≥50001			0	0
019	37150-36860	GUIDE LEVER	1				0.285	0.627
020	37150-36910	STOPPER	1				0.02	0.044
021	01120-50814	BOLT	1				0	0
022	37150-36870	COLLAR	2				0.02	0.044
023	34260-36880	SPRING	2				0.006	0.0132
024	05411-00525	PIN SPRING	1				0.002	0.0044
025	01150-50845	BOLT	2				0.019	0.0418
026	37150-36890	GRIP LEVER	1				0.035	0.077
027	35110-37650	ARM CONTROL	1				0.01	0.022
028	35110-36890	PLATE SET RH	1				0.006	0.0132
029	01153-50816	BOLT	1				0.01	0.022
030	04512-50080	WASHER SPRING	1				0	0
031	04811-00110	O RING	1				0.001	0.0022
032	02174-50140	NUT	1				0.014	0.0308
033	02172-50140	NUT	1				0.01	0.022
034	35110-36810	MARK CONTROL	1				0	0
034	35176-36980	MARK CONTROL	1	≥50001			0.001	0.0022
035	37150-37670	SHAFT LEVER	1				0.085	0.187
036	05411-00420	PIN SPRING	1				0.001	0.0022
037	04811-00110	O RING	1				0.001	0.0022
038	37150-37680	LEVER	1				0.05	0.11
039	37220-37690	ROD 1	1				0.06	0.132
040	99999-99999	BLANK	0				0	0
041	34260-36890	PLATE SET	1				0.009	0.0198
042	37220-37640	PLATE CONTROL	1				0.025	0.055
043	02114-50080	NUT	2				0.005	0.011
044	04013-50080	WASHER PLAIN	2				0	0
045	05511-50215	PIN SPLIT	2				0.001	0.0022
046	01153-50816	BOLT	1				0.01	0.022
047	04512-50080	WASHER SPRING	1				0	0
048	37220-36630	STUD	1	≤13205			0.025	0.055
048	37220-36630	STUD	1	≥50001			0.025	0.055
048	35300-36820	STUD	1	≥51281			0.05	0.11
049	02114-50080	NUT	1				0.005	0.011
050	04512-50080	WASHER SPRING	2				0	0
051	35300-36700	ASSY BLOCK OIL PRESS	1	≥51281			2	4.4
052	35300-36710	BLOCK OIL PRESSURE	1	≥51281			1.6	3.52
053	35300-36720	COVER OIL PRESSURE B	1	≥51281			0.385	0.847

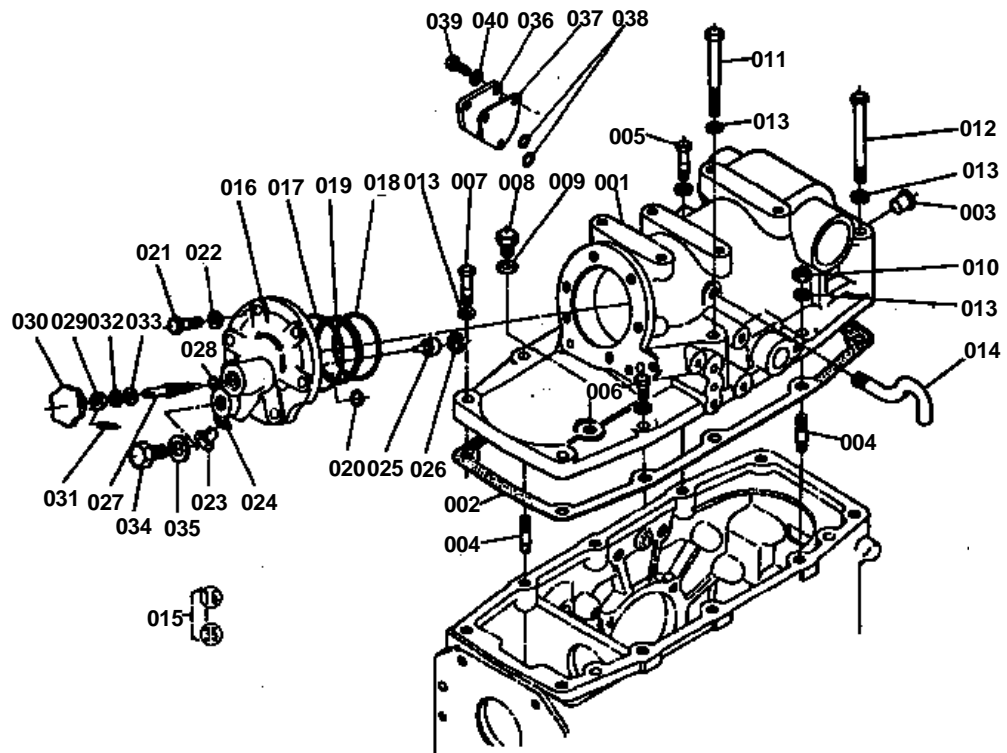


## OIL PRESSURE 2

↔ Interchangeable; ≠ not interchangeable; ← new for old; → old for new

REF.No	Part No.	Description	Q'ty	S.No.	I/C	REMARKS	Weight (kgf)	Weight (lb)
054	01153-50840	BOLT	4	≧51281			0.018	0.0396
055	04512-50080	WASHER SPRING	4	≧51281			0	0
056	04810-00200	O RING	2	≧51281			0.001	0.0022
057	04810-00120	O RING	3	≧51281			0.001	0.0022

O/P CYLINDER



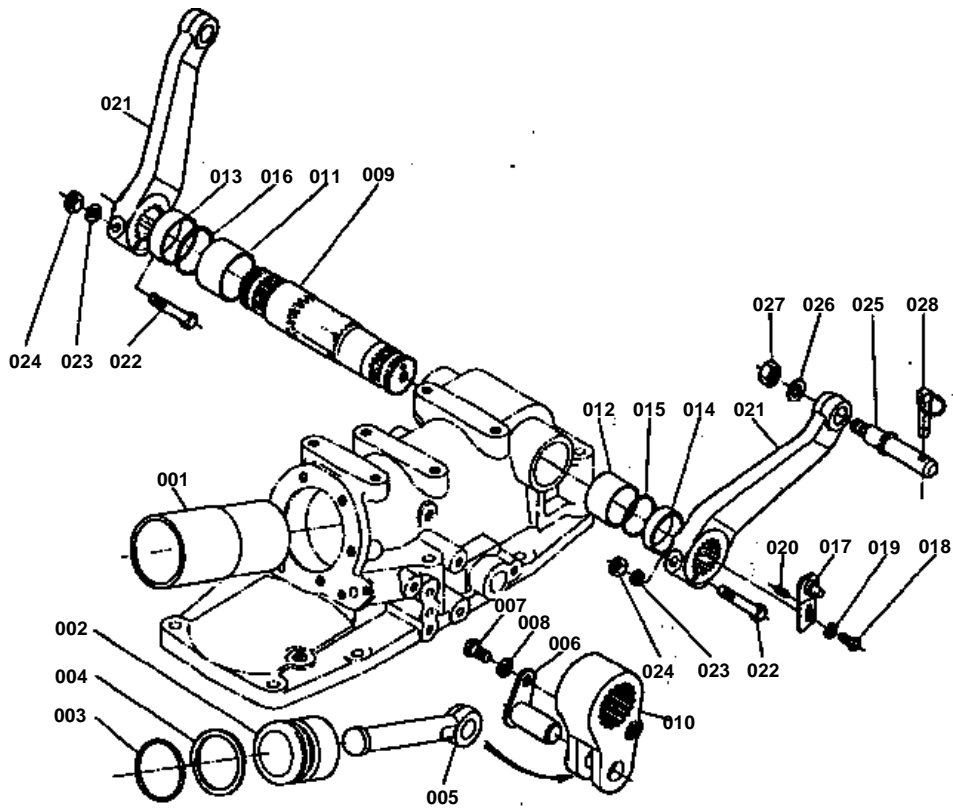
**O/P CYLINDER**

↔ Interchangeable; ≠ not interchangeable; ← new for old; → old for new

REF.No	Part No.	Description	Q'ty	S.No.	I/C	REMARKS	Weight (kgf)	Weight (lb)
001	35210-37110	ASSY CYLINDER	1				20.1	44.22
002	37150-37120	GASKET	1				0	0
003	32210-27580	PLUG	4				0.001	0.0022
004	01574-51230	STUD	2				0.037	0.0814
005	01173-51235	BOLT	1				0.04	0.088
006	01173-51230	BOLT	1				0.037	0.0814
007	01173-51240	BOLT	2				0.045	0.099
008	06311-35030	PLUG	1				0.058	0.1276
009	04717-01700	WASHER SEAL	1				0.003	0.0066
010	02176-50120	NUT	2				0.01	0.022
011	01173-51295	BOLT	2				0.086	0.1892
012	01173-51200	BOLT	2				0.09	0.198
013	04512-50120	WASHER SPRING	10				0	0
014	34260-37270	PIPE BREATHER	1				0.03	0.066
015	37220-37200	ASSY COVER O/P CYLIN	1				3.3	7.26
016	99999-99999	BLANK	0			ORDER BY REF.No.015	0	0
017	04811-50900	O RING	1				0.003	0.0066
018	04811-50700	O RING	1				0.002	0.0044
019	34220-37290	RING BACK UP	1				0.001	0.0022
020	04810-00140	O RING	1				0.001	0.0022
021	01173-51038	BOLT	6				0.028	0.0616
022	04512-50100	WASHER SPRING	6				0	0
023	06331-35010	PLUG	1	>=10001			0.012	0.0264
023	37150-36740	PLUG	1	>=50001			0.025	0.055
024	04724-00100	GASKET	1				0.001	0.0022
025	34150-37250	COLLAR ADJUSTING	1				0.01	0.022
026	04611-00180	CIR-CLIP INTERNAL	1				0.001	0.0022
027	34150-37220	SCREW ADJUSTING	1				0.025	0.055
028	04810-00100	O RING	1				0.001	0.0022
029	09230-08164	SEAL OIL	1				0.001	0.0022
030	34150-37230	GRIP	1				0.04	0.088
031	05411-00418	PIN SPRING	1				0.001	0.0022
032	34150-37260	CIR-CLIP INTERNAL	1				0.001	0.0022
033	04012-50080	WASHER PLAIN	1				0.001	0.0022
034	37150-36730	PLUG	1				0.03	0.066
035	37150-36720	GASKET	1				0.01	0.022
036	34260-37150	COVER	1				0.155	0.341
037	34260-37160	PLATE	1				0.04	0.088
038	04810-00160	O RING	2				0.001	0.0022
039	01153-50818	BOLT	3				0.01	0.022
040	04512-50080	WASHER SPRING	3				0	0



O/P LIFT ARM SYSTEM

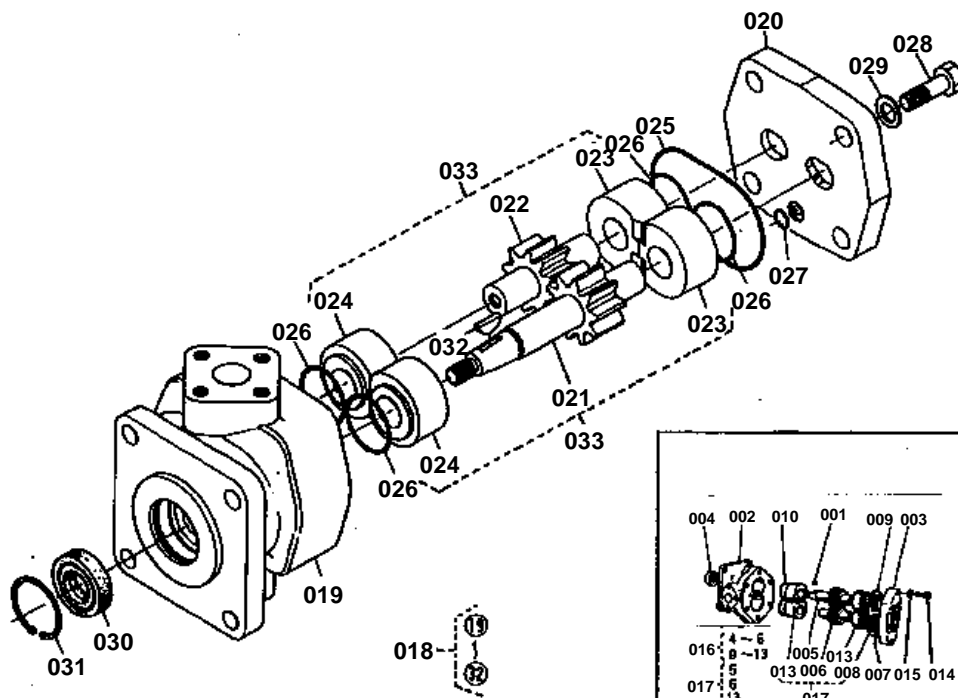


**O/P LIFT ARM SYSTEM**

↔ Interchangeable; ≠ not interchangeable; ← new for old; → old for new

REF.No	Part No.	Description	Q'ty	S.No.	I/C	REMARKS	Weight (kgf)	Weight (lb)
001	37220-37130	LINER CYLINDER	1				1.87	4.114
002	37220-37310	PISTON OIL PRESSURE	1				1.02	2.244
003	04811-00650	O RING	1				0.007	0.0154
004	34220-37380	RING BACK UP	1				0.001	0.0022
005	35210-37320	ROD OIL PRESSURE	1	≤#13205			0.49	1.078
005	35210-37320	ROD OIL PRESSURE	1	>#50001			0.49	1.078
005	37300-37320	ROD OIL PRESSURE	1	>#51281			0.5	1.1
006	32240-37340	PIN SET	1				0.2	0.44
007	01170-51018	BOLT	1				0.017	0.0374
008	04512-50100	WASHER SPRING	1				0	0
009	37220-37430	SHAFT O/P ARM	1				3.3	7.26
010	37220-37440	ARM OIL PRESSURE	1				1.71	3.762
011	32240-37450	BUSH	1				0	0
012	32240-37460	BUSH	1				0	0
013	34220-37480	SPACER O RING 1	1				0.05	0.11
014	32240-37490	COLLAR	1				0.064	0.1408
015	04811-50450	O RING	1				0.002	0.0044
016	04811-50500	O RING	1				0.001	0.0022
017	37150-37660	LINK CONTROL	1				0.025	0.055
018	01153-50816	BOLT	1				0.01	0.022
019	04512-50080	WASHER SPRING	1				0	0
020	05411-00412	PIN SPRING	1				0.001	0.0022
021	37220-37610	ARM LIFT	2				2.1	4.62
022	01173-51275	BOLT	2				0.071	0.1562
023	04512-50120	WASHER SPRING	2				0	0
024	02176-50120	NUT	2				0.01	0.022
025	32240-37690	PIN LIFT ROD	2				0	0
026	04512-50160	WASHER SPRING	2				0	0
027	02174-50160	NUT	2				0.022	0.0484
028	34150-37640	PIN SET	2				0.06	0.132

OIL PRESSURE PUMP



REF. No. ②, ③, ④, ⑤  
Adapted according to  
changed DUMP oil pressure.

REF. No. ⑥  
Discontinance

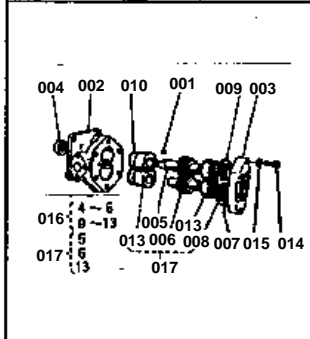
011



REF. No. ⑦ 32270-3615-0  
⑧ 32270-3616-0  
Discontinance

013

012



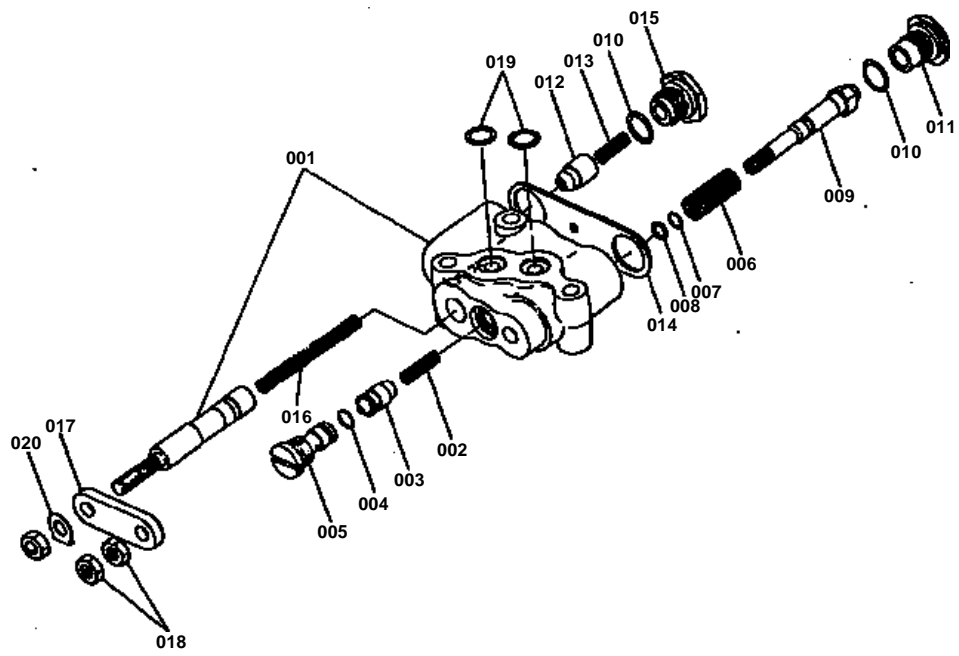
- REF. No. ① 32270-3621-0  
② 37150-3611-0  
③ 37150-3618-0  
④ 37150-3623-0  
⑤ 37150-3612-0  
⑥ 32270-3613-0  
⑦ 32270-3624-0  
⑧ 32270-3625-0  
⑨ 32270-3622-0  
⑩ 32270-3626-0  
⑪ 01311-10825  
⑫ 32270-3615-0  
⑬ 37150-3610-0  
⑭ 01156-50825  
⑮ 04612-60000  
⑯ 34150-2611-0  
⑰ 37150-3620-0

**OIL PRESSURE PUMP**

↔ Interchangeable; ≠ not interchangeable; ← new for old; → old for new

REF.No	Part No.	Description	Q'ty	S.No.	I/C	REMARKS	Weight (kgf)	Weight (lb)
001	32270-36210	KEY WOODRUFF	1	<=27296			0.001	0.0022
002	99999-99999	BLANK	0			ORDER BY REF.No.001 ON FIG.No.048	0	0
002	99999-99999	BLANK	0			ORDER BY REF.No.001 ON FIG.No.048	0	0
003	99999-99999	BLANK	0			ORDER BY REF.No.001 ON FIG.No.048	0	0
003	99999-99999	BLANK	0			ORDER BY REF.No.001 ON FIG.No.048	0	0
004	32270-36230	SEAL OIL	1	<=11675			0.005	0.011
004	37150-36230	SEAL OIL	1	<=27296			0.007	0.0154
005	99999-99999	BLANK	0			NON SALE	0	0
005	99999-99999	BLANK	1	<=27296		ORDER BY REF.No.017	0	0
006	99999-99999	BLANK	0			ORDER BY REF.No.017	0	0
007	32270-36240	RING SUPPORT	2	<=27296			0.005	0.011
008	32270-36250	RING SEERING	2	<=27296			0.001	0.0022
009	32270-36220	O RING	1	<=27296			0.001	0.0022
010	32270-36260	O RING	2	<=27296			0.001	0.0022
011	01311-10825	BOLT HEX-SOC-HD	6	<=11695			0.02	0.044
012	99999-99999	BLANK	0			NON SALE	0	0
013	99999-99999	BLANK	0			ORDER BY REF.No.016	0	0
013	99999-99999	BLANK	1	<=27296		ORDER BY REF.No.016	0	0
014	01156-50825	BOLT	6	<=27296			0.013	0.0286
015	04512-50080	WASHER SPRING	6	<=27296			0	0
016	99999-99999	BLANK	0			ORDER BY REF.No.001 ON FIG.No.052	0	0
017	37150-36200	ASSY BUSH GEAR	1	<=27296			0.635	1.397
018	35110-76100	ASSY GEAR PUMP	1	>=27297			1.9	4.18
019	99999-99999	BLANK	0			ORDER BY REF.No.018	0	0
020	99999-99999	BLANK	0			ORDER BY REF.No.018	0	0
021	99999-99999	BLANK	0			ORDER BY REF.No.033	0	0
022	99999-99999	BLANK	0			ORDER BY REF.No.033	0	0
023	99999-99999	BLANK	0			ORDER BY REF.No.033	0	0
024	99999-99999	BLANK	0			ORDER BY REF.No.033	0	0
025	04810-50550	O RING	1	>=27297			0.002	0.0044
026	38180-76170	O RING	4	>=27297			0	0
027	04810-00050	O RING	1	>=27297			0.001	0.0022
028	01156-51030	BOLT	4	>=27297			0.02	0.044
029	04011-50100	WASHER PLAIN	4	>=27297			0.002	0.0044
030	67211-76190	SEAL OIL	1	>=27297			0	0
031	04611-00280	CIR-CLIP INTERNAL	1	>=27297			0.002	0.0044
032	05811-00313	KEY WOODRUFF	1	>=27297			0.001	0.0022
033	35180-36100	ASSY BUSH GEAR	1	>=27297			0	0

# CONTROL VALVE



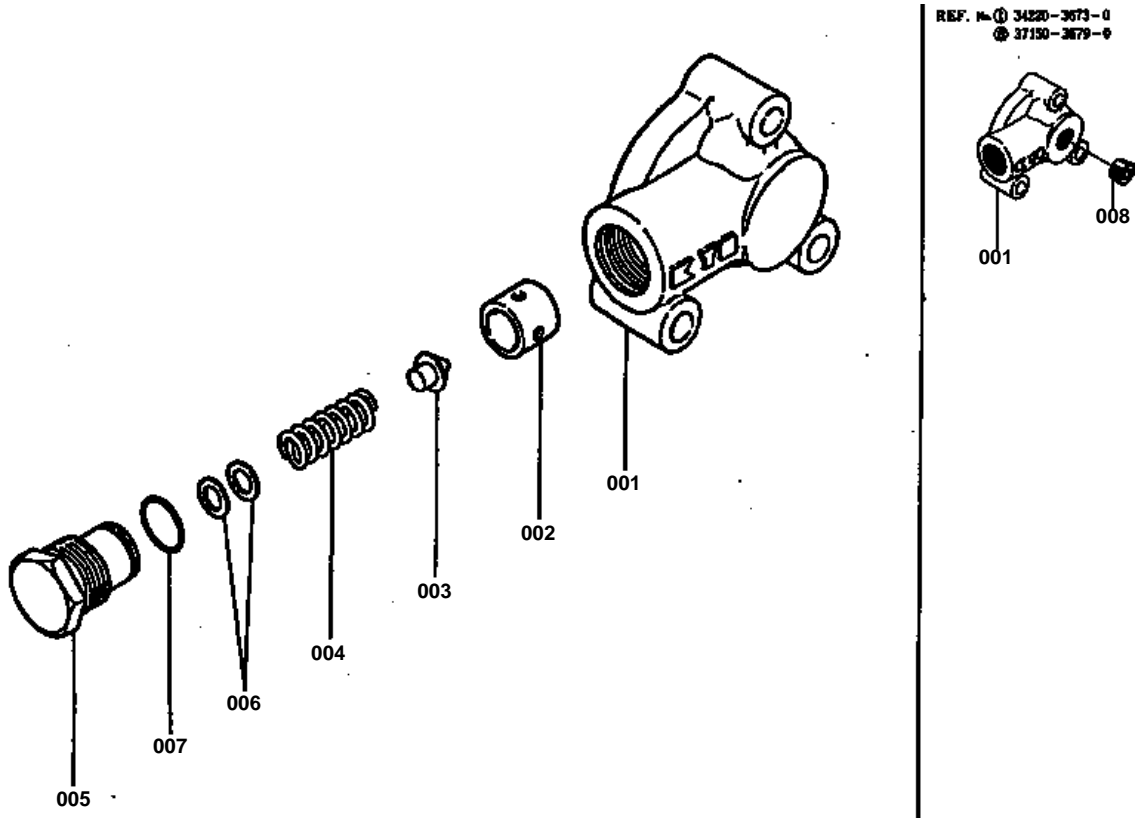


# CONTROL VALVE

↔ Interchangeable; ≠ not interchangeable; ← new for old; → old for new

REF.No	Part No.	Description	Q'ty	S.No.	I/C	REMARKS	Weight (kgf)	Weight (lb)
001	99999-99999	BLANK	0			ORDER BY REF.No.006 ON FIG.No.052	0	0
002	37150-36580	SPRING	1				0.005	0.011
003	37150-36590	VALVE CHEK	1				0.015	0.033
004	04811-00090	O RING	1				0.001	0.0022
005	37150-36440	SEET	1				0.035	0.077
006	37150-36450	SPRING	1				0.005	0.011
007	04811-00070	O RING	1				0.001	0.0022
008	37150-36630	RING BACK UP	1				0.001	0.0022
009	37150-36460	POPPET	1				0.005	0.011
010	04811-00150	O RING	2				0.001	0.0022
011	37150-36470	PLUG SEAT	1				0.04	0.088
012	37150-36480	VALVE UNLOADER	1				0.02	0.044
013	37150-36490	SPRING	1				0.005	0.011
014	37150-36510	PLATE	1				0.035	0.077
015	37150-36520	PLUG	1				0.043	0.0946
016	37150-36530	SPRING RETURN	1				0.01	0.022
017	37150-36540	PLATE	1				0.145	0.319
018	37150-36550	NUT	3				0.005	0.011
019	04811-00120	O RING	2				0.001	0.0022
020	37150-36560	PLATE LOCK	1				0.01	0.022

RELIEF VALVE



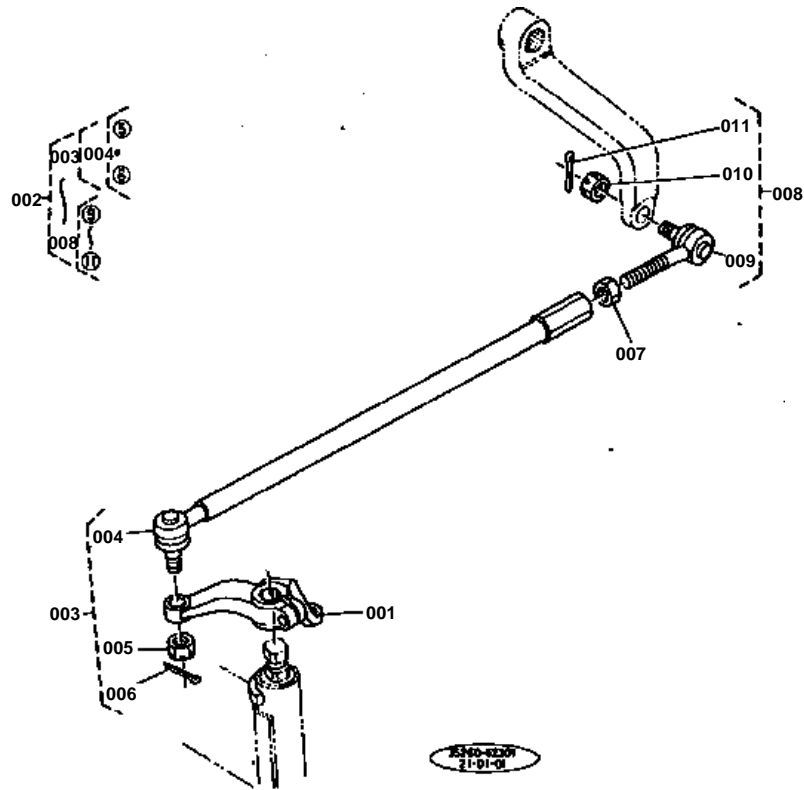
**RELIEF VALVE**

↔ Interchangeable; ≠ not interchangeable; ← new for old; → old for new

REF.No	Part No.	Description	Q'ty	S.No.	I/C	REMARKS	Weight (kgf)	Weight (lb)
001	99999-99999	BLANK	0			ORDER BY REF.No.009 ON FIG.No.053	0	0
002	34220-36740	SEET	1				0.016	0.0352
003	34220-36750	POPPET	1				0.002	0.0044
004	34220-36760	SPRING	1				0.01	0.022
005	34220-36600	PLUG	1				0	0
006	34220-36780	SHIM	1				0.001	0.0022
007	04811-10160	O RING	1				0.001	0.0022
008	37150-36790	PLUG	1	←=11025			0.012	0.0264



DRAG LINK [INTEGRAL POWER STEERING]

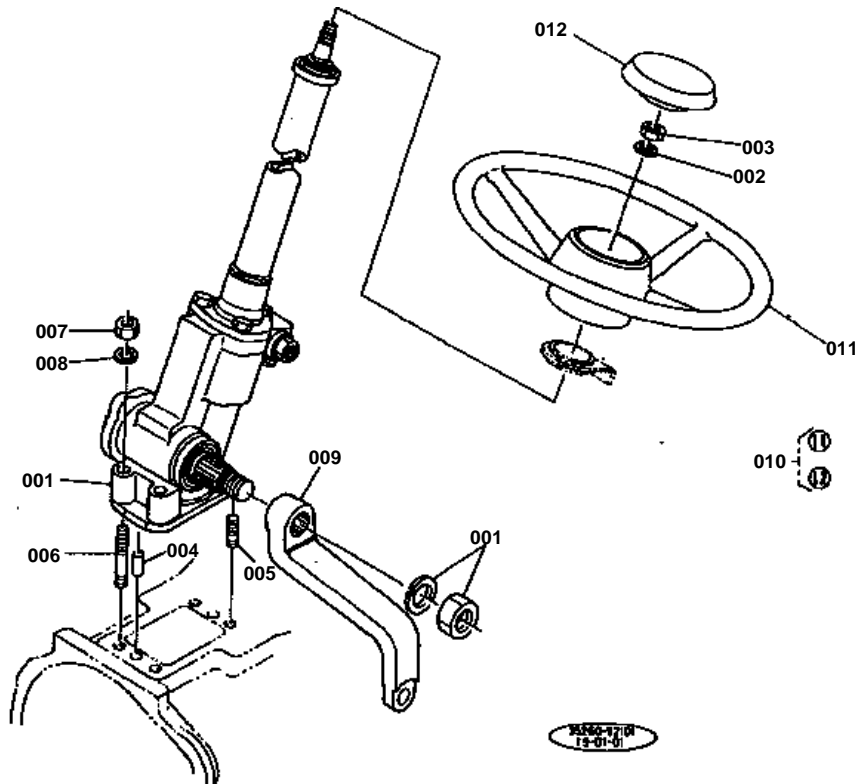




## DRAG LINK [INTEGRAL POWER STEERING]

↔ Interchangeable; ≠ not interchangeable; ← new for old; → old for new

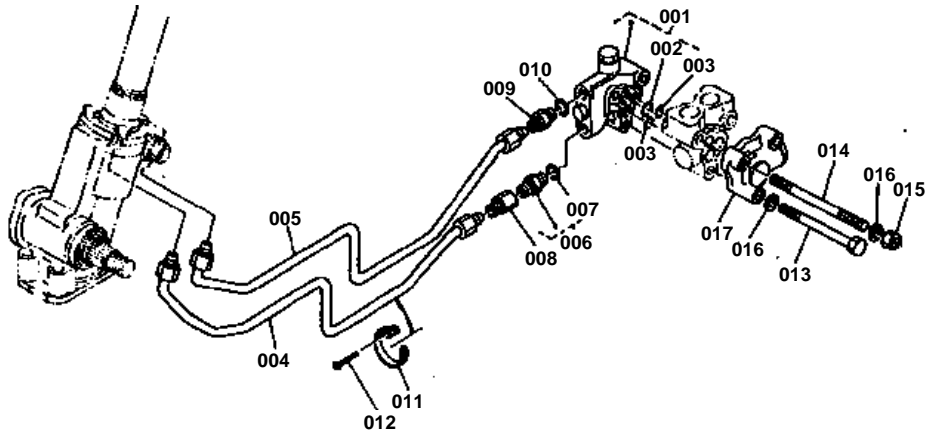
REF.No	Part No.	Description	Q'ty	S.No.	I/C	REMARKS	Weight (kgf)	Weight (lb)
001	35270-11220	ARM KNUCKLE LH	1				1.8	3.96
002	35270-12200	ASSY LINK DRAG	1				0	0
003	35270-12210	LINK DRAG	1				0	0
004	35270-12220	ASSY END DRAG LINK	1				0	0
005	35270-12670	NUT SLOTTED	1				0.014	0.0308
006	05511-50328	PIN SPLIT	1				0.002	0.0044
007	33400-63690	NUT	1				0.063	0.1386
008	35270-12600	ASSY END TIE ROD RH	1				0.5	1.1
009	35270-12610	END TIE ROD RH	1				0	0
010	35270-12670	NUT SLOTTED	1				0.014	0.0308
011	05511-50328	PIN SPLIT	1				0.002	0.0044



**POWER STEERING [INTEGRAL POWER STEERING]**

↔ Interchangeable; ≠ not interchangeable; ← new for old; → old for new

REF.No	Part No.	Description	Q'ty	S.No.	I/C	REMARKS	Weight (kgf)	Weight (lb)
001	35270-16100	ASSY POWER STEERING	1				14.5	31.9
002	04512-50120	WASHER SPRING	1				0	0
003	02174-50120	NUT	1				0.01	0.022
004	37150-27370	PIN STRIGHT	2				0.009	0.0198
005	01517-51030	STUD	2				0	0
006	01517-51090	STUD	2				0	0
007	37300-14190	NUT	4				0.009	0.0198
008	04512-50100	WASHER SPRING	4				0	0
009	35270-16910	ARM PITMAN	1				2.1	4.62
010	66611-41400	ASSY WHEEL STEERING	1				0	0
011	99999-99999	BLANK	0			ORDER BY REF.No.010	0	0
012	66611-41420	CAP HANDLE	1				0.026	0.0572

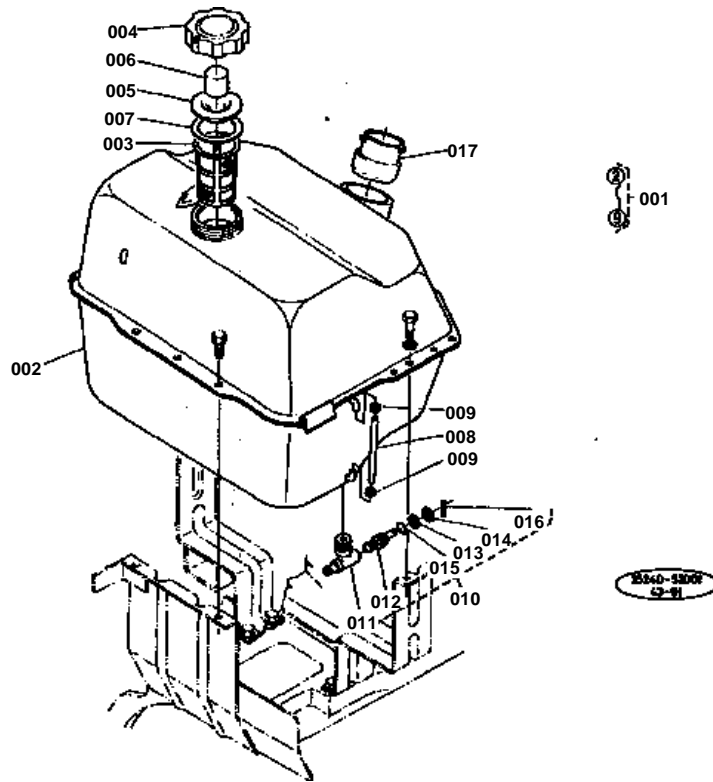


**FLOW PRIORITY VALVE [INTEGRAL POWER STEERING]**

↔ Interchangeable; ≠ not interchangeable; ← new for old; → old for new

REF.No	Part No.	Description	Q'ty	S.No.	I/C	REMARKS	Weight (kgf)	Weight (lb)
001	35270-16710	ASSY VALVE FLOW PRIO	1				1.7	3.74
002	04810-00160	O RING	1				0.001	0.0022
003	04810-00120	O RING	2				0.001	0.0022
004	35270-16720	ASSY PIPE 1	1				0.25	0.55
005	35270-16760	ASSY PIPE 2	1				0.23	0.506
006	35330-16770	ASSY CONNECTOR	1				0.065	0.143
007	04810-00140	O RING	1				0.001	0.0022
008	35330-16790	NIPPLE	1				0.05	0.11
009	35270-16790	PIPE JOINT	1				0.05	0.11
010	04810-00140	O RING	2				0.001	0.0022
011	67111-53770	BAND PIPE	1				0.01	0.022
012	33430-82760	PIN PIPE BAND	1				0.004	0.0088
013	35270-36810	BOLT	2				0.059	0.1298
014	35270-36820	STUD	1				0.65	1.43
015	02114-50080	NUT	1				0.005	0.011
016	04512-50080	WASHER SPRING	3				0	0
017	37150-36600	ASSY VALVE RELIEF	1				0.865	1.903

FUEL TANK [INTEGRAL POWER STEERING]

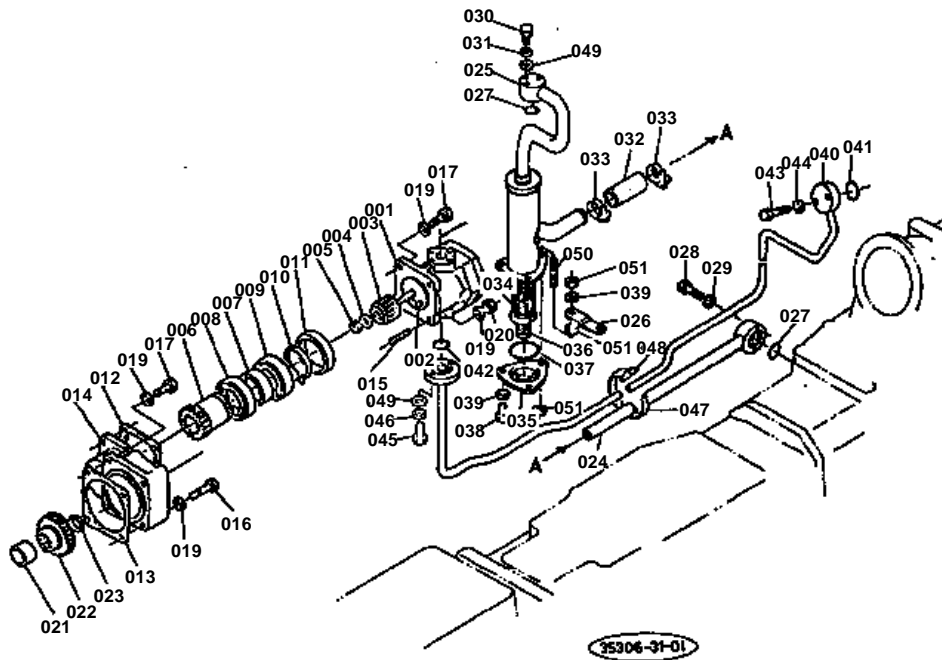


**FUEL TANK [INTEGRAL POWER STEERING]**

↔ Interchangeable; ≠ not interchangeable; ← new for old; → old for new

REF.No	Part No.	Description	Q'ty	S.No.	I/C	REMARKS	Weight (kgf)	Weight (lb)
001	35270-35100	ASSY TANK FUEL	1				5.85	12.87
002	35270-35110	TANK FUEL	1				0	0
003	13251-41600	FILTER	1				0	0
004	34150-35220	CAP	1				0.042	0.0924
005	34150-35230	GASKET	1				0.01	0.022
006	34150-35240	SPONGE	1				0.001	0.0022
007	34150-35180	GASKET	1				0.001	0.0022
008	07935-05740	GAUGE FUEL	1				0	0
009	10013-41770	CLIP PIPE	2				0.005	0.011
010	31220-35400	ASSY COCK FUEL	1				0.11	0.242
011	99999-99999	BLANK	0			ORDER BY REF.No.010	0	0
012	99999-99999	BLANK	0			ORDER BY REF.No.010	0	0
013	32130-35430	WASHER	1				0.001	0.0022
014	04611-00140	CIR-CLIP INTERNAL	1				0.001	0.0022
015	04811-00080	O RING	1				0.001	0.0022
016	05411-00330	PIN SPRING	1				0.001	0.0022
017	37300-35550	BUSH FUEL TANK	1				0.014	0.0308



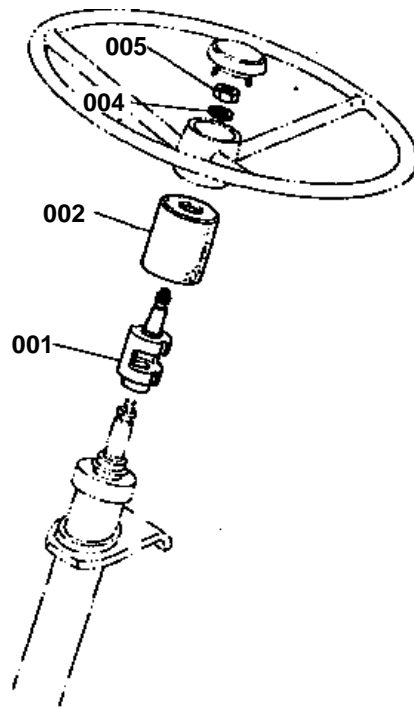




## OIL PRESSURE [INTEGRAL POWER STEERING]

↔ Interchangeable; ≠ not interchangeable; ← new for old; → old for new

REF.No	Part No.	Description	Q'ty	S.No.	I/C	REMARKS	Weight (kgf)	Weight (lb)
001	37150-36100	PUMP OIL PRESSURE	1				0	0
002	32270-36210	KEY WOODRUFF	1				0.001	0.0022
003	37300-37760	BOSS SPLINE	1				0.05	0.11
004	37300-37890	WASHER CLAW	1				0.002	0.0044
005	02156-50080	NUT	1				0.004	0.0088
006	37300-37830	GEAR SPUR	1				0.175	0.385
007	37300-37770	RACE INNER	1				0.07	0.154
008	37300-37780	BEARING NEEDLE	1				0.11	0.242
009	08101-06907	BEARING BALL	1				0.073	0.1606
010	04612-00350	CIR-CLIP EXTERNAL	1				0.01	0.022
011	37300-37790	COLLAR	1				0.025	0.055
012	34150-37870	GASKET	1				0	0
013	34150-37860	GASKET	1				0	0
014	37300-37850	HOLDER O/P PUMP	1				1.365	3.003
015	01513-50822	STUD	2				0.01	0.022
016	01153-50845	BOLT	2				0.018	0.0396
017	01153-50822	BOLT	4				0.011	0.0242
018	04012-50080	WASHER PLAIN	4			NOT SHOWN IN FIG.	0.001	0.0022
019	04512-50080	WASHER SPRING	8				0	0
020	02156-50080	NUT	2				0.004	0.0088
021	34150-37820	COLLAR	1				0.05	0.11
022	37300-37810	GEAR SPUR	1				0.325	0.715
023	04612-00250	CIR-CLIP EXTERNAL	1				0.002	0.0044
024	35270-38110	PIPE INLET	1				1	2.2
025	35270-38120	ASSY CASE FILTER	1				1.05	2.31
026	37260-38180	HOLDER PIPE	1				0.03	0.066
027	04811-00200	O RING	2				0.001	0.0022
028	01153-50850	BOLT	2				0.02	0.044
029	04512-50080	WASHER SPRING	2				0	0
030	01053-50645	BOLT	3				0.012	0.0264
031	04512-50060	WASHER SPRING	3				0	0
032	34350-37770	PIPE RUBBER	1				0	0
033	34350-37780	CLAMP	2				0.02	0.044
034	37300-37710	FILTER OIL	1				0.145	0.319
035	34350-37742	COVER FILTER	1				0.319	0.7018
036	37300-37740	SPRING	1				0.005	0.011
037	04811-50600	O RING	1				0.002	0.0044
038	01153-50820	BOLT	3				0.012	0.0264
039	04512-50080	WASHER SPRING	3				0	0
040	35270-38210	PIPE DELIVERY	1				0.93	2.046
041	04810-00120	O RING	1				0.001	0.0022
042	04810-00200	O RING	1				0.001	0.0022
043	01153-50830	BOLT	2				0	0
044	04512-50080	WASHER SPRING	2				0	0
045	01053-50628	BOLT	3				0.008	0.0176
046	04512-50060	WASHER SPRING	3				0	0
047	33251-82760	BAND PIPE	1				0.016	0.0352
048	33430-82760	PIN PIPE BAND	1				0.004	0.0088
049	04013-50060	WASHER PLAIN	6				0	0
050	37260-38170	STUD	1				0.06	0.132
051	02114-50080	NUT	3				0.005	0.011



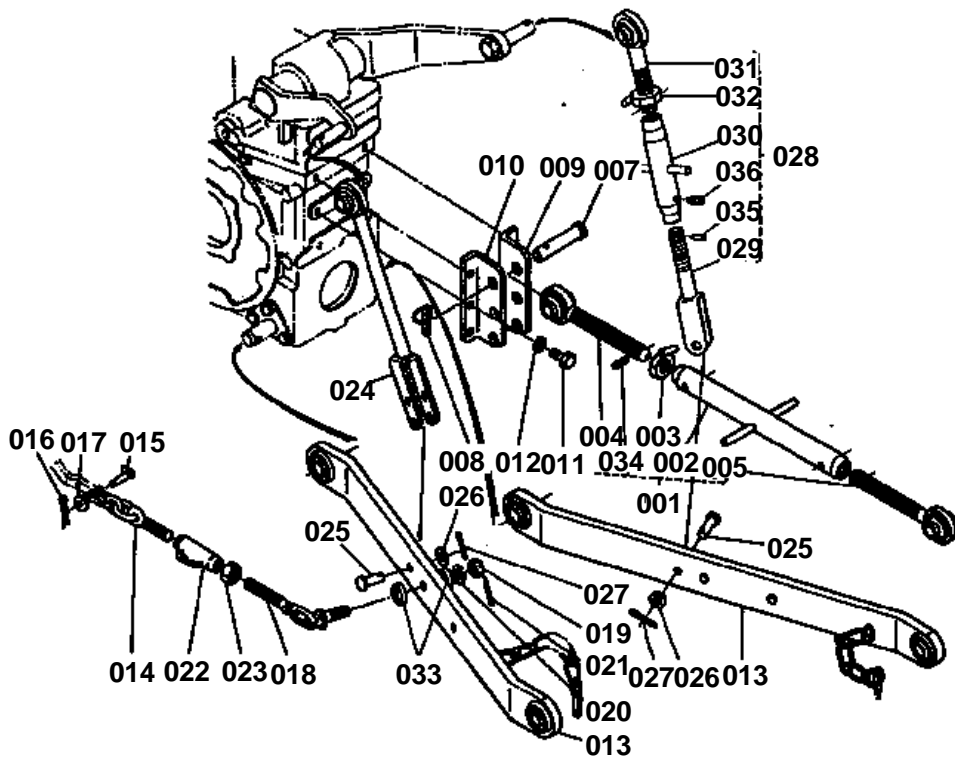
35246-52201  
46-01



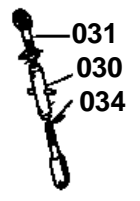
# STEERING JOINT [INTEGRAL POWER STEERING]

↔ Interchangeable; ≠ not interchangeable; ← new for old; → old for new

REF.No	Part No.	Description	Q'ty	S.No.	I/C	REMARKS	Weight (kgf)	Weight (lb)
001	35256-16710	JOINT STEERING	1				1	2.2
002	35256-16720	COVER RUBBER	1				0.071	0.1562
003	99999-99999	BLANK	0				0	0
004	04512-50120	WASHER SPRING	1				0	0
005	37150-15990	NUT	1				0.08	0.176



REF. No. 35119-7152-0  
 35118-7153-0  
 35116-7155-0  
 05411-08422



**3-POINT LINKAGE [3P]**

↔ Interchangeable; ≠ not interchangeable; ← new for old; → old for new

REF.No	Part No.	Description	Q'ty	S.No.	I/C	REMARKS	Weight (kgf)	Weight (lb)
001	99471-22100	ASSY LINK TOP	1				2.91	6.402
002	32244-71110	LINK TOP	1				1.01	2.222
003	32244-71180	NUT TOP LINK	1				0.057	0.1254
004	32244-71210	JOINT TOP LINK RH	1				0.97	2.134
004	35210-71210	JOINT TOP LINK RH	1				0.985	2.167
005	32244-71220	JOINT TOP LINK LH	1				0.97	2.134
005	35210-71210	JOINT TOP LINK LH	1				0.985	2.167
006	99999-99999	BLANK	0				0	0
007	31150-71360	PIN TOP LINK	2				0.166	0.3652
008	34150-37640	ASSY PIN SET	2				0.06	0.132
009	99571-22140	HOLDER TOP LINK RH	1				0.99	2.178
010	99571-22150	HOLDER TOP LINK LH	1				0.99	2.178
011	01173-51225	BOLT	6				0.033	0.0726
012	04512-50120	WASHER SPRING	6				0	0
013	99571-21310	ASSY LINK LOWER	2				6.2	13.64
014	35110-71810	CHAIN CHECK FRONT	2				0.26	0.572
015	99571-22820	PIN	2				0.03	0.066
016	05515-51000	PIN	2				0	0
017	04011-50100	WASHER PLAIN	2				0.002	0.0044
018	35110-71820	CHAIN CHECK REAR	2				0.28	0.616
019	02374-50140	NUT	2				0.015	0.033
020	04512-50140	WASHER SPRING	2				0	0
021	05511-50335	PIN SPLIT	2				0.002	0.0044
022	99511-22840	TURN BUCKLE	2				0.178	0.3916
023	02052-50140	NUT	2				0.018	0.0396
024	35110-71540	ROD LIFT LH	1				1.5	3.3
025	05112-51450	PIN JOINT	2				0.064	0.1408
026	04011-50140	WASHER PLAIN	2				0.007	0.0154
027	05511-50425	PIN SPLIT	2				0.003	0.0066
028	35110-71510	ASSY ROD LIFT RH	1				1.825	4.015
029	35110-71520	ROD LIFT UNDER	1	<=52997			0.67	1.474
029	35110-71523	ROD LIFT UNDER	1	>=52998			0.655	1.441
030	35110-71530	ROD LIFT INNER	1	<=52997			0.58	1.276
030	38187-71770	ROD LIFT INNER	1	>=52998			0.54	1.188
031	35110-71550	ROD LIFT UPPER	1	<=52997			0.58	1.276
031	35110-71552	ROD LIFT UPPER	1	>=52998			0.575	1.265
032	35110-71570	NUT	1				0.05	0.11
033	35110-71830	COLLAR	4				0.078	0.1716
034	05411-00422	PIN SPRING	2	<=52997			0.001	0.0022
034	05411-00320	PIN SPRING	1	>=52998			0.001	0.0022
035	05411-00425	PIN SPRING	2				0.001	0.0022
036	06613-10675	NIPPLE GREASE	1	>=52998			0.003	0.0066

**IMAGE NOT AVAILABLE**



## ACCESSORIES AND SERVICE PARTS

↔ Interchangeable; ≠ not interchangeable; ← new for old; → old for new

REF.No	Part No.	Description	Q'ty	S.No.	I/C	REMARKS	Weight (kgf)	Weight (lb)
001	35110-99120	ASSY CIR-CRIP	1				0.09	0.198
002	35340-21782	CIR-CRIP	2				0.007	0.0154
003	35340-21792	WIRE	2				0.001	0.0022
004	34150-23720	GASKET	1				0	0
005	34650-59140	GASKET	1				0	0
006	35110-99130	INSTRUCTION MANUAL	1				0.015	0.033
007	35220-99110	ASSY WHEEL PLATE	2				2.4	5.28
008	35250-45510	PLATE 1	1				1.34	2.948
009	35250-45520	PLATE 2	1				0.74	1.628
010	01574-51235	STUD	6				0	0
011	35210-99400	ASSY CASE AXLE	1				65	143
012	37220-91290	BEARING BALL	2				0.335	0.737
013	08100-00031	BEARING BALL	2				0.242	0.5324
014	37220-91360	AXLE REAR	2				0	0
014	37220-91362	AXLE REAR	2				6.1	13.42
015	08101-06209	BEARING BALL	4				0.42	0.924
016	37220-27140	COLLAR	2				0.06	0.132
017	34150-27160	SHIM	2				0.01	0.022
018	37220-91340	COLLAR	2				0.16	0.352
019	08101-06307	BEARING BALL (6307)	2				0.44	0.968
020	04611-00850	CIR-CLIP	4				0.029	0.0638
021	70416-51440	NUT 30	2				0.07	0.154
022	01517-51640	STUD	4				0.09	0.198
023	04512-50160	WASHER SPRING	12				0	0
024	02074-50160	NUT	4				0.029	0.0638
025	37220-91382	CASE AXLE RH	1				11.5	25.3
026	37220-91392	CASE AXLE LH	1				12.2	26.84
027	37220-91372	COVER AXLE CASE	2				6.5	14.3
028	37150-27340	GASKET	2				0	0
029	37150-27370	PIN STRAIGHT	4				0.009	0.0198
030	04512-50120	WASHER SPRING	24				0	0
031	02176-50120	NUT	6				0.01	0.022
032	37150-27390	BOLT	4				0.02	0.044
033	02118-50100	NUT	4				0.005	0.011
034	04512-50100	WASHER SPRING	46				0	0
035	06331-35016	PLUG	2				0.04	0.088
036	04717-01600	WASHER SEAL	2				0.003	0.0066
037	37150-27560	SEAL OIL	2				0.14	0.308
038	37150-27160	SHIM	2				0.007	0.0154
039	35210-99300	ASSY GEAR HIGH-SPEED	1				0	0
040	35210-99310	GEAR 39	1				0.545	1.199
041	35210-99320	GEAR 21-48	1				0.98	2.156
042	35300-24110	FORK SHIFT	1				0.2	0.44
043	05411-00632	PIN SPRING	1				0.004	0.0088
044	04811-00150	O RING	1				0.001	0.0022
045	35210-99330	LABEL	1				0.005	0.011
046	34150-14140	GASKET	2				0	0
047	37150-37120	GASKET	1				0	0
048	37260-28160	GASKET	2				0	0